

★ FEATURES

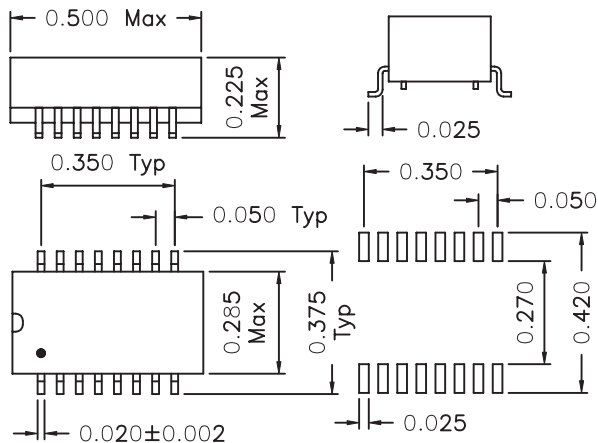
- ◆ Meets IEEE 802.3 Specification
- ◆ Fully intergrated for Adapter,Hub,motherboard etc.
- ◆ Compact symmetrical size facilitates chip shooter placement and reduces manufacturing time

★ ELECTRICAL SPECIFICATIONS @25°C

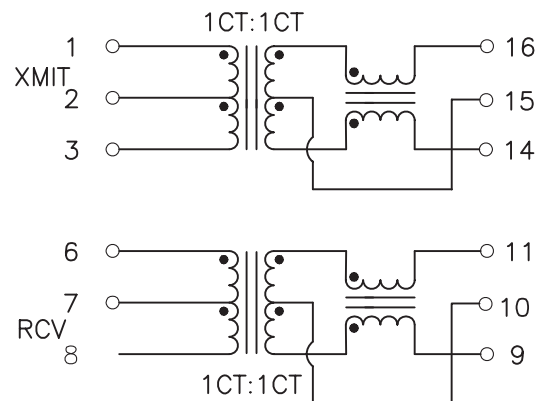
- 1、 Isolation Hipot:1500Vrms PRI:SEC
- 2、 Turn ratio : TX=1CT:1CT;RX=1CT:1CT
- 3、 OCL(μ H,Min):350 μ H,/100KHz/0.1Vrms at 8mA Bias
- 4、 Leakage Inductance (1MHz): 0.4 μ H (Max)
- 5、 CMRR(0.1-100MHz):-37dB (Min)
- 7、 DCR: 0.9 Max
- 8、 Return Loss: -12dB ~ -19dB9
- 9、 Insertion Loss: -1.1dB (Max) at 1MHz~100MHz



★ MECHANICALS (INCHES)



★ SCHEMATIC



★ APPLICATION

