

7. MS 系列圆形电连接器



MS 系列仿美军标电连接器被广泛应用于电子设备，仪器仪表间的电连接。产品符合 MIL-C-5015 标准，完全通用国外同类产品。产品具有重量轻,规格多,铝合金壳体,螺纹连接,良好的密封性能,耐腐蚀,良好的导电性能和机械强度，是国外同类产品的理想替代产品。

型号命名

MS 3106 A 16S - 1 S W
 1 2 3 4 5 6 7

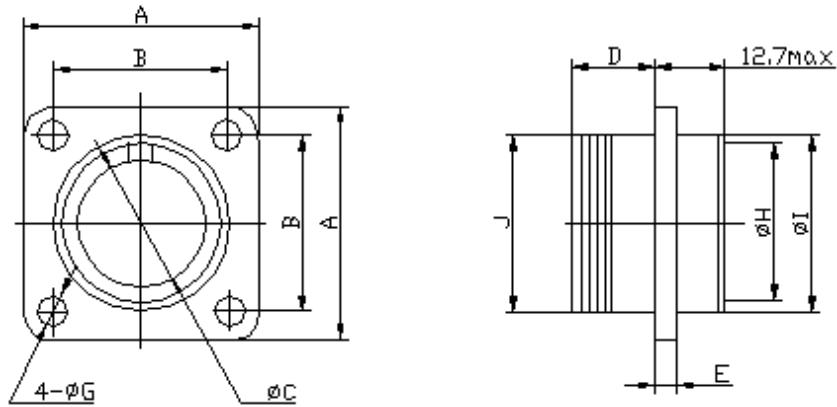
- 1.主称代号：MS 系列电连接器
- 2.连接器类型：3100：带方形法兰的电缆插座；3101：圆形法兰式电缆插座；3102：方形法兰插座，3106：直式插头，3108：弯式插头
- 3.等级：A:整体套管,B:分瓣套管
- 4.壳体号：10S,12S,14S,16S,18,20,22,24,28,32,36,40
- 5.接触件型谱号
- 6.接触件类型：P:针，S:孔
- 7.键位变换：W,X,Y,Z，无标志:正常键位

技术条件

工作温度	机械寿命	工作环境	耐电压	绝缘电阻
-55° C~+125° C	500 次	常温	2000V	≥3000MΩ

接触件代号	接触件直径	焊杯孔直径	额定电流	电压	插拔力	接触电阻
16#	1.6	Ø2mm	13A	500V	0.95Kg	≤1.1mΩ
12#	2.4	Ø3mm	23A		1.58Kg	≤0.6mΩ
8#	3.6	Ø5.2mm	46A		3.17Kg	≤0.2mΩ
4#	5.7	Ø8.5mm	80A		4.76Kg	≤0.1mΩ
0#	9.1	Ø12.0mm	150A		6.35Kg	≤0.05mΩ

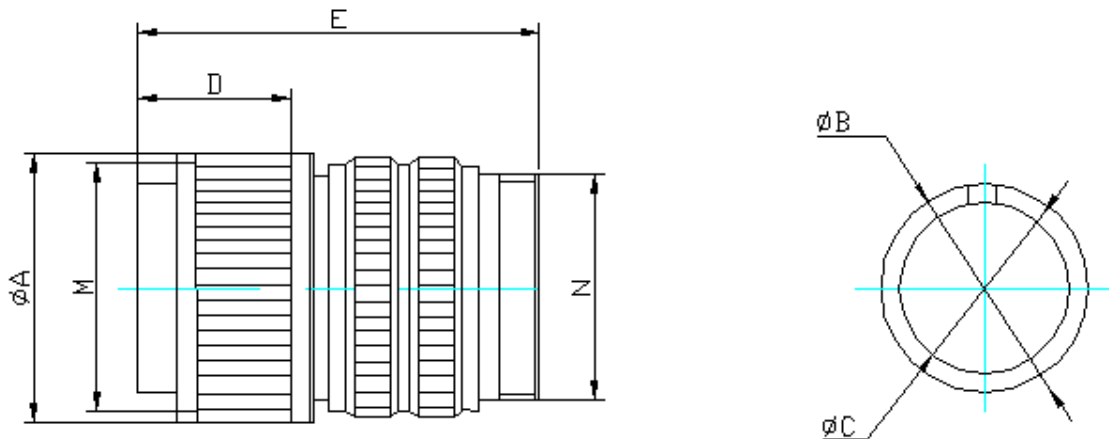
插座外形及安装尺寸

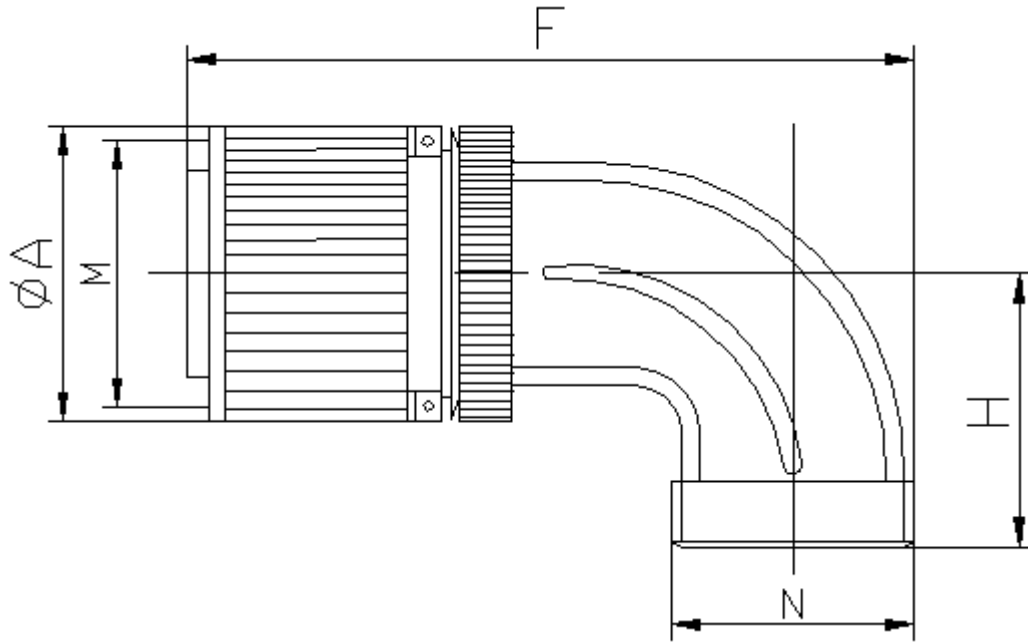


壳体号	A	B	φC	D	E	φG	φI	φI(2)	J 螺纹
10SL	25.40	18.26	11.38	14.28	3	3.05	16.66	15.40	$5/8$ -24UNEF
12S	27.79	20.62	14.15				19.35	17	$3/4$ -20UNEF
14S	30.18	23.01	17.33				23.01	21	$7/8$ -20UNEF
16S	32.54	24.61	20.50				26.21	24	1-20 UNEF
18	34.93	26.97	23.68	19.05	4	3.05	29.36	25	$1\frac{1}{8}$ -18UNEF
20	38.10	29.36	26.88				32.56	29.30	$1\frac{1}{4}$ -18UNEF
22	41.28	31.75	30.03				35.71	32.10	$1\frac{3}{8}$ -18UNEF
24	44.45	34.93	33.20				37	37	$1\frac{1}{2}$ -18UNEF
28	50.80	39.67	38.77	20.63	22.23	4.39	45.26	43	$1\frac{3}{4}$ -18UNEF
32	57.15	44.45	45.12	51.61			49	2-18 UNS	
36	63.50	49.23	50.68	57.96			56	$2\frac{1}{4}$ -16 UN	
40	69.85	55.58	57.03	64.31			62	$2\frac{1}{2}$ -16 UN	



插头外形及安装尺寸





壳体号	ΦA	ΦB	ΦC	E	F	H	M 螺纹	N 螺纹
10SL	24.61	11.17	8.21	38.88	44.45	25.40	$5/8$ -24 UNEF	$5/8$ -24 UNEF
12S	26.97	14.10	11.43	42.87	50.80	26.97	$3/4$ -20 UNEF	$3/4$ -20 UNEF
14S	29.36	17.15	13.37		53.97	28.57	$7/8$ -20 UNEF	$3/4$ -20 UNEF
16S	31.75	20.45	16.54		60.32	30.17	1-20 UNEF	$7/8$ -20 UNEF
18	34.13	23.62	19.72		52.37	33.32	$1 1/8$ -18 UNEF	1-20 UNEF
20	37.31	26.67	23.68	55.57	76.98	34.92	$1 1/4$ -18 UNEF	$1 3/16$ -18 UNEF
22	40.48	29.85	26.07	55.57	76.98	34.92	$1 3/8$ -18 UNEF	$1 3/16$ -18 UNEF
24	43.66	33.02	29.24	58.72	86.51	39.67	$1 1/2$ -18 UNEF	$1 7/16$ -18 UNEF
28	50.01	38.61	34.80	58.72	86.51	39.67	$1 3/4$ -18 UNEF	$1 7/16$ -18 UNEF
32	56.36	44.96	41.15	61.92	95.25	47.62	2-18 UNS	$1 3/4$ -18 UNS
36	62.71	50.29	46.69		100.02	52.37	$2 1/4$ -16 UN	2-18 UNS
40	69.06	56.64	52.25		100.02	53.97	$2 1/2$ -16 UN	$2 1/4$ -16 UNS



线夹 MS3057

壳体号	型号	适配护套	M thread	配最大线径
10SL	MS3057-4A	MS3420-4	$5/8$ -24 UNEF-2B	7.92
12S	MS3057-4A	MS3420-4		7.92
14S	MS3057-6A	MS3420-6	$3/4$ -20 UNEF-2B	11.13
16S	MS3057-8A	MS3420-8	$7/8$ -20 UNEF-2B	14.27
18	MS3057-10A	MS3420-10	1-20 UNEF-2B	15.88
20	MS3057-12A	MS3420-12	$1 3/16$ -18 UNEF-2B	19.05
22	MS3057-12A	MS3420-12	$1 3/16$ -18 UNEF-2B	19.05

24	MS3057-16A	MS3420-16,-12	1 ⁷ / ₁₆ -18 UNEF-2B	23.83
28	MS3057-16A	MS3420-16,-12	1 ⁷ / ₁₆ -18 UNEF-2B	23.83
32	MS3057-20A	MS3420-20,-16	1 ³ / ₄ -18 UNS-2B	31.75
36	MS3057-24A	MS3420-24,-20	2-18 UNS-2B	34.92
40	MS3057-28A	MS3420-28,-24,20	2 ¹ / ₄ -16 UNS-2B	41.28

接点型谱

型谱号	接触件数	型谱号	接触件数	型谱号	接触件数
*12S-3	*2-16#	*20-3	*3-12#	22-12	3-16#, 2-8#
14S-2	4-16#	20-4	4-12#	*22-13	*1-16#, 4-12#
*14S-5	*5-16#	*20-7	*8-16#	22-14	19-16#
14S-6	6-16#	*20-8	*4-16#, 2-8#	*22-15	*1-16#, 5-12#
*14S-9	*2-16#	*20-14	*3-12#, 2-8#	*22-17	*8-16#, 1-12#
16S-1	7-16#	20-15	7-12#	*22-18	*8-16#
16S-4	2-16#	20-16	7-16#, 2-12#	*22-19	*14-16#
16S-5	3-16#	*20-17	*1-16#, 5-12#	*22-20	*9-16#
*16S-6	*3-16#	20-18	6-16#, 3-12#	22-22	4-8#
16S-8	5-16#	*20-19	*3-8#	22-23	8-12#
18-1	10-16#	*20-22	*3-16#, 3-8#	*22-27	8-16#, 1-8#
*18-3	*2-12#	*20-23	*2-8#	*22-28	7-12#
18-4	4-16#	*20-24	*2-16#, 2-8#	*24-2	*7-12#
*18-5	*1-16#, 2-12#	20-27	14-16#	*24-5	*16-16#
18-8	7-16#, 1-12#	20-29	17-16#	*24-6	*8-12#
*18-9	*5-16#, 2-12#	*22-2	*3-8#	*24-7	*14-16#, 2-12#
18-10	4-12#	*22-4	*2-12#, 2-8#	24-10	7-8#
18-11	5-12#	*22-5	*4-16#, 2-12#	24-11	6-12#, 3-8#
*18-22	*6-16#	*22-6	*1-16#, 2-8#	*24-20	*9-16#, 2-12#
*18-13	*3-12#, 1-8#	*22-9	*3-12#	24-22	4-8#
*18-15	*4-12#	*22-10	*4-16#	*24-27	*7-16#
18-29	5-16#	*22-11	*2-16#	24-28	24-16#
28-1	6-12#, 3-8#	*28-2	12-16#, 2-12#	*28-9	*6-16#, 6-12#
*28-11	*18-16#, 4-12#	*28-12	*26-16#	*28-15	*35-16#
*28-16	*20-16#	*28-17	15-16#	*28-19	6-16#
*28-20	*4-16#, 10-12#	28-21	37-16#	*28-22	3-16#, 3-4#
32-5	2-0#	*32-8	*24-16#, 6-12#	32-15	6-12#, 2-0#

32-17	4-4#	36-5	4-0#	36-6	4-4#, 2-0#
36-10	48-16#	36-15	35-16#	*40-10	16-16#, 9-8#, 4-4#
*40-56	*85-16#	10SL-3	3-16#	10SL-4	2-16#
14S-7	3-16#	12S-52	4-16#		

注：打*的型号暂无，量大可开发（一般 30 天内）

杭州开普电子有限公司 <http://www.kpue.com>, www.kpue.net, www.connectors.cn

通用网址：航空插头，电连接器，开普

电话：0571-85386101 手机：13588034590

传真：0571-85350139 电子邮箱：HZKAIPU@YAHOO.COM.CN

地址：中国杭州市下城区科技园费家塘路 588 号 2 栋 3 层。 邮编：310004

Hangzhou Kaipu Electronic Technique Co., Ltd. <http://www.kpue.com>, www.kpue.net

Tel: 86-571-85386101 Mobile: 13588034590

Fax: 86-571-85350139 E-mail: HZKAIPU@YAHOO.COM.CN

Address: No. 588-2 of Feijiatang Road, 3rd floor, Xiacheng science Park, Hangzhou City, Zhejiang, China. Postcode: 310004

MIL-C-5015 Series circular connectors



Products introduction

MS series circular connectors are used extensively in line connections between electrical equipment, various instruments and meters. These connectors meet the standard MIL-C-5015, have the features of light weight, aluminium alloy material, wide range, threaded coupling, good sealing performance, resistance against corrosion, high conductivity and high dielectric strength. It's the ideal product to replace the MIL-C-5015 series. They are interchangeable with the same category each other.

Product Ordering

MS 3106 A 16S - 1 S W
 1 2 3 4 5 6 7

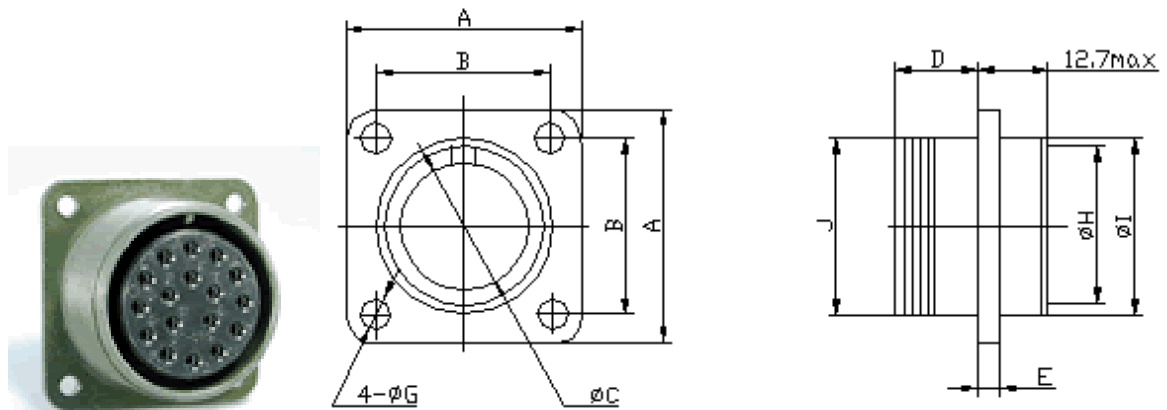
1. Name of series: MS series connectors
2. Type: 3100: Square flange receptacle with cable shell; 3101: circular flange receptacle with cable shell; 3102: Square flange receptacle; 3106: Plug; 3108: angled plug.
3. Degree: A: Entire, B: Can be released
4. Shell type: 8S, 10S, 12S, 14S, 16S, 18, 20, 22, 24, 28, 32, 36, 40
5. Contacts position type
6. Type of contacts: P: Pin, S: Socket
7. Key position: W, X, Y, Z, Without note: Normal position

Technical characteristics

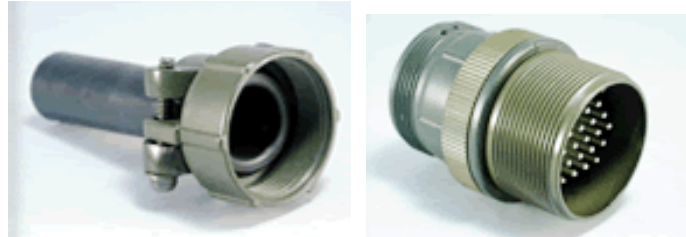
Temperature	Endurance	Environment	Voltage proof	Insulation resistance
-55° C~+125° C	500 cycles	Normal	2000V	≥3000MΩ

Contact type	Solder termination Ø	Current	Voltage	Contact resistance
16#	Ø2mm	13A	500V	≤1.1mΩ
12#	Ø3mm	23A		≤0.6mΩ
8#	Ø5.2mm	46A		≤0.2mΩ
4#	Ø8.5mm	80A		≤0.1mΩ

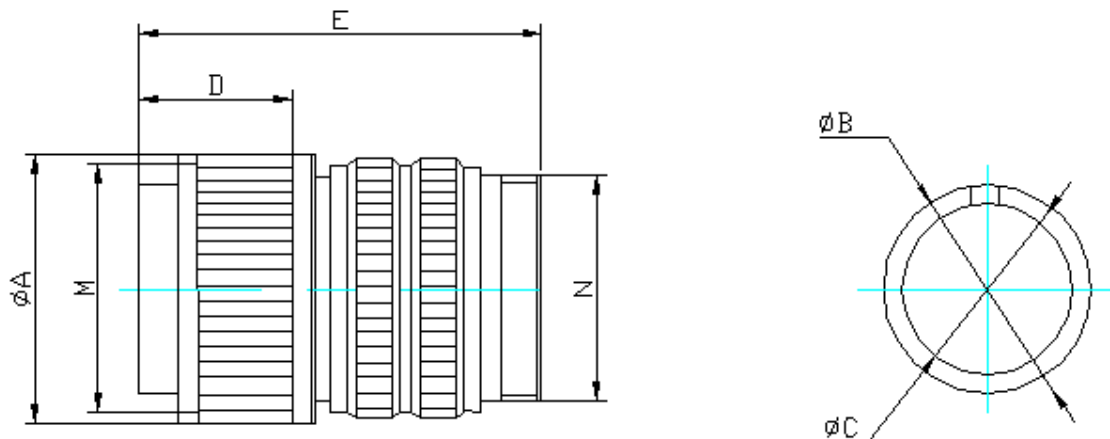
Dimensions and outlook

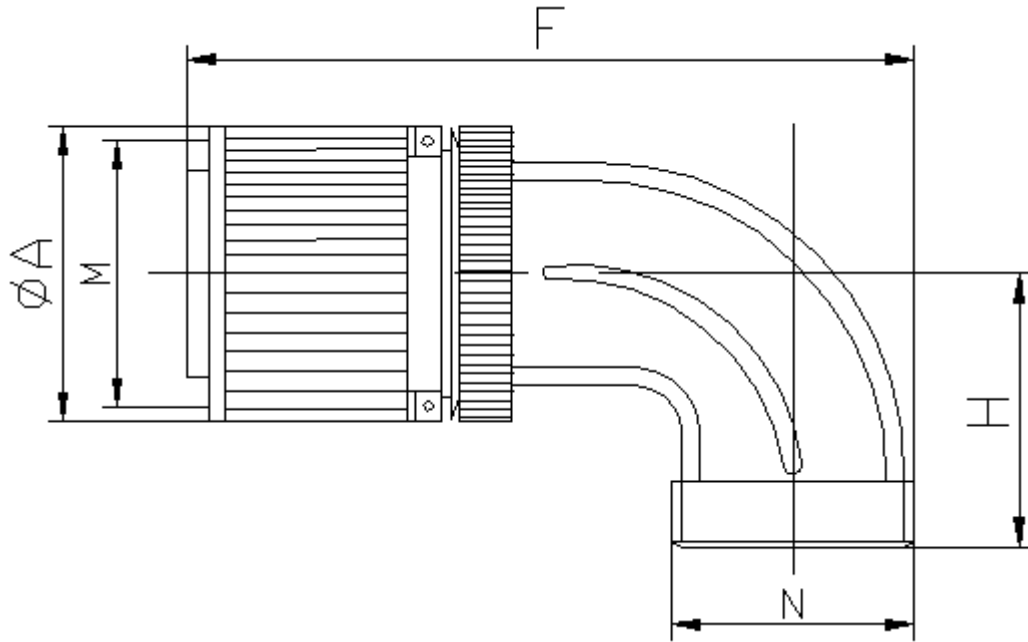


Shell	A	B	ΦC	D	E	ΦG	ΦI	ΦI(2)	J thread
8S	23	15.10	9.40	14.28	3	3.05	13.50	12	1/2-28UNEF
10SL	25.40	18.26	11.38				16.66	15.4	5/8-24UNEF
12S	27.79	20.62	14.15				19.35	17	3/4-20UNEF
14S	30.18	23.01	17.33				23.01	21	7/8-20UNEF
16S	32.54	24.61	20.50				26.21	24	1-20 UNEF
18	34.93	26.97	23.68	19.05	4	3.05	29.36	25	1 1/8-18UNEF
20	38.10	29.36	26.88				32.56	29.30	1 1/4-18UNEF
22	41.28	31.75	30.03	20.63	4	3.73	35.71	31.10	1 3/8-18UNEF
24	44.45	34.93	33.20				38.91	37	1 1/2-18UNEF
28	50.80	39.67	38.77				45.26	43	1 3/4-18UNEF
32	57.15	44.45	45.12	22.23	4	4.39	51.61	49	2-18 UNS
36	63.50	49.23	50.68				57.96	56	2 1/4-16 UN
40	69.85	55.58	57.03				64.31	62	2 1/2-16 UN



Dimensions





Shell	Φ A	Φ B	Φ C	E	F	H	M thread	N thread
10SL	24.61	11.17	8.21	38.88	44.45	25.40	$5/8$ -24 UNEF	$5/8$ -24 UNEF
12S	26.97	14.10	11.43	42.87	50.80	26.97	$3/4$ -20 UNEF	$5/8$ -24 UNEF
14S	29.36	17.15	13.37		53.97	28.57	$7/8$ -20 UNEF	$3/4$ -20 UNEF
16S	31.75	20.45	16.54		60.32	30.17	1-20 UNEF	$7/8$ -20 UNEF
18	34.13	23.62	19.72	52.37	68.27	33.32	$1\frac{1}{8}$ -18 UNEF	1-20 UNEF
20	37.31	26.67	23.68	55.57	76.98	34.92	$1\frac{1}{4}$ -18 UNEF	$1\frac{3}{16}$ -18 UNEF
22	40.48	29.85	26.07	55.57	76.98	34.92	$1\frac{3}{8}$ -18 UNEF	$1\frac{3}{16}$ -18 UNEF
24	43.66	33.02	29.24	58.72	86.51	39.67	$1\frac{1}{2}$ -18 UNEF	$1\frac{7}{16}$ -18 UNEF
28	50.01	38.61	34.80	58.72	86.51	39.67	$1\frac{3}{4}$ -18 UNEF	$1\frac{7}{16}$ -18 UNEF
32	56.36	44.96	41.15	61.92	95.25	47.62	2-18 UNS	$1\frac{3}{4}$ -18 UNS
36	62.71	50.29	46.69		100.02	52.37	$2\frac{1}{4}$ -16 UN	2-18 UNS
40	69.06	56.64	52.25		100.02	53.97	$2\frac{1}{2}$ -16 UN	$2\frac{1}{4}$ -16 UNS



Cable clamp MS3057

Shell	Type	SLEEVE	M thread	Max cable OD
10SL	MS3057-4A	MS3420-4	$5/8$ -24 UNEF-2B	7.92
12S	MS3057-4A	MS3420-4	$5/8$ -24 UNEF-2B	7.92
14S	MS3057-6A	MS3420-6	$3/4$ -20 UNEF-2B	11.13
16S	MS3057-8A	MS3420-8	$7/8$ -20 UNEF-2B	14.27
18	MS3057-10A	MS3420-10	1-20 UNEF-2B	15.88
20	MS3057-12A	MS3420-12	$1\frac{3}{16}$ -18 UNEF-2B	19.05
22	MS3057-12A	MS3420-12	$1\frac{3}{16}$ -18 UNEF-2B	19.05

24	MS3057-16A	MS3420-16,-12	1 ⁷ / ₁₆ -18 UNEF-2B	23.83
28	MS3057-16A	MS3420-16,-12	1 ⁷ / ₁₆ -18 UNEF-2B	23.83
32	MS3057-20A	MS3420-20,-16	1 ³ / ₄ -18 UNS-2B	31.75
36	MS3057-24A	MS3420-24,-20	2-18 UNS-2B	34.92
40	MS3057-28A	MS3420-28,-24,20	2 ¹ / ₄ -16 UNS-2B	41.28

Contacts position type

Position type	Number, type of contacts	Position type	Number, type of contacts	Position type	Number, type of contacts
12S-3	2-16#	20-3	3-12#	22-12	3-16#, 2-8#
14S-2	4-16#	20-4	4-12#	22-13	1-16#, 4-12#
14S-5	5-16#	20-7	8-16#	22-14	19-16#
14S-7	3-16#	20-8	4-16#, 2-8#	22-15	1-16#, 5-12#
14S-9	2-16#	20-14	3-12#, 2-8#	22-17	8-16#, 1-12#
16S-1	7-16#	20-15	7-12#	22-18	8-16#
16S-4	2-16#	20-16	7-16#, 2-12#	22-19	14-16#
16S-5	3-16#	20-17	1-16#, 5-12#	22-20	9-16#
16S-6	3-16#	20-18	6-16#, 3-12#	22-22	4-8#
16S-8	5-16#	20-19	3-8#	22-23	8-12#
18-1	10-16#	20-22	3-16#, 3-8#	22-27	8-16#, 1-8#
18-3	2-12#	20-23	2-8#	22-28	7-12#
18-4	4-16#	20-24	2-16#, 2-8#	24-2	7-12#
18-5	1-16#, 2-12#	20-27	14-16#	24-5	16-16#
18-8	7-16#, 1-12#	20-29	17-16#	24-6	8-12#
18-9	5-16#, 2-12#	22-2	3-8#	24-7	14-16#, 2-12#
18-10	4-12#	22-4	2-12#, 2-8#	24-10	7-8#
18-11	5-12#	22-5	4-16#, 2-12#	24-11	6-12#, 3-8#
18-12	6-12#	22-6	1-16#, 2-8#	24-20	9-16#, 2-12#
18-13	3-12#, 1-8#	22-9	3-12#	24-22	4-8#
18-15	4-12#	22-10	4-16#	24-27	7-16#
18-22	2-16#	22-11	2-16#	24-28	24-16#
28-1	6-12#, 3-8#	*28-2	12-16#, 2-12#	28-9	6-12#, 6-16#
28-11	18-16#, 4-12#	28-12	26-16#	28-15	35-16#
28-16	20-16#	28-17	15-16#	28-19	6-16#
28-20	4-16#, 10-12#	28-21	37-16#	*28-22	3-16#, 3-4#

32-7	28-16#, 7-12#	32-8	24-16#, 6-12#	32-9	12-16#, 2-4#
32-17	4-4#	36-7	40-16#, 7-12#	36-8	40-16#, 1-12#
36-10	48-16#	36-15	35-16#	40-10	16-16#, 9-8#, 4-4#
40-56	85-16#	10SL-3	3-16#	10SL-4	2-16#

Hangzhou Kaipu Electronic Technique Co., Ltd. <http://www.kpue.com>, www.kpue.net
Tel: 86-571-85386101 **Mobile: 13588034590**
Fax: 86-571-85350139 **E-mail: HZKAIPU@YAHOO.COM.CN**
Address: No.588-2 of Feijiatang Road, 3rd floor, Xiacheng science Park, Hangzhou
City, Zhejiang, China. Postcode: 310004