

# Y11



Y11

GJB101A

ML-C-26482G

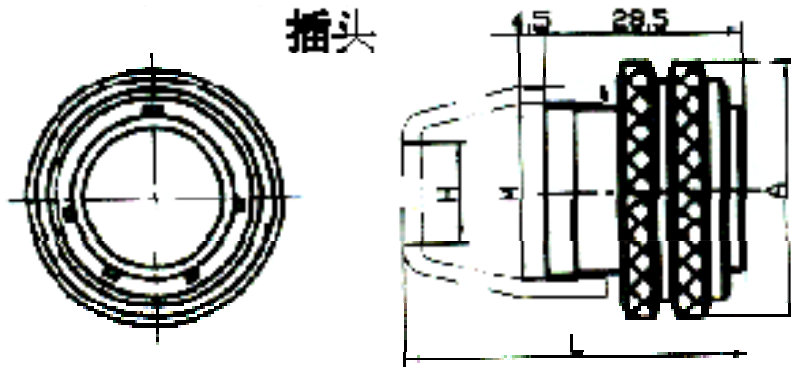
- |    |                                      |           |          |           |   |           |           |          |          |           |   |          |
|----|--------------------------------------|-----------|----------|-----------|---|-----------|-----------|----------|----------|-----------|---|----------|
|    | <u>Y</u>                             | <u>11</u> | <u>X</u> | <u>II</u> | — | <u>20</u> | <u>41</u> | <u>Z</u> | <u>J</u> | <u>10</u> | - | <u>2</u> |
|    | 1                                    | 2         | 3        |           |   | 4         | 5         | 6        | 7        | 8         | 9 |          |
| 1. | Y11                                  |           |          |           |   |           |           |          |          |           |   |          |
| 2. | X— , H— , P— , N—                    |           |          |           |   |           |           |          |          |           |   |          |
| 3. | I II I                               |           |          |           |   |           |           |          |          |           |   |          |
| 4. | 08, 10, 12, 14, 16, 18, 20, 22       |           |          |           |   |           |           |          |          |           |   |          |
| 5. | 4, 7, 10, 12, 16, 19, 21, 26, 32, 41 |           |          |           |   |           |           |          |          |           |   |          |
| 6. | T— , Z—                              |           |          |           |   |           |           |          |          |           |   |          |
| 7. | J— , K— , S—                         |           |          |           |   |           |           |          |          |           |   |          |
| 8. | 10— , 11— , 14—                      |           |          |           |   |           |           |          |          |           |   |          |
| 9. | 2— , 5— , 6—                         |           |          |           |   |           |           |          |          |           |   |          |

-55° C~ +125° C	40± 2° C 90-95%	101. 33~ 4. 39KPa	10-2000Hz 196m/s <sup>2</sup>	980m/s <sup>2</sup>	500

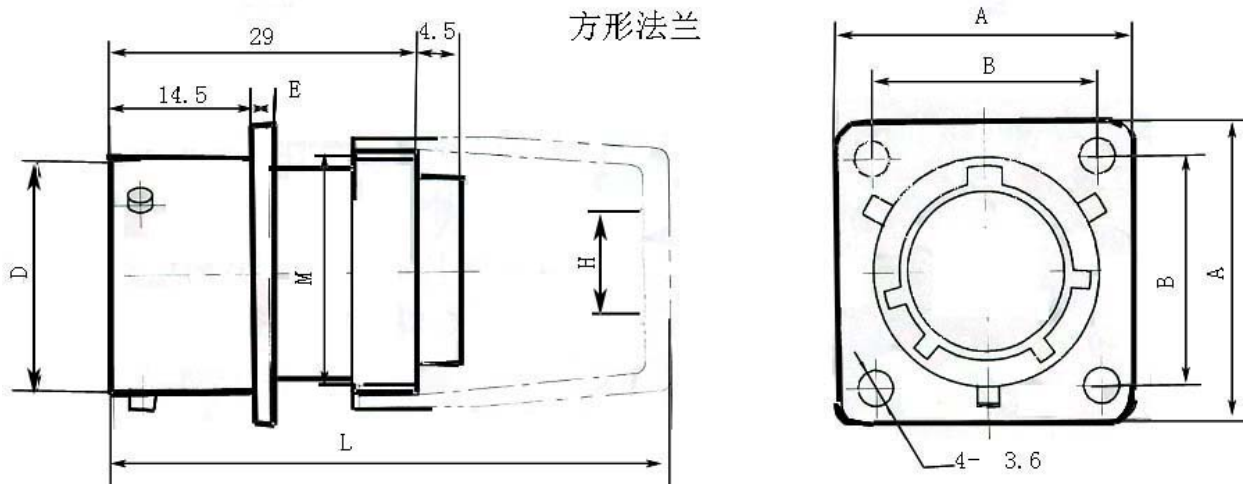
1mm	5 A	250V	15m
1. 5mm	10A	250V	10m

--	--	--

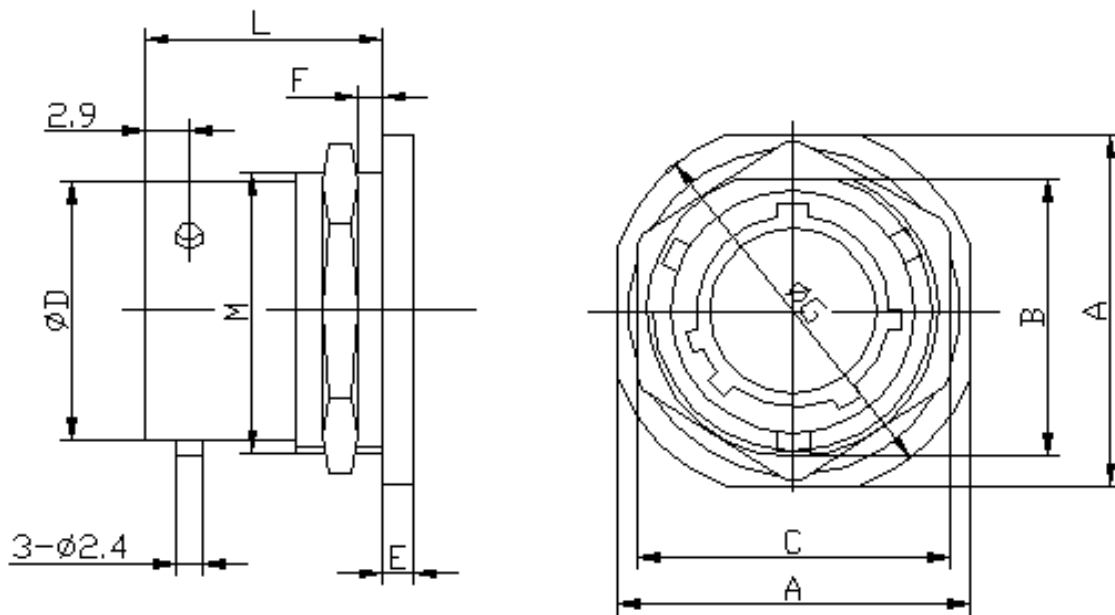
	1500V	2000M
	500V	50M
	200V	20M



	A	M	H	L
08	Ø20	M4× 1	6	41
10	Ø23	M8× 1	8	41
12	Ø26	M20× 1	10	43
14	Ø30	M24× 1	12	49
16	Ø33	M27× 1	14	49
18	Ø36	M30× 1	17	49
20	Ø39	M3× 1.5	20	50.5
22	Ø42	M6× 1.5	24	50.5



	A	B	ØD	E	M	ØH	L
08	21	15± 0.15	13	1.3	M4× 1	6	41.5
10	24	18± 0.15	16	1.5	M8× 1	8	41.5
12	27	21± 0.15	20	1.5	M20× 1	10	43.5
14	30	23± 0.15	23	1.5	M24× 1	12	49.5
16	33	25± 0.15	26	1.5	M27× 1	14	49.5
18	36	27± 0.15	29	1.5	M30× 1	17	49.5
20	39	29± 0.15	32	2.2	M3× 1.5	20	51
22	42	32± 0.15	35	2.2	M6× 1.5	24	51



	A	B	C	D	E	F		G	M	L
08	24	15	22	13	2.5	1.6	3.2	27	M6× 1	18.5
10	27	19	24	16				30	M20× 1	
12	32	23	27	20				35	M24× 1	
14	36	26	30	23				38	M27× 1	
16	38	29	32	26				42	M30× 1	
18	41	32	36	29				45	M3× 1.5	
20	46	35	41	32	3.0	6.4	49	M6× 1.5	22.5	
22	50	38	43	35	3.0	6.4	53	M9× 1.5		

0804	4- Ø1. 0mm	1412	8- Ø1. 0mm, 4- Ø1. 5mm	1832	32- Ø1. 0mm
1007	7- Ø1. 0mm	1419	19- Ø1. 0mm	*2016	16- Ø1. 5mm
1210	10- Ø1. 0mm	1626	26- Ø1. 0mm	2041	41- Ø1. 0mm
*2221	21- Ø1. 5mm	2255	55- Ø1. 0mm	*2461	61- Ø1. 0mm

\*

<http://www.kpue.com>, [www.kpue.net](http://www.kpue.net), [www.connectors.cn](http://www.connectors.cn)

: 0571-85386101  
0571-85350139

: 13588034590

HZKAI PU@YAHOO.COM.CN

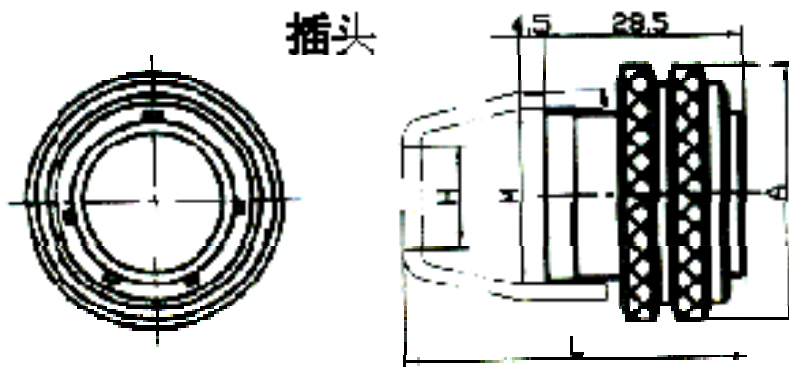
588 2 3

310004



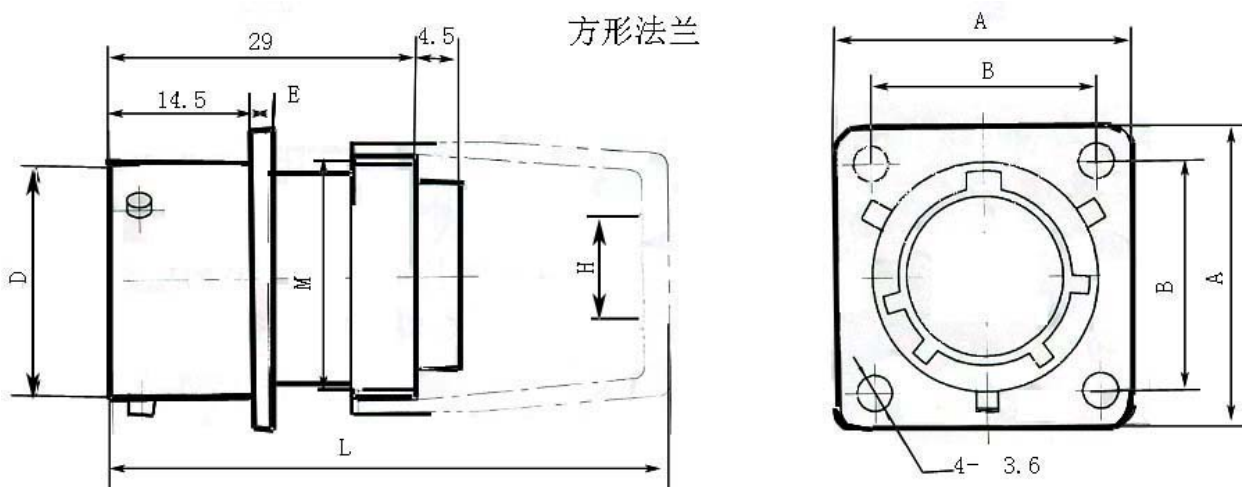
Environment	Voltage proof	Insulation resistance
Normal	1500V	2000M
Moisture	500V	50M
Low pressure	200V	20M

## Dimensions



## Plug

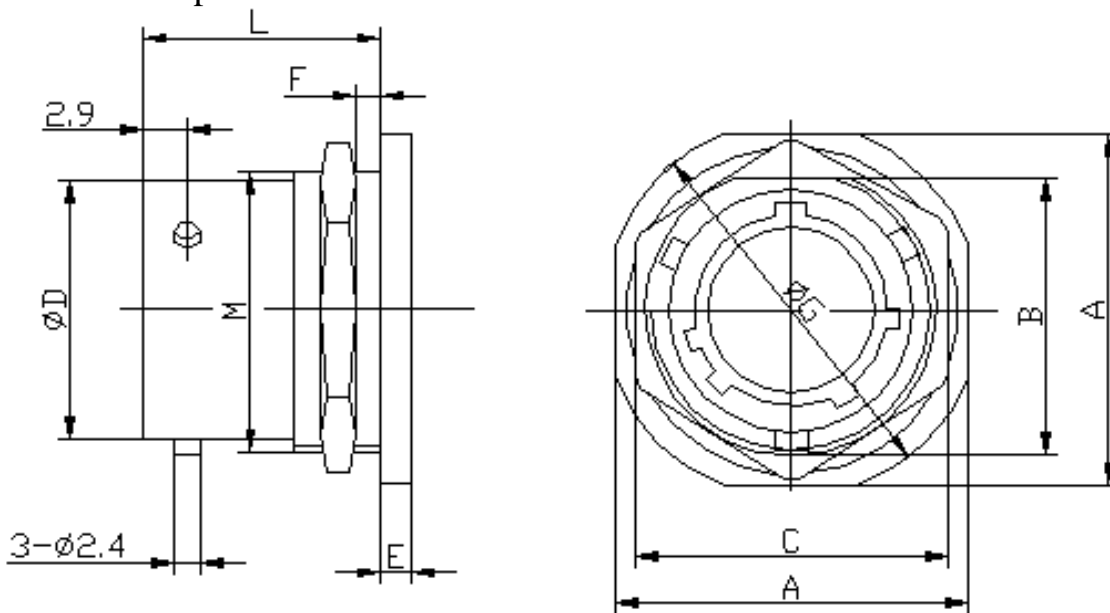
Shell type	A	M	H	L
08	Ø20	M4× 1	6	41
10	Ø23	M8× 1	8	41
12	Ø26	M20× 1	10	43
14	Ø30	M24× 1	12	49
16	Ø33	M27× 1	14	49
18	Ø36	M30× 1	17	49
20	Ø39	M33× 1.5	20	50.5
22	Ø42	M36× 1.5	24	50.5



### Square flange mounting receptacle

Shell type	A	B	ØD	E	M	ØH	L
08	21	15± 0.15	13	1.3	M4× 1	6	41.5
10	24	18± 0.15	16	1.5	M8× 1	8	41.5
12	27	21± 0.15	20	1.5	M20× 1	10	43.5
14	30	23± 0.15	23	1.5	M24× 1	12	49.5
16	33	25± 0.15	26	1.5	M27× 1	14	49.5
18	36	27± 0.15	29	1.5	M30× 1	17	49.5
20	39	29± 0.15	32	2.2	M3× 1.5	20	51
22	42	32± 0.15	35	2.2	M6× 1.5	24	51

### Circular receptacle with screw nut



Shell type	A	B	C	D	E	F		G	M	L
08	24	15	22	13	2.5	1.6	3.2	27	M6× 1	18.5
10	27	19	24	16				30	M20× 1	
12	32	23	27	20				35	M24× 1	
14	36	26	30	23				38	M27× 1	
16	38	29	32	26				42	M30× 1	
18	41	32	36	29				45	M3× 1.5	
20	46	35	41	32	3.0	6.4	49	M6× 1.5	22.5	
22	50	38	43	35	3.0	6.4	53	M9× 1.5		

## Type of contacts

Type	Contacts	Type	Contacts	Type	Contacts
0804	4- Ø1. 0mm	1412	8- Ø1. 0mm 4- Ø1. 5mm	1832	32- Ø1. 0mm
1007	7- Ø1. 0mm	1419	19- Ø1. 0mm	* 2016	16- Ø1. 5mm
1210	10- Ø1. 0mm	1626	26- Ø1. 0mm	2041	41- Ø1. 0mm
* 2221	21- Ø1. 5mm	* 2255	55- Ø1. 0mm	* 2461	61- Ø1. 0mm

Note: There are no glass sealed receptacles now with \*.

Order note: Pls offer the whole title of product, type, quantity, date, your address, name & other attachment.

Hangzhou Kai pu Electronic Technique Co., Ltd. <http://www.kpue.com>, [www.kpue.net](http://www.kpue.net)

Tel: 86-571-85386101

Mobile: 13588034590

Fax 86-571-85350139

E-mail HZKAI PU@YAHOO.COM.CN

Address No.588-2 of Feijiatang Road,3rd floor,Xiacheng science Park, Hangzhou City, Zhejiang, China.

Postcode 310004