



10×10方型/多圈/玻璃釉微调电位器WI67

可提供工业级、军工级产品

SQUARE/MULTITURN/CERMET TRIMMER WI67

电特性 Electrical Characteristics

- 标称阻值范围 Standard Resistance Range
10Ω ~ 2MΩ
(See standard resistance table)
- 阻值允许偏差 Resistance tolerance
±5% ±10% std.
(tighter tolerance available)
- 终端电阻 Terminal resistance
1% or 2Ω max
(whichever is greater)
- 接触电阻变化 Contact resistance variation
1% or 2Ω max
(whichever is greater)
- 绝缘电阻 Insulation resistance
R_i > 1GΩ (500Vdc.)
1000 megohms min
- 有效行程 Effective Electrical travel
28圈 ±1Turns nom

环境特性 Environment Characteristics

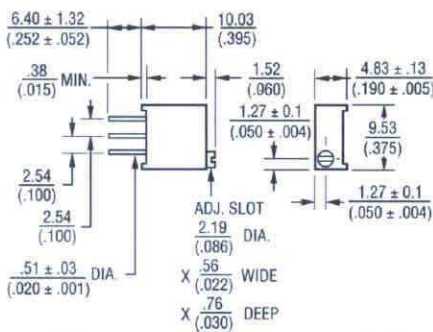
- 额定功率 Rated power (300 volts max.)
70°C 0.5 watt
125°C 0 watt
- 温度范围 Temperature range
-55°C ~ +125°C
- 温度系数 TCR
±100 ppm/°C
- 高频振动 High frequency vibration
10 ~ 500Hz, 0.75mm或98m/S² 6h
ΔR ≤ 2%R, Δ(Uab/Uac) ≤ 2%
- 冲击 Shock
ΔR ≤ 2%R, Δ(Uab/Uac) ≤ 2%
- 高温寿命 Life at high temperature
70°C, 0.5W, 1000h
ΔR ≤ 5%R, Δ(Uab/Uac) ≤ 2%
- 旋转寿命 Rotation life
200周 ΔR ≤ 5%R

物理特性 Physical Characteristics

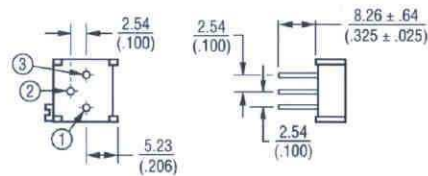
- 总机械行程 30周
- 起动力矩 转矩 Starting Torque
≤ 35mN·m
- 标准包装 Standard Packaging
100只装

外型尺寸 Outline drawing size

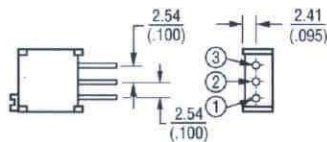
共有尺寸



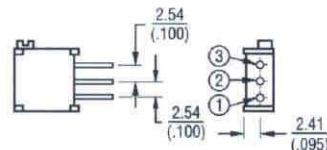
WI67P



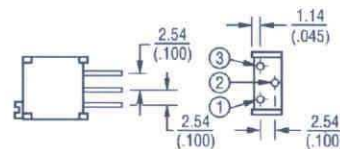
WI67W



WI67X



WI67Y



WI67Z

