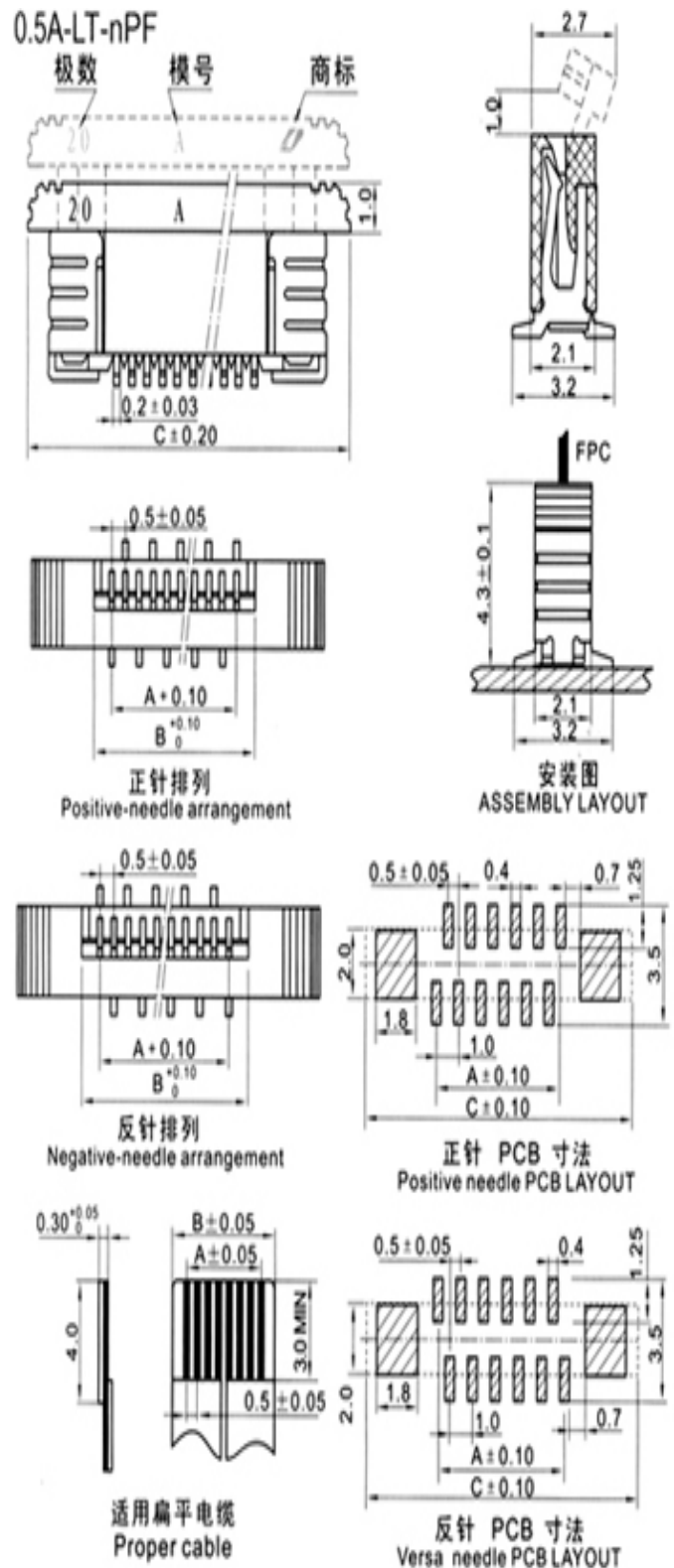


0.5mm Pitch ZIF Vertical SMT FFC/FPC Connector

0.5A-LT-nPF



0.5A-LT-nPF

间距 _____

型号 _____

立式:L _____

贴式:T _____

线数 _____

反针:F(正针无) _____

Contact parts

*Material: Phosphor bronze

Body:

*Material: Nylon 46, UL94V-0

Packing

- * Brede
- * Tube
- * Bag

Technology parameter

- * Pin: 4 ~ 50
- * Rated Voltage: AC、DC、200V (50HZ)
- * Rating current: > 0.4A 、 AC、 DC
- * Dielectric Withstanding Voltage :500V AC/m
- * Operating Temperature: -25℃ ~+ 85℃
- *Insulation Resistance: $\geq 500M\Omega$
- * Contact Resistance : $\leq 0.02\Omega$
- * Single side Contact

| Pin | A | B | C | Pin | A | B | C | Pin | A | B | C |
|-----|------|------|------|-----|------|------|------|-----|------|------|------|
| 4 | 1.5 | 2.6 | 7.5 | 5 | 2 | 3.1 | 8 | 6 | 2.5 | 3.6 | 8.5 |
| 7 | 3 | 4.1 | 9 | 8 | 3.5 | 4.6 | 9.5 | 9 | 4 | 5.1 | 10 |
| 10 | 4.5 | 5.6 | 10.5 | 11 | 5 | 6.1 | 11 | 12 | 5.5 | 6.6 | 11.5 |
| 13 | 6 | 7.1 | 12 | 14 | 6.5 | 7.6 | 12.5 | 15 | 7 | 8.1 | 13 |
| 16 | 7.5 | 8.6 | 13.5 | 17 | 8 | 9.1 | 14 | 18 | 8.5 | 9.6 | 14.5 |
| 19 | 9 | 10.1 | 15 | 20 | 9.5 | 10.6 | 15.5 | 21 | 10 | 11.1 | 16 |
| 22 | 10.5 | 11.6 | 16.5 | 23 | 11 | 12.1 | 17 | 24 | 11.5 | 12.6 | 17.5 |
| 25 | 12 | 13.1 | 18 | 26 | 12.5 | 13.6 | 18.5 | 27 | 13 | 14.1 | 19 |
| 28 | 13.5 | 14.6 | 19.5 | 29 | 14 | 15.1 | 20 | 30 | 14.5 | 15.6 | 20.5 |
| 31 | 15 | 16.1 | 21 | 32 | 15.5 | 16.6 | 21.5 | 33 | 16 | 17.1 | 22 |
| 34 | 16.5 | 17.6 | 22.5 | 35 | 17 | 18.1 | 23 | 36 | 17.5 | 18.6 | 23.5 |
| 37 | 18 | 19.1 | 24 | 38 | 18.5 | 19.6 | 24.5 | 39 | 19 | 20.1 | 25 |
| 40 | 19.5 | 20.6 | 25.5 | | | | | | | | |