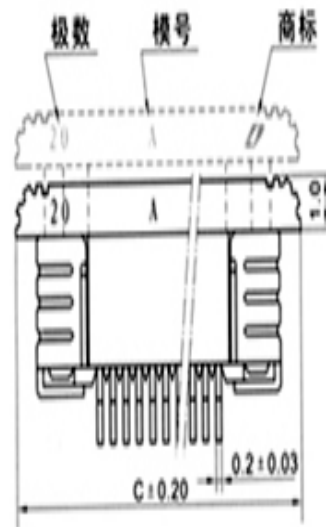


0.5mm Pitch ZIF Right Angle SMT FFC/FPC Connector

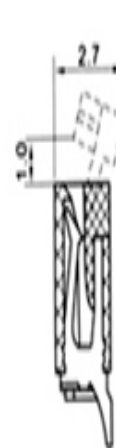
0.5A-WTS-nP



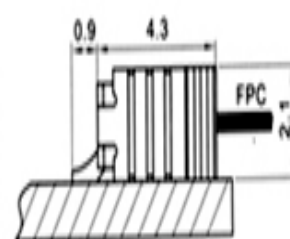
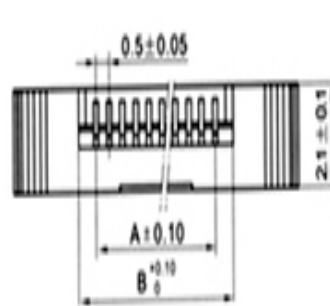
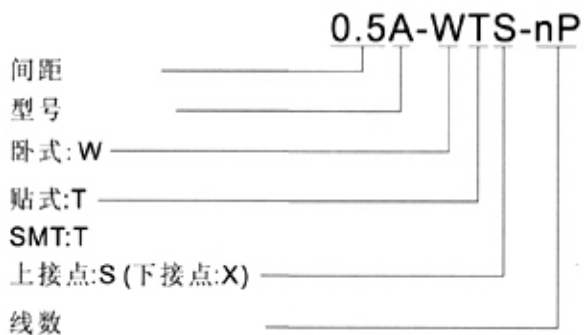
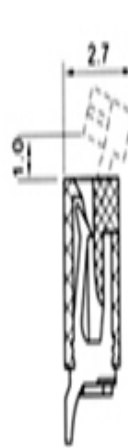
0.5A-WTS-nP



0.5A-WTS-nP



0.5A-WTS-nP 0.5A-WTX-nP



安装图
ASSEMBLY LAYOUT

Contact parts

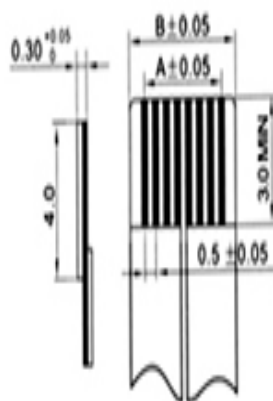
*Material: Phosphor bronze

Body:

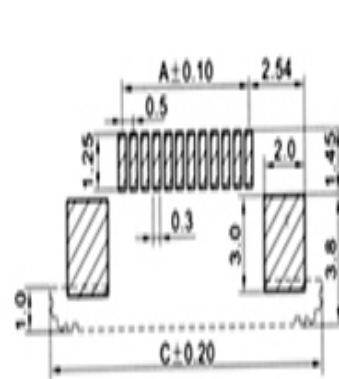
*Material: Nylon 46, UL94V-0

Packing

- * Brede
- * Tube
- * Bag



适用扁平电缆
Proper cable



印制线路板
PCB P.C.B Layout

