



孝感市惠维照明电器有限责任公司



公司 PAR 产品包括：普通 PAR 灯系列和 LED PAR 系列。产品主要有 PAR20、PAR30、PAR38、PAR46、PAR56、PAR64，用于商场超市装饰照明、舞台照明、水下照明、工程

照明、展示照明、汽车机场码头等特殊照明。

其中，PAR64 主要应用于迪斯科、剧院、舞台、电视、电影、演播室等等一些特殊场合。PAR38 红外灯可以提供能精确控制的能量辐射。PAR38 水下灯透光性好，耐冲击，耐高温，寿命长，安全可靠。产品远销欧美、东南亚等市场，产品质量受到世界各地用户的好评。



地 址：湖北省孝感市高新技术开发区布列斯特路 6 号

联系人：奚华东

手 机：+86 13797171372

电 话：+86 712 2689058

传 真：+86 712 2039127

邮 箱：xgxhd@yahoo.com.cn

Contents

PAR20/30	1
PAR36	2-4
PAR38	5
PAR46	6- 8
PAR56	9
PAR64	10

Base identification



2 Contact Lugs



Screw Terminal



3 Contact Lugs



Combination

Mog
End PR GX16Mog
End PR GX16DMed Skirted
E26 / 50*39

Slip-on Terminals

PAR20/30

Base:E26/E27

Par 20 (2 1/2")

Item	Description	Volts	Watts
50PAR20/FL/H	HALOGEN E26 MEDIUM	120/220	50
50PAR20/NFL/H	HALOGEN E26 MEDIUM	120/220	50



Par 30 (3 3/4') Short Neck

Item	Description	Volts	Watts
75PAR30/FL/H	FLOOD (BEAM)	120/220	75
150PAR/SP/130	PAR30 MEDIUM INCAN.	130/220	150
150PAR/SP/130	WEATHERPROOF	130/220	150

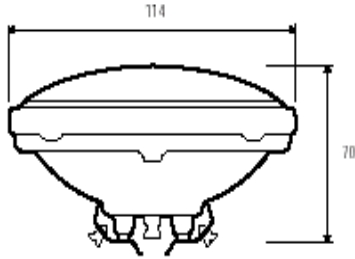


Par 30 (3 3/4") Long Neck

Item	Description	Volts	Watts
75PAR30/FL/H	FLOOD (BEAM)	120/220	75
50PAR30/FL/CAP	FLOOD (BEAM)	120/220	50
50PAR30LN/CAP	NSP9	120/220	50
50PAR30LN/CAP	WFL50	130/220	50



PAR36 Base: Contact lugs/Screw /Slip-on



order code	volts	watts	initial c. p.	spread Horiz.	spread Vert.	life Hours
4404	6.4	18	1,500	50	25	200
4015	6.2	35	8,500	40	5	80
4042	6.4	12	1,100	45	20	150
4044	12	12	1,100	50	25	150
4044-1	12	12	1,100	50	25	150
4308	6.4	12	3,000			150
4313	13	250	140,000	16	7	25
4402	28	50	1,000	50	25	400
4405	12.8	30	50,000	6	5	100
H4405	12.8	30	60,000	7	4	100
4406	12.8	35	600	80	30	300
4406-1	12.8	35	600	80	30	300
4409	12.8	35	600	80	30	300
4410	12.8	35	600	80	30	300
4414	12.8	18	1,500	50	25	300
4414-1	12.8	18	1,500	50	25	300
4415	12.8	35	9,000	40	5	300
4415-1	12.8	35	9,000	40	5	200
4416	12.8	30	35,000	11	4	300
4416-1	12.8	30	35,000	11	4	300
4428	12.8	35	1,000	80	20	300
4440	12.8	40	6,000	40	7	300
4444	12.8	18	4,500	40	5	100
4445	12.8	35	2,900	40	5	300
4446	12.8	35	400	80	80	300
4449	12.8	30	15,000	11	5	300



PAR36 Base: Contact lugs/Screw /Slip-on

order code	vol ts	watts	ini tial c. p.	spread Horiz.	spread Vert.	l i fe Hours
4454	12.8	60	8,000	40	8	200
4456	12.8	30	5,000	25	4	100
4460	12.8	40	5,000	40	10	300
H4460	12.8	40	10,000	22	10	350
4464	12.8	60	40,000	12	5	300
4465	12.8	30	4,000	34	10	300
4466	12.8	60	1,000	80	30	300
4502	28	50	10,000	40	7	400
4503	14	40	10,000	40	5	400
4505	28	50	40,000	11	5	400
4506	4.7	0.5A	4,500	4	4	30
4509	13	100	95,000	12	6	25
Q4509	13	100	100,000			100
4510	6.4	25	800	80	20	300
4515	6.4	30	55,000	5	5	100
H4515	6.4	30	65,000	5	5	100
4516	6.2	30	45,000	9	4	300
4519	13	100	30,000	40	7	25
4546	4.7	0.5A	6,300	3	3	100
4546-1	4.7	0.6A	6,300	3	3	100
4547	4.8	1.25A	20,000	3	3	100
4568	12.8	25	6,800	40	5	100
4587	28	250	40,000	40	13	25
4591	28	100	90,000	12	6	25
4593	28	50	1,500	80	30	400
4594	28	100	70,000	13	7	300
4595	13	100	60,000	14	6	300
4596	28	250	100,000	11	12	25
4613	28	100	70,000	13	7	300
4614	6	100	65,000	11	6	250
4618	4.8	1.0A	13,000	3	3	100
4626	28	150	25,000	40	9	300
4627	28	100	3,000	80	30	300
Q4631	13	250	65,000	13	12	400
Q4632	13	250	65,000	14	12	400
4667	13	75	15,000	40	5	300
4700	13	100	50,000	17	18	25

PAR36

Base: Contact lugs/Screw /Slip-on

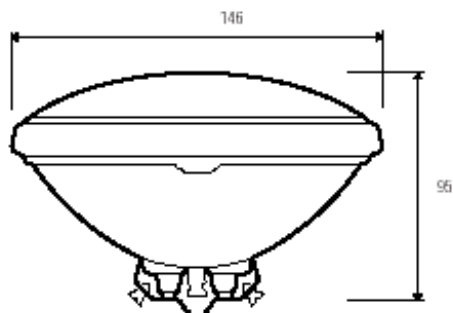
order code	vol ts	watts	i ni ti al c. p.	spread Horiz.	spread Vert.	l i fe Hours
4713	28	150	4,200	50	65	300
4750	28	60	5,000	36	12	500
4713	28	150	4,200	50	65	300
4750	28	60	5,000	36	12	500
4752	28	60	2,000	50	25	500
4811	28	55	7,000	40	5	200
4825R	28	50	200	50	25	200
7128	12	8	800	24	18	50
7400	12.8	35	33,000	12	5	300
7414Y	12.8	18	1,000	50	25	300
Q7455	12.8	55	60,000	12	5	200
H7514	12.8	9	750	50	25	300
H7550	6	8	25,000	3	3	50
H7550-1	6	8	25,000	3	3	50
H7551	6	8	550	30	20	50
H7552	6	10	650	30	20	50
H7553	6	12	850	30	20	50
H7554	6	20	1,400	30	20	50
H7555	12	8	550	30	20	50
H7556	6	6	400	30	20	50
H7557	12	12	850	30	20	50
H7600	12.8	37.5	60,000	9	4.5	300
H7601-1	12.8	37.5	40,000	50	25	300
H7604	12.8	50	100,000	7	5	100
H7606	12.8	50	1,000	80	30	400
7613	6	8	400	30	20	50
7613-1	6	8	400	30	20	50
H7614	12.8	50	2,000	70	30	100
H7616	12.8	37.5	70,000	7	4	300
H7616-1	12.8	37.5	70,000	7	4	300
7672	6	7.2	350	18	24	50
H7675-1	12.8	50	15,000	35	7	200

PAR38 Base:E26/E27



Item	Volts v	Watts W	Luminous Intensity Cd	Base	Avg. Life Hrs	Diameter M	Length M
PAR38 SPOT	120/220	60	3000	E27/E26	2000	121	136
PAR38 SPOT	120/220	80	5000	E27/E26	2000	121	136
PAR38 SPOT	120/220	120	9000	E27/E26	1500	121	136
PAR38 SPOT COOL	120/220	120	10000	E27/E26	1500	121	136
PAR38 FLOOD	120/220	60	1000	E27/E26	2000	121	136
PAR38 FLOOD	120/220	80	1500	E27/E26	2000	121	136
PAR38 FLOOD	120/220	120	2800	E27/E26	1500	121	136
PAR38 FLOOD COOL	120/220	120	2800	E27/E26	1500	121	136
PAR38 RED	120/220	80	N/A	E27/E26	2000	121	136
PAR38 BLUE	120/220	80	N/A	E27/E26	2000	121	136
PAR38 GREEN	120/220	80	N/A	E27/E26	2000	121	136
PAR38 YELLOW	120/220	80	N/A	E27/E26	2000	121	136

PAR46 Base: Contact lugs/Screw



order code	vol ts	watts	initial c. p.	spread Horiz.	spread Vert.	l i fe Hours
4000	12.8	37.5	11,000	34	7	200
4001	12.8	37.5	29,000	26	5	300
4005	12.0	50.0	19,000	34	7	320
4007	13.0	100.0	50,000	5	6	25
4010	6.2	30.0	27,000	16	4	80
4012	6.2	35.0	11,000	40	5	80
4013	6.4	25.0	800	80	20	300
4017	5.5	11.5	16,000	5	1.5	50
4020	6.4	30.0	25,000	25	7	300
4031	6.4	45.0	30,000	25	7	120
4034A	6.5	50.0	1,200	55	25	45
4037A	12.8	18.0	12,000	26	5	300
4040	12.8	37.5	11,000	34	7	300
4049	13.0	150.0	300,000	15	7	15
4078	6.4	50.0	1,500	55	30	500
4412	12.8	35.0	11,000	40	7	300
4413	12.8	35.0	1,100	80	20	300
4420	12.8	30.0	23,000	25	7	300
4421	13.0	100.0	23,000	50	7	300
4427	12.8	35.0	1,200	80	20	300
4431	12.8	45.0	30,000	25	7	320
4434A	12.8	40.0	1,000	55	25	100
4435	12.8	30.0	75,000	5	5	100
4436	12.8	35.0	60,000	10	4	300
4439X	12.8	18.0	900	60	20	300
4459	12.8	40.0	1,400	60	40	320
4467	12.8	50.0	23,000	31	7	350



PAR46 Base: Contact lugs/Screw

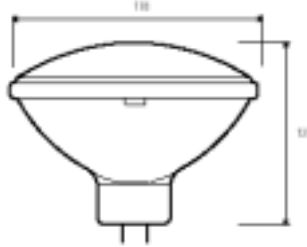
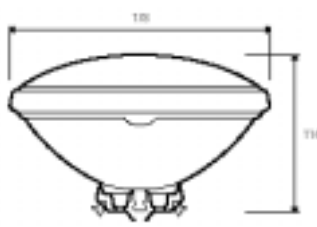
order code	vol ts	watts	ini tial c. p.	spread Horiz.	spread Vert.	l i fe Hours
H4467	12.8	50.0	27,000	31	7	350
4478	13.0	60.0	1,600	56	32	800
4480	13.0	60.0	6,000	40	7	800
4482	12.0	60.0	15,000	30	6	300
4490A	28.0	50.0	9,000	40	5	400
4492	12.8	60.0	21,000	300
4522	13.0	250.0	290,000	12	10	25
4524	6.0	28.5	80,000	8	4	50
4528	6.0	6.6A
4530	26.0	5.3	100,000	11	11	50
4531	12.5	40.0	30,000	20	5	400
4532	28.0	250.0	75,000	12	19	100
4535	6.4	30.0	95,000	5.5	4	25
4537	13.0	100.0	200,000	11	6	25
4551	28.0	250.0	75,000	50	10	25
4553	28.0	250.0	300,000	11	12	25
4554	28.0	450.0	90,000	50	16	25
Q4554	28.0	450.0	65,000	50	11	100
4564	28.0	250.0	300,000	11	12	25
Q4566	28.0	450.0	150,000	16	12	1,000
4570	28.0	150.0	32,000	50	9	300
4571	28.0	150.0	7,000	80	25	300
4572	28.0	150.0	4,500	55	55	300
4578	28.0	60.0	1,600	55	30	800
H4578	28.0	60.0	1,800	50	20	800
4579	28.0	80.0	24,000	25	25	400
4580	28.0	450.0	400,000	13	14	10
4581	28.0	450.0	400,000	13	14	10
4582	28.0	450.0	400,000	50	55	10
Q4597	28.0	450.0	16,000	60	35	1,000
4619	28.0	50.0	33,000	26	5	400
4624	28.0	50.0	22,000	34	7	400
4633A	12.8	75.0	1,200	80	15	70
463	16.5	450.0	325,000	14	15	25
4636	14.0	80.0	90,000	9	7.5	200
Q4681	28.0	450.0	310,000	15	9	50

PAR46

Base: Contact lugs/Screw

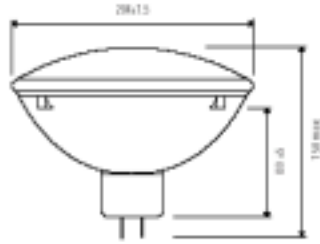
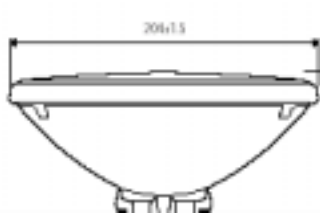
order code	vol ts	watts	i n i t i a l c. p.	s p r e a d H o r i z.	s p r e a d V e r t.	l i f e H o u r s
4705	13.0	100.0	130,000	10	6	25
4813	28.0	90.0	10,000	50	10	800
H4813	28.0	90.0	12,000	50	10	800
4814	28.0	90.0	27,000	8	4	800
H4814	28.0	90.0	33,000	8	4	800
4880	28.0	60.0	6,000	40	7	800
H4880	28.0	60.0	7,000	40	7	800
5001	12.8	50.0	35,000	26	5	200
H5001	12.8	50.0	55,000	26	5	200
H5006	12.8	35.0	15,000	35	7	200
H5006LL	12.8	40.0	15,000	35	7	500
H7609	12.8	50.0	2,200	80	20	400
H7612	12.8	37.5	15,000	40	7	450
H7619	12.8	50.0	6,000	30	25	400
H7621-1	12.8	50.0	20,000	50	7	200
H7635	12.8	50.0	160,000	6.5	4	100
H7680HIR	13.0	80.0	275,000	6.5	6.5	100
7701	12.8	50.0	50,000	12	6	200
7711	12.8	100.0	100,000	12	6	25

PAR56 Base: Screw / GX16D



order code	volts	watts	initial c. p.	spread Horiz.	spread Vert.	life Hours
4018R	6.0	50.0	38,000	5	2	50
4305	13.0	100.0	5,000	50	25	125
4310	12.0	150.0	6,000	50	25	125
4319	12.0	300.0	12,000	50	25	125
4433A	12.8	75.0	2,400	40	20	70
4541	28.0	450.0	470,000	15	11	25
4543	12.5	100.0	250,000	9	5	50
4545	12.0	100.0	225,000	9	5	100
4800	28.0	50.0	19,000	34	7	400
4860	28.0	80.0	24,000	34	7	400
6006	6.1	50.0	27,000	34	7	300
6014	12.8	60.0	32,000	34	7	200
6015	12.8	50.0	32,000	34	7	300
6016	12.8	60.0	32,000	34	7	200
H6024	12.8	65.0	35,000	35	7	150
6045	26.0	170.0	230,000	9	8	100
120PAR56/VNSP	12	120	50,000	8	6	1000
120PAR56/MFL	12	120	19,000	18	9	1000
120PAR56/WFL	12	120	6,000	35	18	1000
300PAR56/NSP	120	300	60,000	10	8	800
300PAR56/MFL	120	300	24,000	23	11	800
300PAR56/WFL	120	300	11,000	37	18	800
500PAR56/NSP	120	500	80,000	13	8	500
500PAR56/MFL	120	500	40,000	26	10	500
500PAR56/WFL	120	500	18,000	44	20	500

PAR64 Base: GX16D



order code	vol ts	watts	initial c. p.	spread Horiz.	spread Vert.	l i fe Hours
Q500PAR64 /VNSP CP86	240	500	240,000	10	7	300
Q500PAR64 /NSP CP87	240	500	140,000	11	9	300
Q500PAR64 /MFL CP88	240	500	65,000	21	10	300
EXC CP60	240	1000	400,000	12	6	300
EXD CP61	240	1000	260,000	13	10	300
EXE CP62	240	1000	110,000	25	14	300
CP95	240	1000	15,000	70	70	300
EXG/PAR64 /WFL	240	1000	38,000	57	21	300

order code	vol ts	watts	initial c. p.	spread Horiz.	spread Vert.	l i fe Hours
4552	28.0	250.0	500,000	7	8	25
4555	115.0	1000.0	600,000	20	11	25
4556	28.0	1000.0	700,000	25
4557	28.0	1000.0	540,000	11	15	25
4559	28.0	600.0	600,000	11	12	25
Q4559	28.0	600.0	600,000	12	8	100
Q4629	28.0	600.0	20,000	55	35	1000
4715	13.0	250.0	500,000	8	7	25
5557	28.0	1000.0	540,000	11	15	50