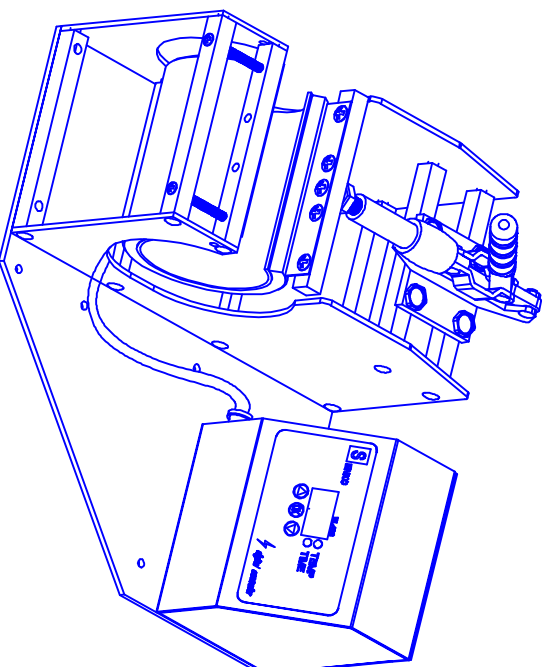
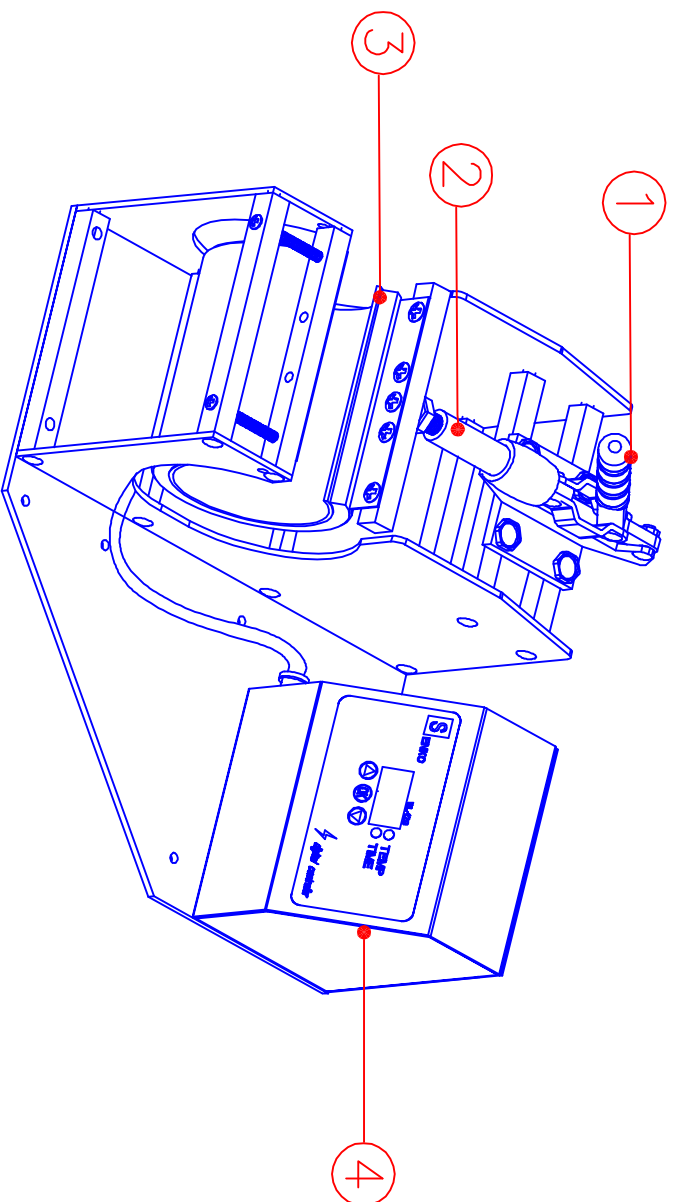


Mug Heat Press Machine Mauai-MP-70D



Shenzhen Microtec Technology Co. Ltd Tel: 0086-755-25110535 Fax: 0086-755-25109787

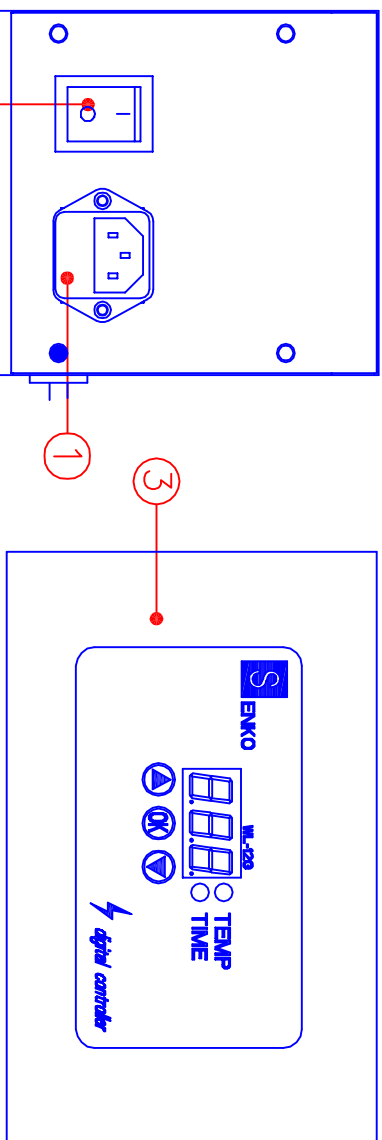


① Handle bar grip

② Pressure adjuster

③ Mug heater

④ Digital display

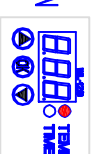


How to program mug heat press-MP-70D

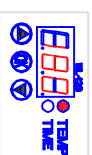
Step1 , Place the mug into the machine,Adjust the mug's position to make sure the mug can be completely wrapped into mug heater. And adjust the pressure to be moderate.

Step2. Open the Handle bar grip and take out the mug.

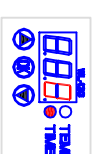
Step3. plug the power cord ① and turn on the power switch ② . The digital display ③ flashes, and the TEMP light is ON



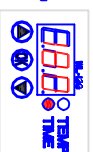
Step4. Set the temperature at around 180 centigrade



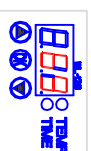
(Select with the time according to different transfer material). Press ok button and TIME light is ON.



Step5. Set the time at around 180 seconds,



(Select with arrows the time according to different transfer material). Press OK button and TIME light is OFF, now the panel shows



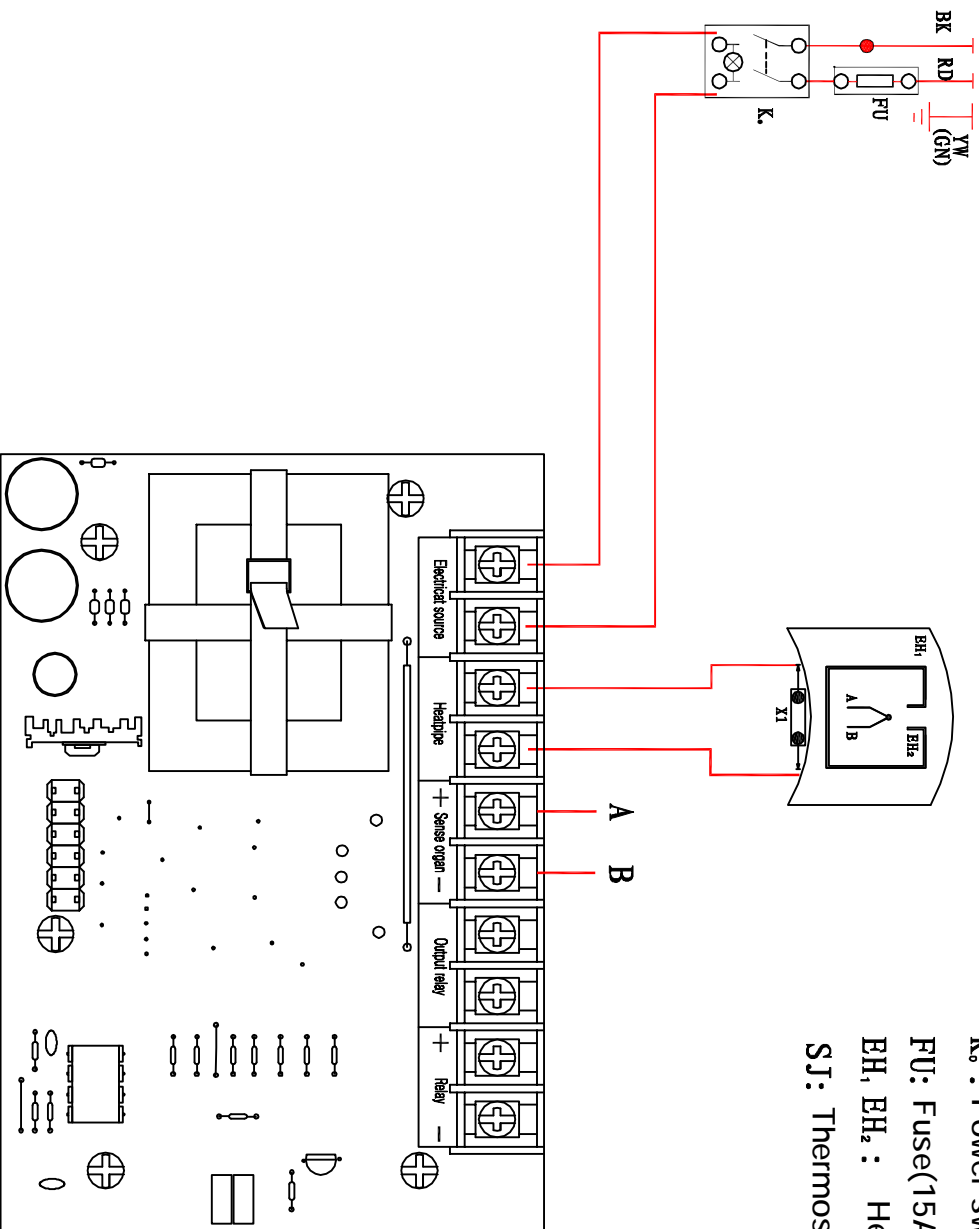
the temperature of the mug heater and the temperature starts to rise.

Step6. When the temperature rises to the set degree ,the buzzer will send out a sound , Then put the mug into mug heater and close it (meantime the sound stops).The transfer starts.

Step7. Time is counting down. Once time is up, The buzzer will send out a sound again, Then open the Mug heater, The sound stops.

Step8. Work finish and take out the mug carefully. (mug surface is hot) .The temperature will rise again to 180 centigrade .and the buzzer will send out a sound .You can put in another mug and repeat above process. Unplug the power cord when the machine is not in use.

Circuit Diagram



K_o : Power switch

FU: Fuse(15A/25V)

EH₁, EH₂ : Heating Element

SJ: Thermostat