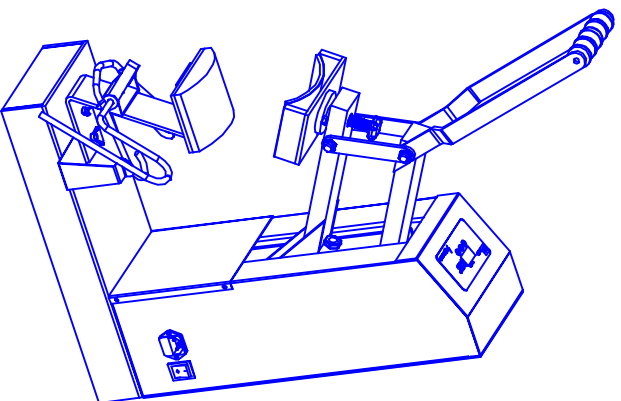
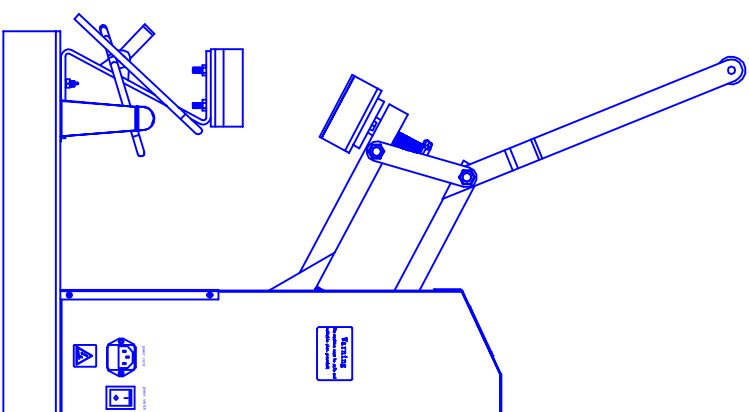
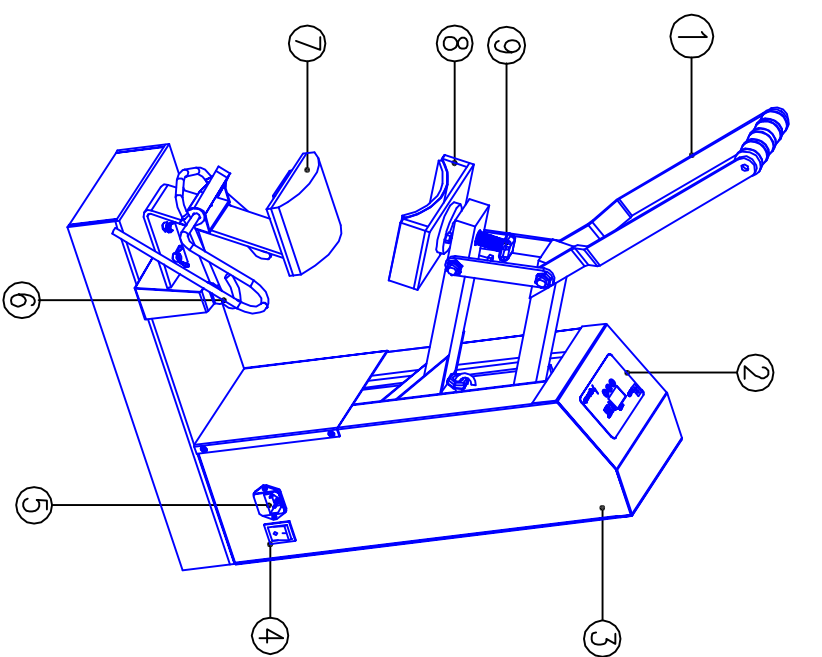


Digital Cap Heat Press Machine Manual



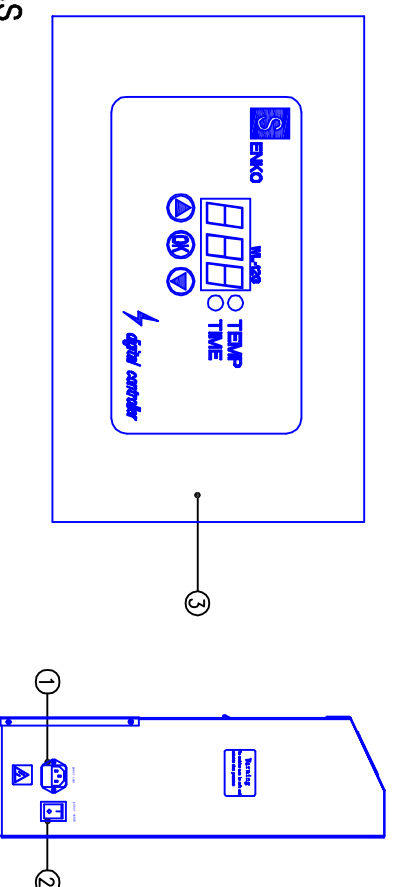
Shenzhen Microtec Technology Co. Ltd Tel: 0086-755-25110535 Fax: 0086-755-25109787

Assembly Drawing



- ① Handle Bar Grip
- ② Digital Display
- ③ Electrical Case
- ④ Power switch
- ⑤ Power socket(with fuse)
- ⑥ Clips
- ⑦ Silicon pad
- ⑧ Cap heat platen
- ⑨ Pressure adjuster

How to program cap heat press

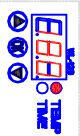



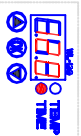
Step1. To adjust the pressure to be moderate by circumvolve the handwheel.

Step2. Clip the cap onto the silicon pad and falt the cap.

Step3. plug the electrical cord ① and turn on the power switch ② .

Step4. The digital display ③ flashes ,and the TEMP light is ON.

Step5. Set the temperature at 180 degree  (Select with arrows the temperature,according to different transfer material).Press OK button and then the TIME light is ON. 

Step6. Set the time at 120 seconds  (Select with arrows the time according to different transfer material)
Press Ok button and TIME light is OFF, now the panel shows the temperature of the heat platen and the temperature starts to rise .

Step7. When the temperature rises to 180 degree, the buzzer will send out a sound ,then close down the heat platen (meantime the sound stops) and starts to transfer.

Step8. Time si counting down. Once time is up. the buzzer will send out a sound again ,then open up the heat platen (meantime the sound stops)

Step9. Work finish and take out the cap. If you want to print on another cap, press OK button and confirm the TIME and TEMPERATURE set as last time . then repeat above process, Unplug the power cord when the machine is not in use.

Circuit Diagram

