



**FOSHAN RUN YANG LIGHTING CO.,LTD.**

**(Foshan Everbight Lighting Co.,Ltd.)**

Add:Jiebian Industrial Zone,Luocun,Nanhai

Foshan,Guangdong,China

Tel/Fax: 86-0757-8613 8510/8644 3933

Web: <http://www.runyanglighting.com>

---

Foshan Run Yang Lighting Co.,Ltd. (Foshan Everbight Lighting Co., Ltd.) is the professional manufacturer of halogen bulbs, LED replacement light bulbs, Compact Fluorescent Lamp, and energy saving lamp etc.

Advantage and Guarantee for our products:

1. Main voltage halogen bulbs (G9, GU10 etc): with our patent technology, the bulbs can be 100% BLAST-PROOF, and the least life to be 2000hrs.
2. Low voltage halogen bulbs (JC,MR11,MR16 etc): life of these products can be 4000hrs. And the new breakthrough for these items is to be 10000hrs; and 4000hrs series with extreme high color temperature.

Moreover, we are making the traditional products as following:

-Halogen lamp: Blast-proof G9/GU10, JC, MR11, MR16, JC DR, JDR, J-type, PAR etc.

-LED Series: GU10-LED, MR11-LED, MR16-LED, PAR-LED, Golf-LED etc.

-2U 3W- 20W, 3U 11W - 30W

-Spiral lamp, 4U 15W - 85W

-High Power CFL 45W- 85W

Guaranteed with the high quality, competitive price and promptly delivery, we welcome OEM order. If you are interested in our products, please do not hesitate to contact us. We are always here to serve you.



## **FOSHAN RUN YANG LIGHTING CO.,LTD.**

**(Foshan Everbight Lighting Co.,Ltd.)**

Add:Jiebian Industrial Zone,Luocun,Nanhai  
Foshan,Guangdong,China

Tel/Fax: 86-0757-8613 8510/8644 3933

Web: <http://www.runyanglighting.com>

---

### Quality Control & Testing Condition for G9, GU10 (Blastproof)

#### **Quality Testing for G9; GU10 on bases of GB2828-87**

Testing Level: S4      Sample Standard: AQL: 1.0/4.0

#### **1. Power Testing**

Under the specified voltage condition, measurement value power is +2.5%; -5% of the rated power.

#### **2. Average Life testing ( Step-up voltage testing)**

Step-up Voltage  $V_2 = \text{Specified Voltage } V_1 + 20\%$  Ignition Point

Life time  $H_2 \geq 7.5$  Days (Actual Life  $H_1 \geq 2000$ h)

Formula:  $H_1 = H_2 (V_2/V_1)^{13.1}$

#### **3. Vibration Testing**

In the cold state, filament should not be broken nor obviously out of shape by under condition as following: vibration frequency: 180 times/minute, Amplitude 2.5cm, vibration 1h of the tungsten filament.

#### **4. Way of blastproof aptitude testing via declining the ignition point**

Lighted up the G9 bulb under specified voltage, the bulb falls from height of 100mm to board (Precondition: top of the bulb is in good condition), it does not explode even if the filament is broken and the light is out.

#### **5. The blastproof aptitude testing for the whole life of the high voltage lamp**

Under the condition of 1.6 times of the specified voltage, the bulb does not explode even if the filament or fuse is burned out.

#### **6. Anti-blast aptitude tests under the high voltage assaults condition**

Under the condition of 1.6 times of the specified voltage, lighted up the bulb and switched the power supply 10 times quickly, the bulb does not explode.

#### **7. Testing for the adhesive force of the sign**

The sign should be clear even if it is wiped 10 times by the Wet cotton under 1N power.



**FOSHAN RUN YANG LIGHTING CO.,LTD.**

**(Foshan Everbight Lighting Co.,Ltd.)**

Add:Jiebian Industrial Zone,Luocun,Nanhai  
Foshan,Guangdong,China

Tel/Fax: 86-0757-8613 8510/8644 3933

Web: <http://www.runyanglighting.com>

## Halogen Lamp Series

**Main Voltage Reflector Halogen Lamp**

**Type: GZ10/GU10+C, GU20+C**

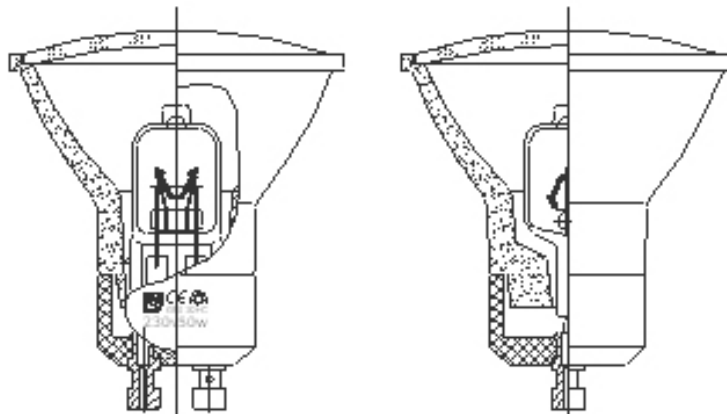
**Wattage (W): 20W - 75W**

**Life (Hrs): 2000h**

**(Convex or Smooth Steel Cover is available)**

**Advantage and Guarantee of our GU10/GU20:**

- 1.With the design of the fuse, the bulb can be 100% blastproof even if it burns out or short-circuit.**
- 2.Guarantee the least life to be 2000hrs.**



Code	Voltage	Watts	Beam Angle	Intensity	Base	Life	G.W.	N.W.	Q'ty/ctn	Carton Size	Q'ty/20'FCL
GZ/GU10 / GU20	110V-130V	35W	38°	500cd	GZ/GU10 / GU20	2000	10kg	12kg	200pcs	55x28x25cm	103896pcs
		40W		600cd			10kg	12kg	200pcs		
		50W		800cd			10kg	12kg	200pcs		
		60W		1000cd			10kg	12kg	200pcs		
		75W		1500cd			10kg	12kg	200pcs		
GZ/GU10 / GU20	220V-240V	20W	38°	200cd	GZ/GU10 / GU20	2000	10kg	12kg	200pcs	55x28x25cm	103896pcs
		35W		500cd			10kg	12kg	200pcs		
		40W		600cd			10kg	12kg	200pcs		
		50W		800cd			10kg	12kg	200pcs		
		60W		1000cd			10kg	12kg	200pcs		
		75W		1500cd			10kg	12kg	200pcs		



# FOSHAN RUN YANG LIGHTING CO.,LTD.

(Foshan Everbight Lighting Co.,Ltd.)

Add:Jiebian Industrial Zone,Luocun,Nanhai  
Foshan,Guangdong,China

Tel/Fax: 86-0757-8613 8510/8644 3933

Web: <http://www.runyanglighting.com>

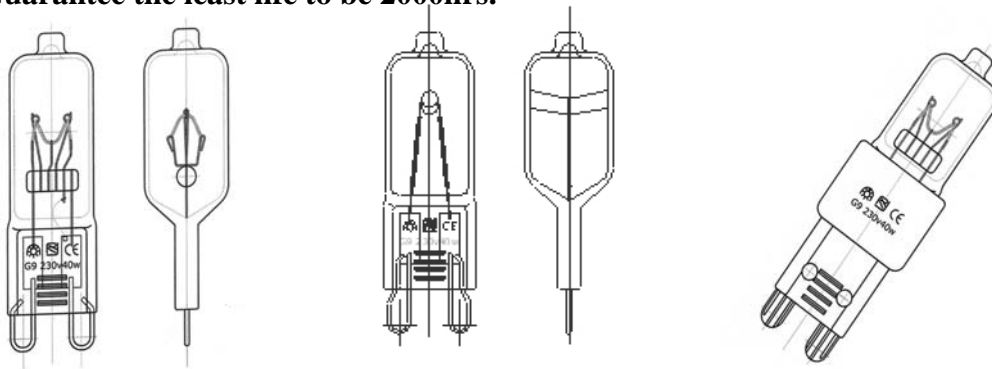
## Main Voltage Halogen Bulbs

Type: G9, G9 with Ceramic-base

Specification: 110-130V/220-240V, 25W-75W

Advantage and Guarantee of our G9 series:

1. With the design of the fuse, the bulb can be 100% blastproof even if it burns out or short-circuit.
2. Guarantee the least life to be 2000hrs.



Type	Voltage(V)	Watts(W)	Lumens(Lm) CL/FR	Avg. Life (h)	Base	Packing details 1000pcs/ctn
G9-Blastproof	110-130	25	160/150	2000	G9 base (Patent No.: ZL 03 2 74252.5)	39.5X22X28CM
G9-Blastproof	110-130	40	400/380	2000		39.5X22X28CM
G9-Blastproof	110-130	50	530/500	2000		39.5X22X28CM
G9-Blastproof	110-130	60	680/650	2000		39.5X22X28CM
G9-Blastproof	110-130	75	900/850	2000		39.5X22X28CM
G9-Blastproof	220-240	25	150/140	2000		39.5X22X28CM
G9-Blastproof	220-240	40	370/350	2000		39.5X22X28CM
G9-Blastproof	220-240	50	500/480	2000		39.5X22X28CM
G9-Blastproof	220-240	60	680/650	2000		39.5X22X28CM
G9-Blastproof	220-240	75	850/820	2000		39.5X22X28CM
G9 with Ceramic-base	110-130	25	160/150	2000	G9 with Ceramic-base (Patent No.: ZL 02 2 52691.9)	44X34.5X24.5CM
G9 with Ceramic-base	110-130	40	400/380	2000		44X34.5X24.5CM
G9 with Ceramic-base	110-130	50	530/500	2000		44X34.5X24.5CM
G9 with Ceramic-base	110-130	60	680/650	2000		44X34.5X24.5CM
G9 with Ceramic-base	110-130	75	900/850	2000		44X34.5X24.5CM
G9 with Ceramic-base	220-240	25	150/140	2000		44X34.5X24.5CM
G9 with Ceramic-base	220-240	40	370/350	2000		44X34.5X24.5CM
G9 with Ceramic-base	220-240	50	500/480	2000		44X34.5X24.5CM
G9 with Ceramic-base	220-240	60	680/650	2000		44X34.5X24.5CM
G9 with Ceramic-base	220-240	75	850/820	2000		44X34.5X24.5CM



## FOSHAN RUN YANG LIGHTING CO.,LTD.

(Foshan Everbight Lighting Co.,Ltd.)

Add:Jiebian Industrial Zone,Luocun,Nanhai  
Foshan,Guangdong,China

Tel/Fax: 86-0757-8613 8510/8644 3933

Web: <http://www.runyanglighting.com>

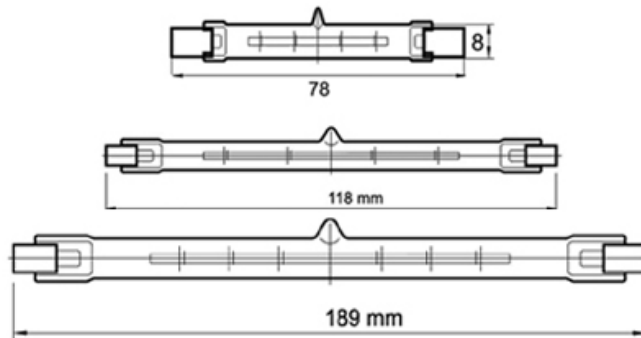
### Main Voltage Lineal Halogen Bulbs

Type: J78, J118, J189, J254

Advantage:

1.high lumens, excellent color quality, long service lifetime.

2.Universal-burning-position version, 1 or 3 coiled ring filament support



Type	Voltage (V)	Watts (W)	Dia.x Height (mm)	Lumens (lm)	Avg.Life (h)	Base	Packing Details 500pcs/ctn
J78	110V-140V / 220V -240V	75	8 x 78mm	700lm	2000	R7S	55x26.5x28cm
		100	8 x 78mm	1400lm			55x26.5x28cm
		150	8 x 78mm	2400lm	2000		55x26.5x28cm
		200	8 x 78mm	3300lm			55x26.5x28cm
		250	8 x 78mm	4300lm			55x26.5x28cm
J118		100	8 x 118mm	1200lm	2000		65x32x26cm
		150	8 x 118mm	2200lm			65x32x26cm
		200	8 x 118mm	3100lm			65x32x26cm
		250	8 x 118mm	4300lm			65x32x26cm
		300	8 x 118mm	5000lm			65x32x26cm
	500	10 x 118mm	9000lm	65x32x26cm			
J189	1000	10 x 189mm	18000lm	2000	60 x 43 x 26cm		
J254	1000	10 x 254mm	20000lm	1500	70 x 57 x 27cm		
	1500		30000lm		70 x 57 x 27cm		



# FOSHAN RUN YANG LIGHTING CO.,LTD.

(Foshan Everbight Lighting Co.,Ltd.)

Add:Jiebian Industrial Zone,Luocun,Nanhai  
Foshan,Guangdong,China

Tel/Fax: 86-0757-8613 8510/8644 3933

Web: <http://www.runyanglighting.com>

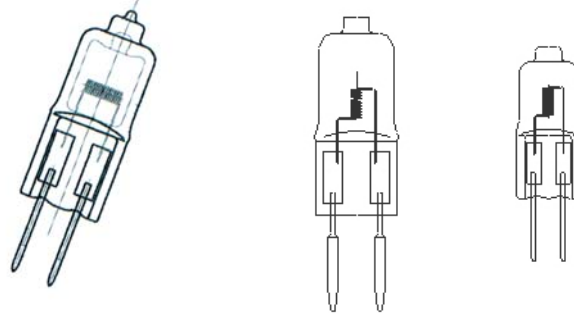
## Low Voltage Halogen Bulbs

Type: JC series / G4, G5.3, G6.35

Type of Filament: Axial filament or Transversal filament

Advantage:

1. High quality, high color temperature
2. Long Service Life: Min life 4000hrs
3. New breakthrough 1: life to be 10000hrs
4. New breakthrough 2: High color temperature 3100K/4000hrs



Type	Voltage (V)	Watts (W)	Color temperature (K)	Life (h)	Base	Packing details 1000pcs/ctn	
JC	6	5	2750	4000	G5.3 GZ4 G6.35 GY6.35	41 x 18 x 17cm	
		10	2750	4000		41 x 18 x 17cm	
		15	2800	4000		41 x 18 x 17cm	
		20	2800	4000		41 x 18 x 17cm	
	12	5	2750	4000		41 x 18 x 17cm	
		10	2800	4000		41 x 18 x 17cm	
		15	2800	4000		41 x 18 x 17cm	
		20	2800	4000		41 x 18 x 17cm	
		35	2900	4000		41 x 18 x 17cm	
	24	50	2950	4000		41 x 18 x 17cm	
		10	2800	4000		41 x 18 x 17cm	
		20	2800	4000		41 x 18 x 17cm	
		35	2900	4000		41 x 18 x 17cm	
			50	2900		4000	41 x 18 x 17cm



# FOSHAN RUN YANG LIGHTING CO.,LTD.

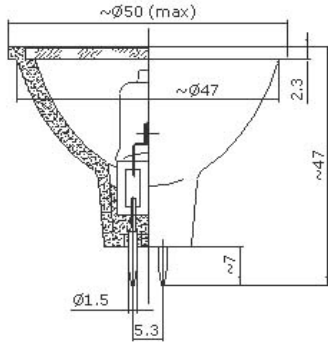
(Foshan Everbight Lighting Co.,Ltd.)

Add:Jiebian Industrial Zone,Luocun,Nanhai

Foshan,Guangdong,China

Tel/Fax: 86-0757-8613 8510/8644 3933

Web: <http://www.runyanglighting.com>



## Low Voltage Reflector Halogen Lamp

Type: MR11, MR16

Color of Reflector: Black, Grey, Green, Red etc.

Type of Filament: Axial filament or Transversal filament

Advantage:

1. High quality, high color temperature
2. Long Service Life: Min life 4000hrs
3. New breakthrough 1: life to be 10000hrs
4. New breakthrough 2: High color temperature 3100K/4000hrs

Type	Code	Voltage (v)	Watts (w)	Beam Angle (° )	Avg.Life (h)	Base	Packing details 200pcs/ctn
MR11	FTB	12	20	10	4000	GU4 GZ4	32 x 20 x 22cm
	FTC			20	4000		32 x 20 x 22cm
	FTD			30	4000		32 x 20 x 22cm
	FTE		35	10	4000		32 x 20 x 22cm
	FTF			20	4000		32 x 20 x 22cm
	FTH			30	4000		32 x 20 x 22cm
MR16	ESX	12	20	12	4000	GU5.3 GX5.3	43 x 27 x 28cm
	BBF			24	4000		43 x 27 x 28cm
	BAB			38	4000		43 x 27 x 28cm
	FMT		35	12	4000		43 x 27 x 28cm
	FMY			24	4000		43 x 27 x 28cm
	FMW			38	4000		43 x 27 x 28cm
	EXT		50	12	4000		43 x 27 x 28cm
	EXZ			24	4000		43 x 27 x 28cm
	EXN			38	4000		43 x 27 x 28cm
	ENV			60	4000		43 x 27 x 28cm



# FOSHAN RUN YANG LIGHTING CO.,LTD.

(Foshan Everbight Lighting Co.,Ltd.)

Add:Jiebian Industrial Zone,Luocun,Nanhai  
Foshan,Guangdong,China

Tel/Fax: 86-0757-8613 8510/8644 3933

Web: <http://www.runyanglighting.com>

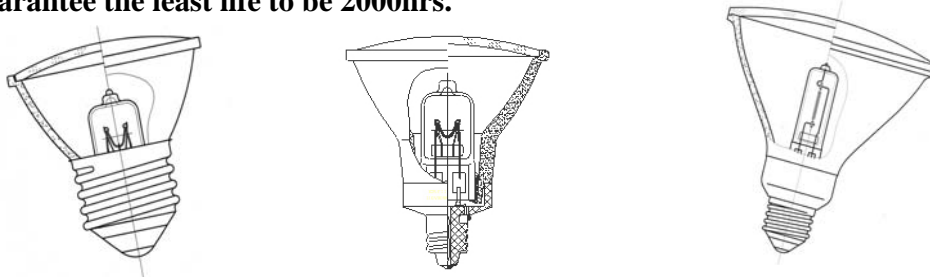
## Main Voltage Reflector Halogen Lamp

Type: HR16, JDR E-11, PAR16, PAR20, PAR30, PAR38

### OUR GUARANTEE:

1. With the design of the fuse, the bulb can be 100% blastproof even if it burns out or short-circuit.

2. Guarantee the least life to be 2000hrs.



Type	Voltage (v)	Watts (w)	Beam angle (°)	CBCP (cd)	Life (h)	Base	Packing details 200pcs/ctn
HR16	110V-130V	35	38°	550	2000	HR16	55x28x25cm
	220V-240V	50	38°	900	2000		55x28x25cm
JDR E-11	110V-130V	35	38°	550	2000	E11	55 x 28 x 25cm
	220V-240V	50	38°	900	2000		55 x 28 x 25cm
PAR16	110-130	35	25°	550	2000	E26 E27	56x22x34cm
		50	25°	900	2000		56x22x34cm
PAR20	110-130	50	25° or 30°	900	2000		76.5x36x21cm
		75	25° or 30°	1500	2000		76.5x36x21cm
PAR30	110-130	75	25° or 40°	1500	2000		51x51x21cm
		100	25° or 40°	2000	2000		51x51x21cm
PAR38	110-130	100	30° or 40°	2200	2000		60x25x30cm
		150	30° or 40°	3600	2000		60x25x30cm
PAR16	220-240	35	25°	500	2000		56x22x34cm
		50	25°	800	2000		56x22x34cm
PAR20	220-240	50	25° or 30°	800	2000		56x22x34cm
		75	25° or 30°	1400	2000		76.5x36x21cm
PAR30	220-240	75	25° or 40°	1200	2000		51x51x21cm
		100	25° or 40°	1650	2000		51x51x21cm
PAR38	220-240	100	30° or 40°	2000	2000		60x25x30cm
		150	30° or 40°	3400	2000		60x25x30cm





## FOSHAN RUN YANG LIGHTING CO.,LTD.

(Foshan Everbight Lighting Co.,Ltd.)

Add:Jiebian Industrial Zone,Luocun,Nanhai  
Foshan,Guangdong,China

Tel/Fax: 86-0757-8613 8510/8644 3933

Web: <http://www.runyanglighting.com>

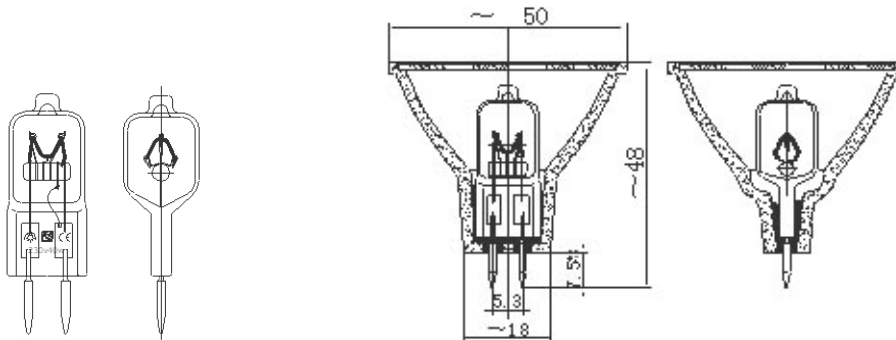
### Main Voltage Halogen Bulbs

Type: JCD (Blastproof) , JCDR

Specification: 110-130V/220-240V, 25W-75W

Advantage and Guarantee of our JCD bulbs:

- 1.With the design of the fuse, the bulb can be 100% blastproof even if it burns out or short-circuit.
- 2.Guarantee the least life to be 2000hrs.



### Main Voltage Halogen Bulbs

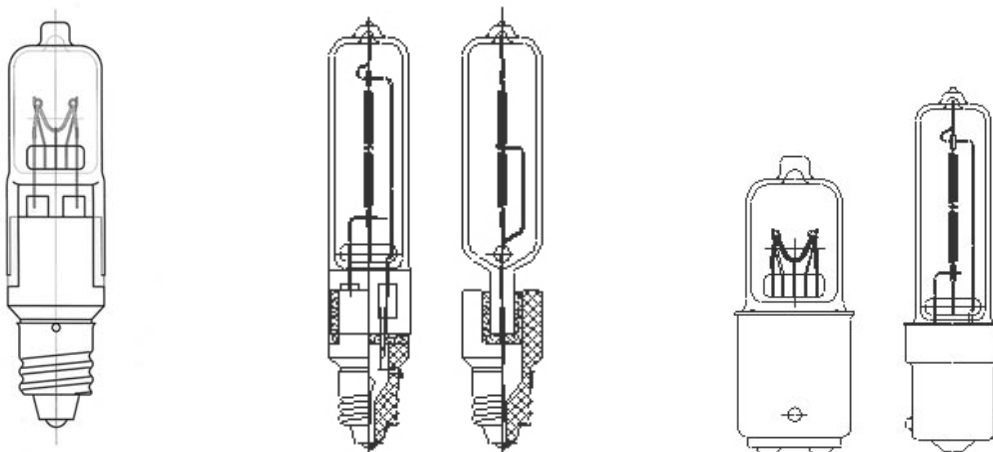
Type: JD-E11/E14/BA-15D

Specification: 110-130V/220-240V, 20W-150W

Filament: M shape or Axial Filament

Advantage and Guarantee of our JD series:

- 1.With the design of the fuse, the bulb can be 100% blastproof even if it burns out or short-circuit.
- 2.Guarantee the least life to be 2000hrs.





## FOSHAN RUN YANG LIGHTING CO.,LTD.

(Foshan Everbight Lighting Co.,Ltd.)

Add:Jiebian Industrial Zone,Luocun,Nanhai  
Foshan,Guangdong,China

Tel/Fax: 86-0757-8613 8510/8644 3933

Web: <http://www.runyanglighting.com>

**Main Voltage Halogen Bulbs**

**Type: JCD Straight Filament**

**Specification:**

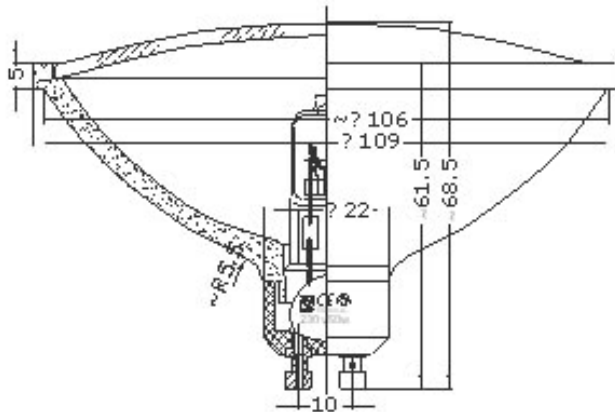
**Voltage (V): 110V-130V / 220V-240V**

**Watts (W): 50-150W**

**Lumen: 13-16lm/W**

**Average Life (H): 2000h**

**Base: G5.3; G6.35; G8; G9; E11**



**Type: GU10 ES111**

**Specification:**

**Voltage (V): 110V/240V**

**Watts (W): 35W-150W**

**Base: GU10**

**Lamp Cover: with various colors, red, green, black etc.**

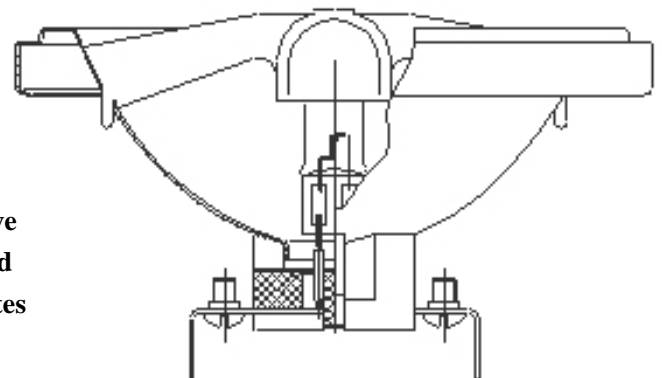
**Application: General display lighting**

**Type: AR70, AR111**

**Specification: 10W-75W**

**Spot Degree: 8 degree, 24 degree, 45 degree**

AR70/AR111 low voltage halogen lamps are designed for display and accent lighting. The precisely engineered aluminum reflectors combined with UV-stop capsules produce an unmatched directional light source. High performance axial filament lamps combined with innovative reflector design result in high center beam candlepower and exceptionally smooth beam patterns. A central cap eliminates glare from the direct light beam.



**Exceptionally smooth beam pattern**

**4000hour lamp life**

**UV-stop capsule**



## FOSHAN RUN YANG LIGHTING CO.,LTD.

(Foshan Everbight Lighting Co.,Ltd.)

Add:Jiebian Industrial Zone,Luocun,Nanhai

Foshan,Guangdong,China

Tel/Fax: 86-0757-8613 8510/8644 3933

Web: <http://www.runyanglighting.com>

### LED LAMP SERIES

**High-Flux Led MR Type is a compact High-Flux LED light source with high light intensity.**

Color [nm]	Type	Number of LED [n]	Voltage [V]	Watts [W]	Lum.Flux [lm]	Life Hours [H]	Base Type
White 6500K	High Flux LED MR16Wn/GU10W& GZ10Wn/JDRWn/H RWn	1	AC/DC	1	52	30000	G5.3
White 3100K		1	AC/DC	1	35	30000	
White 6500K		1	AC/DC	3	105	30000	
White 3100K		1	AC/DC	3	60	30000	
White 6500K		3	AC/DC	3.1	310	30000	
White 3100K		3	AC/DC	3.1	180	30000	
Blue 460nm	High-Flux LED MR16Bn/GU10B&G Z10Bn/JDRBn/HRB n	1	AC/DC	1	11	30000	G5.3
		1	AC/DC	3	18	30000	
		3	AC/DC	3.1	34	30000	
Red 625nm	High-Flux LED MR16Rn/GU10R&G Z10Rn/JDRRn/HRR n	1	AC/DC	1	30	30000	G5.3
		1	AC/DC	3	60	30000	
		3	AC/DC	3.1	91	30000	
Green 527nm	High-Flux LED MR16Gn/GU10G&G Z10Gn/JDRGn/HRG n	1	AC/DC	1	48	30000	G5.3
		1	AC/DC	3	93	30000	
		3	AC/DC	3.1	148	30000	
Yellow 590nm	High-Flux LED MR16Yn/GU10Y&G Z10Yn/JDRYn/HRY n	1	AC/DC	1	38	30000	G5.3
		1	AC/DC	3	75	30000	
		3	AC/DC	3.1	116	30000	



**FOSHAN RUN YANG LIGHTING CO.,LTD.**

**(Foshan Everbight Lighting Co.,Ltd.)**

Add:Jiebian Industrial Zone,Luocun,Nanhai

Foshan,Guangdong,China

Tel/Fax: 86-0757-8613 8510/8644 3933

Web: <http://www.runyanglighting.com>

**High-Flux LED GU10 Type is a compact High-Flux LED light source with high light intensity.**

Color [nm]	Type	Number of LED [n]	Voltage[V]	Watts [W]	Lum.Flux [lm]	Life Hours [H]	Base Type
White 6500K	High Flux LED GU10W&GZ10W n	1	AC/DC	1	52	30000	GU10/GZ10
White 3100K		1	AC/DC	1	35	30000	
White 6500K		1	AC/DC	3	105	30000	
White 3100K		1	AC/DC	3	60	30000	
White 6500K		3	AC/DC	3.1	310	30000	
White 3100K		3	AC/DC	3.1	180	30000	
Blue 460nm	High-Flux LED GU10B&GZ10Bn	1	AC/DC	1	11	30000	G5.3
		1	AC/DC	3	18	30000	
		3	AC/DC	3.1	34	30000	
Red 625nm	High-Flux LED GU10R&GZ10Rn	1	AC/DC	1	30	30000	G5.3
		1	AC/DC	3	60	30000	
		3	AC/DC	3.1	91	30000	
Green 527nm	High-Flux LED GU10G&GZ10Gn	1	AC/DC	1	48	30000	G5.3
		1	AC/DC	3	93	30000	
		3	AC/DC	3.1	148	30000	
Yellow 590nm	High-Flux LED GU10Y&GZ10Yn	1	AC/DC	1	38	30000	G5.3
		1	AC/DC	3	75	30000	
		3	AC/DC	3.1	116	30000	



**FOSHAN RUN YANG LIGHTING CO.,LTD.**

**(Foshan Everbight Lighting Co.,Ltd.)**

Add:Jiebian Industrial Zone,Luocun,Nanhai

Foshan,Guangdong,China

Tel/Fax: 86-0757-8613 8510/8644 3933

Web: <http://www.runyanglighting.com>

**High-Flux LED Type is a compact High-Flux LED light source with high light intensity.**

Color [nm]	Type	Number of LED [n]	Voltage [V]	Watts [W]	Lum.Flux [lm]	Life Hours [H]	Glass Type
White 6500K	High Flux LED AR70Wn	3	12/24	3.1	156	30000	AR70
White 3100K		3	12/24	3.1	105	3100	
White 6500K		3	12/24	9.1	310	6500	
White 3100K		3	12/24	9.1	108	3100	
Blue 460nm	High-Flux LED MR16Bn/GU10B &GZ10Bn/JDRBn/ HRBn	1	AC/DC	1	11	30000	G5.3
		1	AC/DC	3	18	30000	
		3	AC/DC	3.1	34	30000	
Red 625nm	High-Flux LED MR16Rn/GU10R &GZ10Rn/JDRRn/ HRRn	1	AC/DC	1	30	30000	G5.3
		1	AC/DC	3	60	30000	
		3	AC/DC	3.1	91	30000	
Green 527nm	High-Flux LED MR16Gn/GU10G &GZ10Gn/JDRGn /HRGn	1	AC/DC	1	48	30000	G5.3
		1	AC/DC	3	93	30000	
		3	AC/DC	3.1	148	30000	
Yellow 590nm	High-Flux LED MR16Yn/GU10Y &GZ10Yn/JDRYn/ HRYn	1	AC/DC	1	38	30000	G5.3
		1	AC/DC	3	75	30000	
		3	AC/DC	3.1	116	30000	
PAR30-7×1W	7 piece of High power LED	R/Y/B/G/W/WW		AC/DC	7Watt	IP-54	E26 E27 B22 SCRW.TERM
PAR38-12×1W	12 piece of High power LED	R/Y/B/G/W/WW		AC/DC	12Watt	IP-54	
PAR56-21×1W	21 piece of High power LED	R/Y/B/G/W/WW		AC/DC	21Watt	IP-54	



**FOSHAN RUN YANG LIGHTING CO.,LTD.**

**(Foshan Everbight Lighting Co.,Ltd.)**

Add:Jiebian Industrial Zone,Luocun,Nanhai

Foshan,Guangdong,China

Tel/Fax: 86-0757-8613 8510/8644 3933

Web: <http://www.runyanglighting.com>

**LED Spot light series**

Item Number	Quantity of LEDs	Colour	Input Voltage	Wattage	IP Rate	Base Type	
PAR30	48-120	R/Y/B/G/W/WW	12V-240V	3-7.2Watt	IP-54	E26	
PAR38	50-210	R/Y/B/G/W/WW	12V-240V	3-8.5Watt	IP-54	E27	
PAR36	48-120	R/Y/B/G/W/WW	12V-240V	3-6Watt	IP-54	B22	
PAR56	50-252	R/Y/B/G/W/WW	12V-240V	3-7.8Watt	IP-54	SCRW.TERM	
JDRE11	6-80	R/Y/B/G/W/WW	12V-240V	0.5-4.5Watt	IP-54	E11/12/14/17 E26 E27 B22 BAD15D B22	
JDRE14	6-80	R/Y/B/G/W/WW	12V-240V	0.5-4.5Watt	IP-54		
JDRE27	6-80	R/Y/B/G/W/WW	12V-240V	0.5-4.5Watt	IP-54		
JDRE14-63	30-120	R/Y/B/G/W/WW	12V-240V	1.8-7.2Watt	IP-54		
JDRE27-63	30-120	R/Y/B/G/W/WW	12V-240V	1.8-7.2Watt	IP-54		
JDR-BA15D	6-80	R/Y/B/G/W/WW	12V-240V	0.5-4.5Watt	IP-54		
PAR20 E27	12-80	R/Y/B/G/W/WW	12V-240V	0.5-4.2Watt	IP-54		E14
PAR16 E14	12-80	R/Y/B/G/W/WW	12V-240V	0.5-4.2Watt	IP-54		E26
PAR16 E27	12-80	R/Y/B/G/W/WW	12V-240V	0.5-4.2Watt	IP-54	E27	
GU10	6-80	R/Y/B/G/W/WW	12V-240V	0.5-4.5Watt	IP-54	B22	
GU20	30-120	R/Y/B/G/W/WW	12V-240V	1.8-7.2Watt	IP-54	GU10 GZ10	
FR111	30-120	R/Y/B/G/W/WW	12V-240V	3.6-7.8Watt	IP-54		
MR11	4-18	R/Y/B/G/W/WW	12V-240V	0.3-1.2Watt	IP-54		
MR16	6-80	R/Y/B/G/W/WW	12V-240V	0.5-4.5Watt	IP-54	G4.0 G5.3	
JCDR-63	30-120	R/Y/B/G/W/WW	12V-240V	1.8-7.2Watt	IP-54		
Φ 50 E27/14	6-48	R/Y/B/G/W/WW	12V-240V	0.3-3Watt	IP-54	E11 E12 E14 E17 E26 E27 B22 BA15D	
Φ 60 E27/14	6-48	R/Y/B/G/W/WW	12V-240V	0.3-3Watt	IP-54		
Φ candle E27/14	18-78	R/Y/B/G/W/WW	12V-240V	0.8-4.5Watt	IP-54		
Φ 70 E27/B22	18-78	R/Y/B/G/W/WW	12V-240V	0.8-4.5Watt	IP-54		
Φ 80 E27/B22	18-120	R/Y/B/G/W/WW	12V-240V	0.8-7.2Watt	IP-54		
Φ 100 E27/B22	30-168	R/Y/B/G/W/WW	12V-240V	1.8-8.1Watt	IP-54		



## FOSHAN RUN YANG LIGHTING CO.,LTD.

(Foshan Everbight Lighting Co.,Ltd.)

Add:Jiebian Industrial Zone,Luocun,Nanhai

Foshan,Guangdong,China

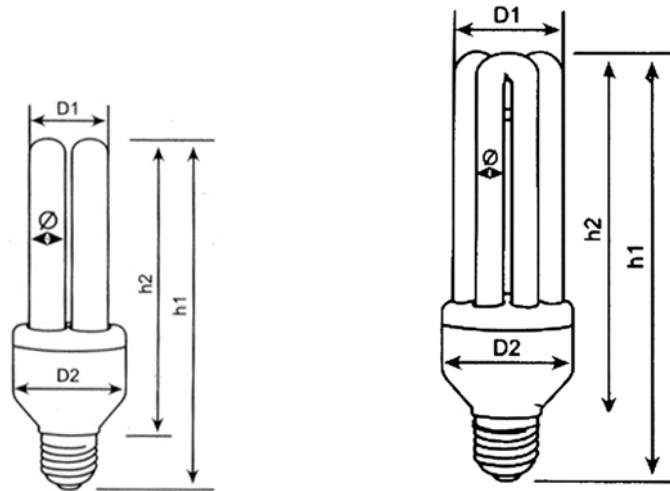
Tel/Fax: 86-0757-8613 8510/8644 3933

Web: <http://www.runyanglighting.com>

### CFL SERIES & Energy Saving Lamp series

#### SDC-M 12V DC & 24V DC Compact Fluorescent Lamp (CFL)

- Pre-heat Circuit Installed
- Polarity Protection
- Rated Voltage: 12V DC (10.5V-15V) or 24V DC (18V-28V)
- Operation Temperature: -10°C—+50°C
- Tested Life Span: 6,000hrs
- Color Temperature: 2700K/4200K/6200K
- Not Dimmable
- Fuse Installed



Model No.	Watt (W)	Luminous Flux (Lm)	Life (h)	Dimension		Packing details 100pcs/ctn
SDC-M 3W	3W	150	6000	54	115	600 x 300 x 410mm
SDC-M 5W	5W	200	6000	54	115	600 x 300 x 410mm
SDC-M 7W	7W	350	6000	54	125	600 x 300 x 410mm
SDC-M 9W	9W	450	6000	54	135	600 x 300 x 410mm
SDC-M 11W	11W	600	6000	54	145	600 x 300 x 410mm
SDC-M 13W	13W	700	6000	54	145	600 x 300 x 410mm
SDC-T 15W	15W	850	6000	52	140	600 x 300 x 410mm
SDC-T 20W	20W	1150	6000	52	155	600 x 300 x 410mm
SDC-T 23W	23W	1250	6000	52	165	600 x 300 x 410mm
SDC-T 25W	25W	1400	6000	52	170	600 x 300 x 410mm



## FOSHAN RUN YANG LIGHTING CO.,LTD.

(Foshan Everbight Lighting Co.,Ltd.)

Add:Jiebian Industrial Zone,Luocun,Nanhai

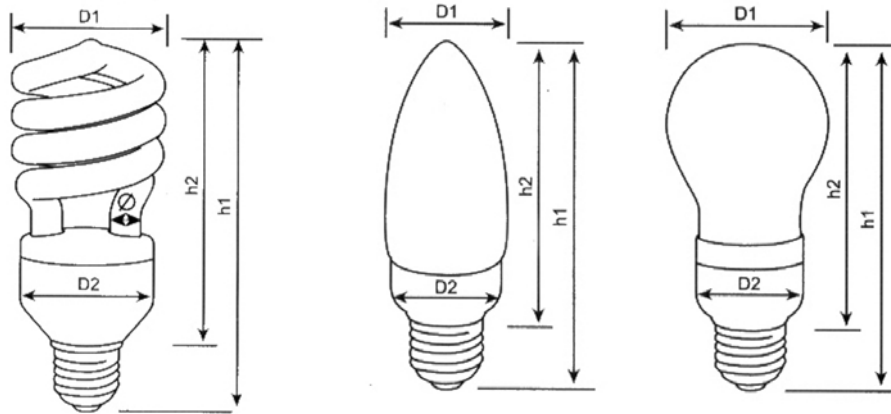
Foshan,Guangdong,China

Tel/Fax: 86-0757-8613 8510/8644 3933

Web: <http://www.runyanglighting.com>

### SDC-M 12V DC & 24V DC Compact Fluorescent Lamp (CFL)

- Pre-heat Circuit Installed
- Polarity Protection
- Rated Voltage: 12V DC (10.5V-15V) or 24V DC (18V-28V)
- Operation Temperature: -10°C—+50°C
- Tested Life Span: 6,000hrs
- Color Temperature: 2700K/4200K/6200K
- Not Dimmable
- Fuse Installed



Model No.	Watt (W)	Luminous Flux (Lm)	Life (h)	Dimension		Packing details 50pcs/ctn
SDC-S 15W	15W	850	6000	52	122	350 x 350 x 350mm
SDC-S 20W	20W	1150	6000	52	132	350 x 350 x 350mm
SDC-S 25W	25W	1400	6000	52	145	350 x 350 x 350mm
SDC-B 5W	5W	200	6000	60	122	380 x 380 x 346mm
SDC-B 7W	7W	350	6000	60	122	380 x 380 x 346mm
SDC-B 9W	9W	450	6000	60	122	380 x 380 x 346mm
SDC-B 11W	11W	550	6000	60	122	380 x 380 x 346mm
SDC-C 5W	5W	200	6000	60	122	380 x 380 x 346mm
SDC-C 7W	7W	350	6000	60	122	380 x 380 x 346mm
SDC-C 9W	9W	450	6000	60	122	380 x 380 x 346mm





## FOSHAN RUN YANG LIGHTING CO.,LTD.

(Foshan Everbight Lighting Co.,Ltd.)

Add:Jiebian Industrial Zone,Luocun,Nanhai  
Foshan,Guangdong,China

Tel/Fax: 86-0757-8613 8510/8644 3933

Web: <http://www.runyanglighting.com>

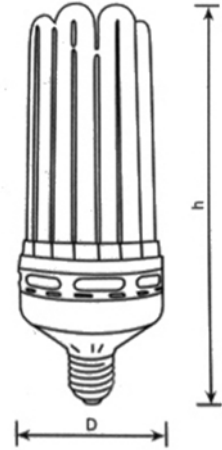
### SLF Energy Saving Lamps

-17mm or 14mm diameter tube, high luminous efficiency

-Long life time, good color rending index

Application: residences, offices, restaurants, hotels, shops.

Packing details: 550 x 465 x 410mm/30pcs



Model	Voltage (V)	Watt (W)	Luminous (Lm)	C.R.I (RA)	Life (h)	Color (K)	Base	Dimension		
								φ	D	H
SLF 45W	220~240	45W	3000	80	8000	2700K	E27	14/17	76	240
SLF 55W		55W	3500	80	8000		B22	14/17	76	250/270
SLF 65W		65W	4500	80	8000	4200K 6200K	E27	14/17	76/88	260/280
SLF 85W		85W	5500	80	8000		E40	17	88	320
SLF 105W		105W	7000	80	8000		B22	17	88	320

### SLM 2U Energy Saving Lamps

-With slim size, excellent in color rending index,

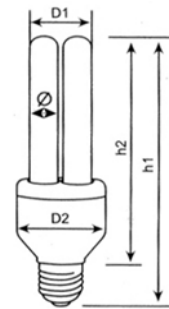
-Less power consumption, saving more energy,

-8,000 hours life time, economical,

-Suitable for many kind of lighting fixtures,

-Good substitute for incandescent lamps in all situations,

-Application: residences, offices, restaurants, hotels, shops.



Model	Voltage (V)	Watt (W)	Luminous (Lm)	C.R.I (RA)	Life (h)	Color (K)	Base	Dimension				
								φ	H <sub>1</sub>	H <sub>2</sub>	D <sub>1</sub>	D <sub>2</sub>
SLM 5W	110~130 OR 220~240	5	300	80	8000	2700K 4200K 6200K	E14 E27 E26 B22	12	115	86	27	41
SLM 7W		7	450	80	8000			12	125	96	27	41
SLM 9W		9	550	80	8000			12	135	106	27	41
SLM 11W		11	700	80	8000			12	145	116	27	41
SLM 13W		13	800	80	8000			12	150	121	27	41
SLM 15W		15	900	80	8000			12	165	136	27	45
SMM 5W		5	300	80	8000			9	110	83	22	40
SMM 7W		7	450	80	8000			9	122	93	22	40
SMM 9W		9	550	80	8000			9	132	103	22	40
SMM 11W		11	700	80	8000			9	142	113	22	40



# FOSHAN RUN YANG LIGHTING CO.,LTD.

(Foshan Everbight Lighting Co.,Ltd.)

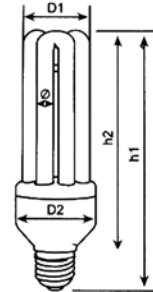
Add:Jiebian Industrial Zone,Luocun,Nanhai  
Foshan,Guangdong,China

Tel/Fax: 86-0757-8613 8510/8644 3933

Web: <http://www.runyanglighting.com>

## SLT 3U Energy Saving Lamps

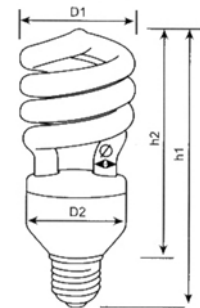
- High luminous efficiency, excellent in color rendering index
  - Less power consumption, saving more energy
  - 8,000 hours life time, economical
  - Good substitute for incandescent lamps in all situations
- Application: residences, offices, restaurants, hotels, shops.



Model	Voltage (V)	Watt (W)	Luminous (Lm)	C.R.I (RA)	Life (h)	Color (K)	Base	Dimension				
								φ	H <sub>1</sub>	H <sub>2</sub>	D <sub>1</sub>	D <sub>2</sub>
SLT 15W	110~130 OR 220~240	15W	900	80	8000	2700K 4200K 6200K	E27 E26 B22	12	140	111	42	52
SLT 20W		20W	1200	80	8000			12	155	126	42	52
SLT 23W		23W	1400	80	8000			12	165	136	42	52
SLT 25W		25W	1500	80	8000			12	170	141	42	52
SLT 9W		9W	560	80	8000			9	114	85	34	40
SLT 11W		11W	700	80	8000			9	124	95	34	40
SLT 13W		13W	800	80	8000			9	134	105	34	40
SLT 15W		15W	920	80	8000			9	144	115	34	40

## SLS Spiral Energy Saving Lamps

- Spiral shape in design, high luminous efficiency
  - Excellent in color rendering index, saving more energy
  - 8,000 hours life time, economical
- Application: residences, offices, restaurants, hotels, shops.



Model	Voltage (V)	Watt (W)	Luminous (Lm)	C.R.I (RA)	Life (h)	Color (K)	Base	Dimension			
								φ	H <sub>1</sub>	D <sub>1</sub>	D <sub>2</sub>
SLS 15W	110~130 OR 220~240	15W	950	80	8000	2700K 4200K 6200K	E14 E27 E26 B22	12	129	58	52
SLS 20W		20W	1300	80	8000			12	139	58	52
SLS 23W		23W	1500	80	8000			12	149	58	52
SLS 27W		27W	1700	80	8000			12	165	58	52
SLSM 9W		9W	600	80	8000			9	115	44	40
SLSM 11W		11W	700	80	8000			9	120	44	40
SLSM 13W		13W	800	80	8000			9	125	44	40
SLSN 7W		7W	450	80	8000			9	90	44	48
SLSN 9W		9W	600	80	8000			9	100	44	48
SLSN 11W		11W	700	80	8000			9	110	44	48
SLSN 13W		13W	900	80	8000			9	120	44	48



# FOSHAN RUN YANG LIGHTING CO.,LTD.

(Foshan Everbight Lighting Co.,Ltd.)

Add:Jiebian Industrial Zone,Luocun,Nanhai

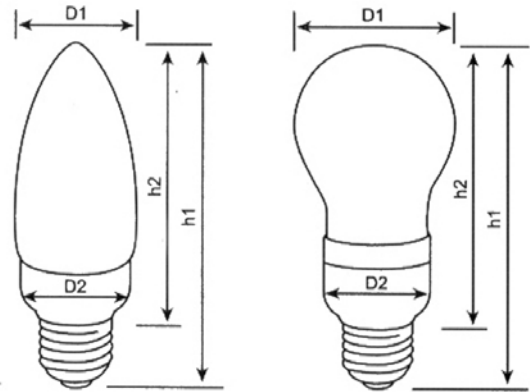
Foshan,Guangdong,China

Tel/Fax: 86-0757-8613 8510/8644 3933

Web: <http://www.runyanglighting.com>

## SLB & SLC Energy Saving Lamps

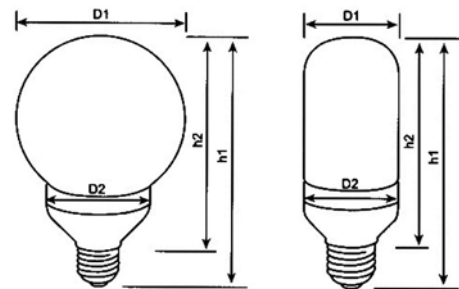
- Incandescent lamps shape, Candle shape
  - Soft and comfortable lighting, excellent in color rendering index
  - Less power consumption, saving more energy
- Application:** residences, offices, restaurants, hotels, shops.



Model	Voltage (V)	Watt (W)	Luminous (Lm)	C.R.I (RA)	Life (h)	Color (K)	Base	Dimension			
								H <sub>1</sub>	H <sub>2</sub>	D <sub>1</sub>	D <sub>2</sub>
SLB 5W	110~130 OR 220~240	5W	180	80	8000	2700K 4200K 6200K	E14 E27 E26 B22	122	93	60	41
SLB 7W		7W	280	80	8000			122	93	60	41
SLB 9W		9W	350	80	8000			122	93	60	41
SLB 11W		11W	450	80	8000			122	93	66	41
SLC 5W		5W	180	80	8000			140	111	50	41
SLC 7W		7W	280	80	8000			140	111	50	41
SLC 9W		9W	350	80	8000			140	111	50	41

## SBB & SGG Energy Saving Lamps

- Soft and comfortable lighting, excellent in color rendering index
  - Less power consumption, saving more energy
- Application:** residences, offices, restaurants, hotels, shops.



Model	Voltage (V)	Watt (W)	Luminous (Lm)	C.R.I (RA)	Life (h)	Color (K)	Base	Dimension			
								H <sub>1</sub>	H <sub>2</sub>	D <sub>1</sub>	D <sub>2</sub>
SBB 15W	110~130 OR 220~240	15W	600	80	8000	2700K 4200K 6200K	E27 E26 B22	142	113	50	75
SBB 20W		20W	820	80	8000			162	133	65	75
SGG 15W		15W	600	80	8000			140	111	110	75
SGG 20W		20W	820	80	8000			161	132	110	75
SGG 23W		23W	960	80	8000			171	142	120	75
SGG 25W		25W	1050	80	8000			171	142	120	75



## FOSHAN RUN YANG LIGHTING CO.,LTD.

(Foshan Everbight Lighting Co.,Ltd.)

Add:Jiebian Industrial Zone,Luocun,Nanhai  
Foshan,Guangdong,China

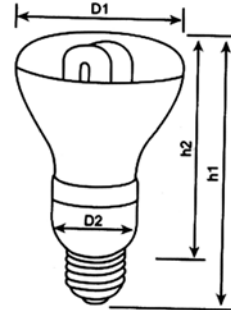
Tel/Fax: 86-0757-8613 8510/8644 3933

Web: <http://www.runyanglighting.com>

### SLP Energy Saving Reflector

-Spotlight design

Application: residences, offices, restaurants, hotels, shops.



Model	Voltage (V)	Watt (W)	Luminous (Lm)	C.R.I (RA)	Life (h)	Color (K)	Base	Dimension			
								H <sub>1</sub>	H <sub>2</sub>	D <sub>1</sub>	D <sub>2</sub>
SLP 5W	110~130 OR 220~240	5W	300	80	8000	2700K 4200K 6200K	E14 E27 E26 B22	122	93	80	41
SLP 7W		7W	450	80	8000			122	93	80	41
SLP 9W		9W	550	80	8000			132	103	80	41
SLP 11W		11W	600	80	8000			142	113	80	41
SLP 15W		15W	850	80	8000			145	115	90	50
SLP 20W		20W	1200	80	8000			145	115	90	50
SLP 25W		25W	1500	80	8000			175	145	120	58
SLP 27W		27W	1700	80	8000			175	145	120	58
SLP 30W		30W	2000	80	8000			175	145	120	58

### SLT-SS and SLS-SS Sensor Energy Saving Lamp

-Luminous sensitization (turn off automatically in daylight, turn on automatically at night)

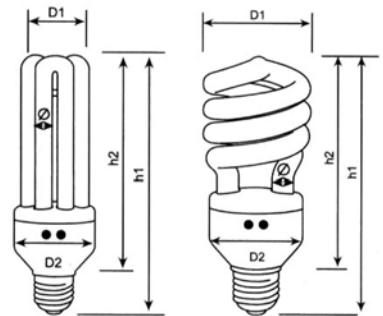
-Pre-heat Circuit Installed

-Polarity Protection

-Rated Voltage: DC 12V(10.5V-15V) or 24V(18V-28V)

-AC 110-130V or 220-240V

-Operation Temperature: -10°C~50°C



Model	Voltage (V)	Watt (W)	Luminous (Lm)	C.R.I (RA)	Life (h)	Color (K)	Base	Dimension			
								φ	H <sub>1</sub>	D <sub>1</sub>	D <sub>2</sub>
SLT-SS 15W	110~130 OR 220~240	15W	900	80	8000	2700K 4200K 6200K	E14 E27 E26 B22	12	140	42	52
SLT-SS 20W		20W	1200	80	8000			12	155	42	52
SLT-SS 25W		25W	1500	80	8000			12	170	42	52
SLS-SS 15W		15W	950	80	8000			12	129	58	52
SLS-SS 20W		20W	1300	80	8000			12	139	58	52
SLS-SS 25W		25W	1500	80	8000			12	165	58	52



## FOSHAN RUN YANG LIGHTING CO.,LTD.

(Foshan Everbight Lighting Co.,Ltd.)

Add:Jiebian Industrial Zone,Luocun,Nanhai

Foshan,Guangdong,China

Tel/Fax: 86-0757-8613 8510/8644 3933

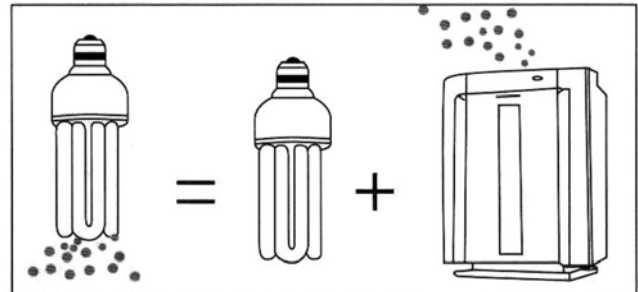
Web: <http://www.runyanglighting.com>

### SLT-AR Anion Air Purifying Lamp

- Rated Voltage: 12V or 24V or 220~240V
- Killing germs and eliminate dust
- Purify air
- Nullify odours
- Increase immunity-in relation to allergy particles

#### Cautions:

- Do not touch or scratch the Anion Releaser at the middle of the lamp tubes
- Do not use the product in a Seal Type lampshade
- Do not use the product in Extreme Humid environment
- Do not use the product in Dimmer system



ONE ION CLEANING LAMP=ONE ENERGY SAVING LAMP+ONE AIR DEPURATOR

Watt	Voltage/frequency	Color temp	Life	Tube base
15W~25W	(12V,120V,220V)/(50Hz/60Hz)	Yellow	8000h	E27, B22

### SLT-ME Mosquito Eviction Lamp

-Mosquito Eviction Lamp can evictee mosquito, reduce the frequency of mosquito bite, the effective range is about 6m square.

-Test data (time: 19:30~21:10)

Test range	The mosquito quantity before light open	30 min		60 min	
		Bite quantity	Dispel effect %	Bite quantity	Dispel effect %
2m square	15	3	80	4	73.3
4m square	12	5	58.3	5	58.3
6m square	31	13	58.1	12	61.3
Average	19.3	7	63.73	7.3	62.18



# FOSHAN RUN YANG LIGHTING CO.,LTD.

(Foshan Everbight Lighting Co.,Ltd.)

Add:Jiebian Industrial Zone,Luocun,Nanhai

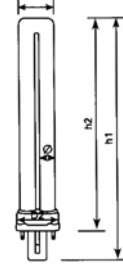
Foshan,Guangdong,China

Tel/Fax: 86-0757-8613 8510/8644 3933

Web: <http://www.runyanglighting.com>

## FLS&FLD&PL Compact Fluorescent Lamps

- With slim size, fit all kinds of lighting fixtures
- Excellent in color rendering index, Less power consumption
- Saving more energy
- 12,000 hours life time, economical



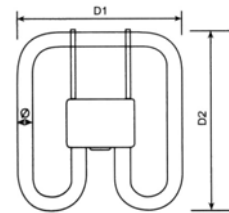
Application: residences, offices, restaurants, hotels, shops.

Model	Voltage (V)	Watt (W)	Luminous (Lm)	C.R.I (RA)	Life (h)	Color (K)	Base	Dimension				
								φ	H <sub>1</sub>	H <sub>2</sub>	D <sub>1</sub>	D <sub>2</sub>
FLS 7W	220~240	7W	380	80	1200	2700K 4200K 6200K	G23	12	137	115	27	32
FLS 9W		9W	550	80	1200		G23	12	167	145	27	32
FLS 11W		11W	820	80	1200		G23	12	237	215	27	32
FLD 10W		10W	560	80	1200		G24d-1G24q-1	12	113	92	27	34
FLD 13W		13W	780	80	1200			12	143	122	27	34
FLD 18W		18W	1100	80	1200		G24d-2G24q-2	12	163	142	27	34
FLD 26W		26W	1700	80	1200		G24d-3G24q-3	12	175	154	27	34
PL 18W		18W	1200	80	1200		2G11	17	229	195	38	50
PL 24W		24W	1800	80	1200			17	329	295	38	50
PL 36W		36W	2900	80	1200			17	413	379	38	50
PL 40W		40W	3500	80	1200			17	535	501	38	50
PL55W		55W	4800	80	1200			17	535	501	38	50

## 2D & 2C Compact Fluorescent Lamps

- 17mm diameter tube, high luminous efficiency
- Long life time, good color rendering index

Application: residences, offices, restaurants, hotels, shops.



Model	Voltage (V)	Watt (W)	Luminous (Lm)	C.R.I (RA)	Life (h)	Color (K)	Base	Dimension		
								φ	D <sub>1</sub>	D <sub>2</sub>
2D 16W	220~240	16W	1000	80	12000	2700K 4200K 6200K	GR8 GR10	17	130	130
2D 21W		21W	1200	80	12000			17	130	130
2D 28W		28W	1800	80	12000			17	190	200
2D 38W		38W	3000	80	12000			17	190	200
2D 16W		16W	1000	80	12000			17	130	130
2D 21W		21W	1200	80	12000			17	130	130
2D 28W		28W	1800	80	12000			17	190	200
2D 38W		38W	3000	80	12000			17	190	200



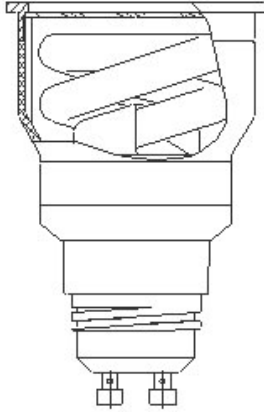
**FOSHAN RUN YANG LIGHTING CO.,LTD.**

**(Foshan Everbight Lighting Co.,Ltd.)**

Address: Jiebian Industrial Zone, Luocun, Nanhai  
Foshan, Guangdong, China

Tel/Fax: 86-0757-8613 8510/8644 3933

Web: <http://www.runyanglighting.com>



**NEW ITEMS: CFL GU10**

**Specification: 7W, 9W/50HZ**

**Base: GU10, E26-27, E14**

**Color of back cover : white, black, transparent**

**Color temperature of the tube: 2700K, 4100K, 6400K**

**Luminous flux: 250-300lm/7W, 270-320lm/9W**

**Service life: 5000hrs**

**Special design of the spiral bulbs**

**Light effect: 20-25lm/w**

**Color rendering index: 70-80 Ra**

**Power parameter: 240V 120V Current: 50mA±5/7W, 80mA±5/9W**

**Power factor: 60%±5**

**Life time: under the following factor**

**1) Environment temperature + 40°C ~ -40°C**

**2) Environment humidity ≤ 65 %**

**3) Input voltage: ≠ nominal voltage**

**4) Continuous service: ≠ 20 hrs/day**



## **FOSHAN RUN YANG LIGHTING CO.,LTD.**

**(Foshan Everbight Lighting Co.,Ltd.)**

Add:Jiebian Industrial Zone,Luocun,Nanhai

Foshan,Guangdong,China

Tel/Fax: 86-0757-8613 8510/8644 3933

Web: <http://www.runyanglighting.com>

---

### **COLD CATHODE LAMP**

Cold cathode lamp is a kind of low pressure glow gas discharge lamp. Currently, it is mainly applied as the background light source of Liquid Cristal Display and laptop etc. Our products introduce the Cold cathode lamps into the lighting field, which represents the great breakthrough on the energy-saving technology. The whole series of cold cathode lamp are bright in colors, and can be as perfect as the fluorescent lamp or halogen bulbs not matter from the out-looking, size or colors etc. However, the extra long life and the outstanding low energy consumption are the advantages that other light source can't compare. The cold cathode lamp from our company can be lighten at any location and keep the stable luminous flux output even on the very wide temperature range.

- ✧ Compared with the fluorescent lamp, 80% energy saving, is one of the key promotional products for the Green lights.
- ✧ Life is 20 times of the fluorescent lamp's, which greatly reduce the maintenance cost.
- ✧ High color rendering can fully revert the original color of the irradiated objects.
- ✧ Turn on/off more than 200,000 times, easy to dimmable smoothly.
- ✧ Small tube, compact structure, low temperature for the electrode & Low temperature-rising appear on the surface of the tube
- ✧ Our products can offer the whole series cold cathode lamp with various shape, length, power, color temperature etc. The main products are including:
  - Cold cathode fluorescent lamp
  - Cold cathode halogen lamp
  - Cold cathode reflector
  - Cold cathode PAR lamp
  - Cold cathode inverter
- ✧ Our company's cold cathode lamp can be applied to various commercial or residence lighting occasion, such as crystal lamps, reading lamp, floor lamp, underwater lamp and other outdoor lighting etc.





**FOSHAN RUN YANG LIGHTING CO.,LTD.**

**(Foshan Everbight Lighting Co.,Ltd.)**

Add:Jiebian Industrial Zone,Luocun,Nanhai

Foshan,Guangdong,China

Tel/Fax: 86-0757-8613 8510/8644 3933

Web: <http://www.runyanglighting.com>

**Cold cathode lamp candle bulb C32/G45/ C32L/ C35L**

High luminous efficiency, long life, good color rendering, convenience using

With special transformer

Red,yellow, blue, green, white color is available.

Description	Watts(W)	Lumens(LM)	CCT ° K	CRI	Avg.Life(H)	Base
CCFL--- C32/G45/ C32L/ C35L	3	90	2700-6000	85	20000	G5.3/E14/E26/E27
	5	200				
	7	350				

**Cold Cathod Lamp JC/G9/GU10**

High luminous efficiency, long life, good color rendering

With special transformer

Red,yellow, blue, green, white color is available.

Clear or frost are available

Description	Watts(W)	Lumens (LM)	CCT ° K	CRI	Avg.Life(H)	Base
CCFL-JC/G9/GU10	3	90	2700-6000	85	20000	G5.3/G8,G9/GU10
	5	200				

**Cold Cathode lamp MR11/MR16/GU10/GU20/HR16**

High luminous efficiency, long life, good color rendering

With special transformer

Red,yellow, blue, green, white color is available.

Description	Watts(W)	Lumens(LM)	CCT ° K	CRI	Avg.Life(H)	Base
CCFL-MR11	1	1	30	2700-6500	20000	G4/G5.3
	3	3	90			
CCFL-MR16	1	1	30	2700-6500	20000	G5.3
	3	3	90			
	5	5	200			
CCFL-HR16	1	1	30	2700-6500	20000	E26/E27
	3	3	90			
	5	5	200			
CCFL-GU10	1	1	30	2700-6500	20000	GU10
	3	3	90			
	5	5	200			
CCFL-GU20	3	3	90	2700-6500	20000	GU10
	5	5	200			
	7	7	350			