

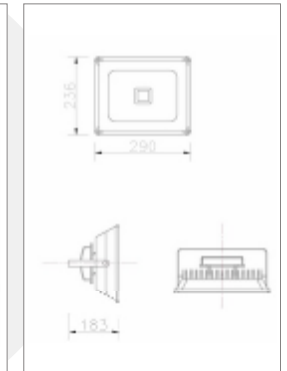
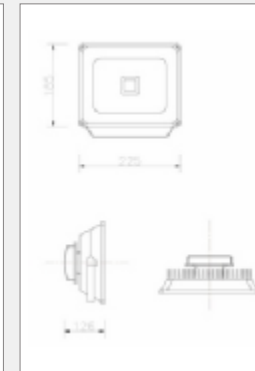
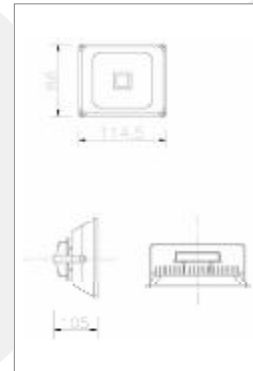


HIGH POWER FLOODLIGHT

OUTDOOR LED LIGHTING

Characteristics:

- High power Epistar chip source.
- Superbright cool light output (no UV).
- Pure aluminum , excellent heat-dissipation.
- IP 65 waterproof degree.
- Energy-saving and Environment-friendly.
- Application: Floodlighting and wall washing for bars, clubs, hotels, stages, parks, plazas, commercial buildings facade, mosques, museums, and art galleries, historical buildings.



Model	Led quantity	Input power	Input voltage	Beam angle	Color	Net weight (KG)
10W High power LED floodlight	1pc	10W	DC24V/AC220V	90°/120°	CW/WW	0.61
20W High power LED floodlight	1pc	20W	DC24V/AC220V	90°/120°	CW/WW	1.0
30W High power LED floodlight	1pc	30W	DC24V/AC220V	90°/120°	CW/WW	2.2
50W High power LED floodlight	1pc	50W	DC24V/AC220V	90°/120°	CW/WW	3.5

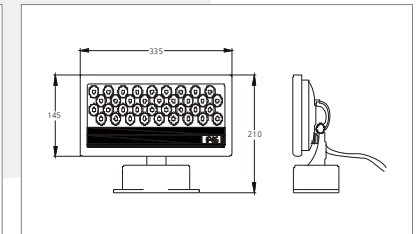
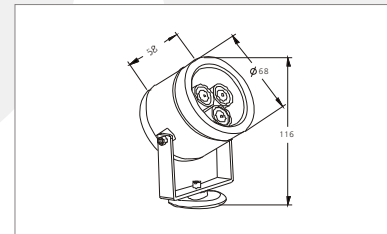
CW-Cool White, WW-Warm White



LED PROJECTOR OUTDOOR LED LIGHTING

Characteristics:

- High power single LED gives high brightness and long life, reliable performance.
- Logical structure design, elective angle adjusting, easy to install.
- High power led, energy saving, enviromental protection, long service time, no UV radiation etc.
- Good performance of high temperature resistance and climate resistance.
- Control mode: DMX 512 protocol control, external control, internal control are available.



Model	Led quantity	Input power	Input voltage	Beam angle	Color	Waterproof grade	Dimension(mm)	Net weight (KG)
3x3W Led projector	3pcs	9W	DC24V	25°/60°	R/Y/B/G/W/E/F (one chip RGB color)	IP65	Φ 68*115(H)	0.65
18x1W Led projector	18pcs	18W	DC24V	25°/60°	R/Y/B/G/W/E/F	IP65	Φ 150*198(H)	1.2
36x1W Led projector	36pcs	36W	DC24V	25°/60°	R/Y/B/G/W/E/F	IP65	335(L)*145(W)*210(H)	3.5

R-red, Y-yellow, B-blue, G-green, W-cool white, E-warm white, F-RGB color

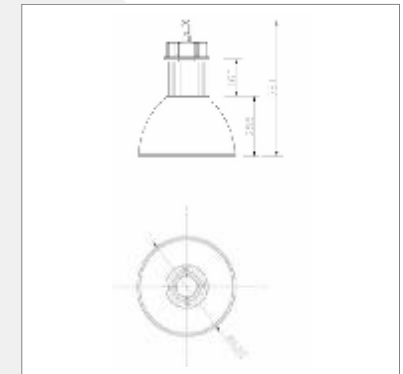
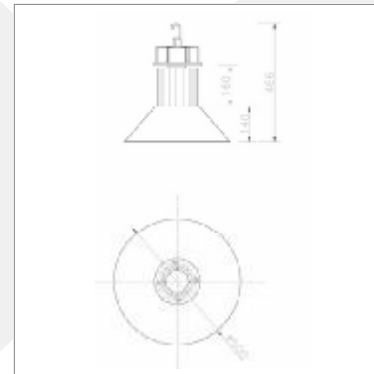


LED HIGH BAY LIGHT

OUTDOOR LED LIGHTING

Characteristics:

- High power single led source.
- Integrative design for heat sink and housing.
- The surface is passed through anodic oxidation treatment.
- IP 65 waterproof degree.
- Energy-saving and Environment-friendly.
- Application: Used for factory, coal mine, exhibition and commercial lighting.



Model	Led quantity	Input power	Input voltage	Beam angle	Color	Material	Package size(mm)
30W LED High bay light	1pc	30W	AC85-265V	45°/120°	CW/WW	Die-casting	240*240*260
50W LED High bay light	1pc	50W	AC85-265V	45°/120°	CW/WW	Die-casting	240*240*300
100W LED High bay light	1pc	100W	AC85-266V	45°/120°	CW/WW	Die-casting	240*240*350

CW-Cool White, WW-Warm White