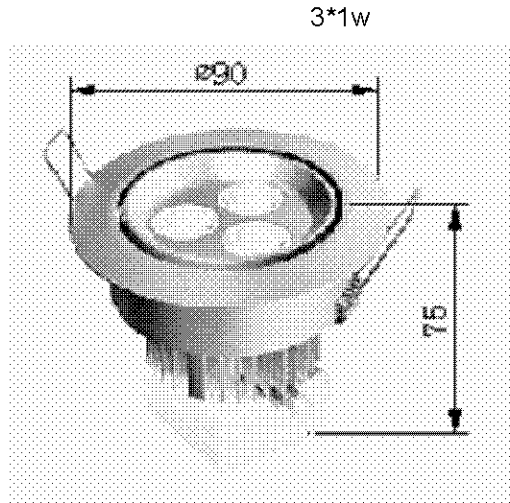
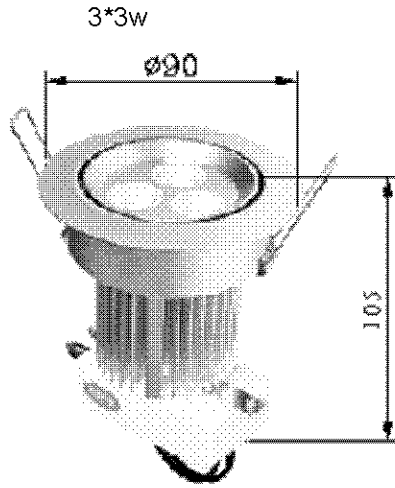


# LED DOWNLIGHT(with driver)

## Specification

### 1. Structure Dimensions



NOTE:  
Unit:mm  
Not Specified Tolerance:+0.25mm

### 2. Characteristics

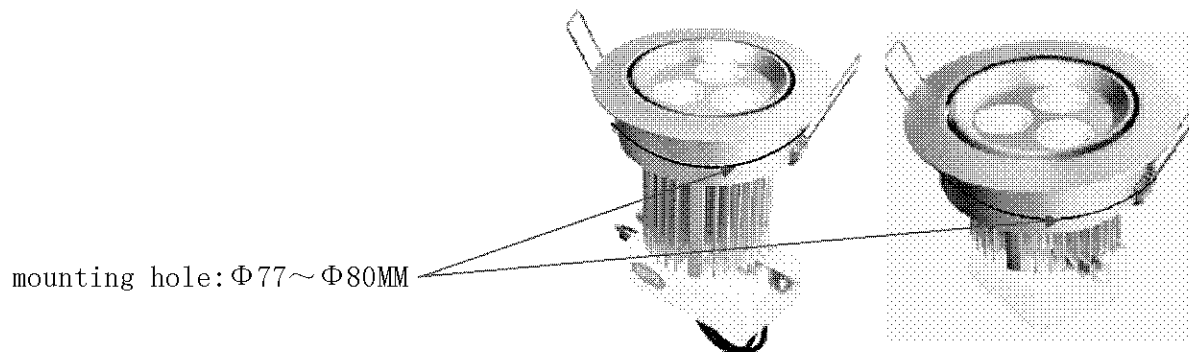
#### Material Parameter

LED Quantity	3pcs 3W (Taiwan Edison Chip)	3pcs 1W (Taiwan Edison Chip)
luminescent color	white	white
Color temperature	5300-6700K(COOL WHITE) 2950-3500K(WARM WHITE)	5300-6700K(COOL WHITE) 2950-3500K(WARM WHITE)
Lumen	280-350LM	130-180LM
LED Angle	45°	45°
Shell Material	Aluminium	Aluminium
IP Degree	IP54	IP54

#### Product Parameter

Work Voltage	AC220V( Outside Driver)	AC220V( Outside Driver)
Wattage	9W	3W
Dimension	90*105mm	90*75mm
Gross Weight	0.45KG/pc	0.35KG/pc
Package Size(inner box)	96*96*139mm	96*96*109mm

### 3. Connecting diagram



### 4. INSTRUCTION:

1. Input Voltage: AC100-240V; Frequency: 50-60HZ
2. Work environment:  $-25^{\circ}\text{C}$  to  $65^{\circ}\text{C}$
3. Application: Replacement bulbs for common lighting, esp. for museum, art galleries, accent lighting and decoration lighting in the shop where UV or IR radiation is undesirable, and work/task lighting, boat lighting, accent lighting

### 5. Guarantee Item

The quality guarantee is based on the condition of correct preservation, installment, uses and maintenance under the normal running condition. The guarantee range excludes the products damage caused by improper Operation & Maintenance and actions which violates the Operating Regulation. In the warranty period, if any quality problems caused, we will repair, replace the products or exchange the spare parts etc. to solve the problems.  
Warranty period: one-year guarantee

### 6. Points for Attention

- ※ Avoid impact or heavy press
- ※ Should be handled with care during the transportation and installation
- ※ It will cause high temperature  $58 \sim 70^{\circ}\text{C}$  during it was working. Please keep away from the tinder and body or cause the fire and hurt.
- ※ Before power on, please make sure if the wire connection is correct.