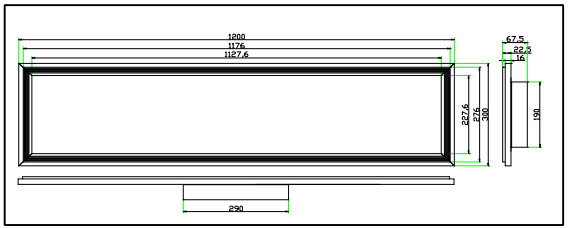
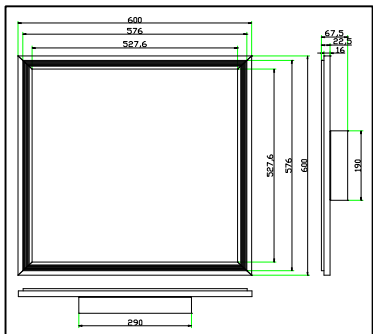
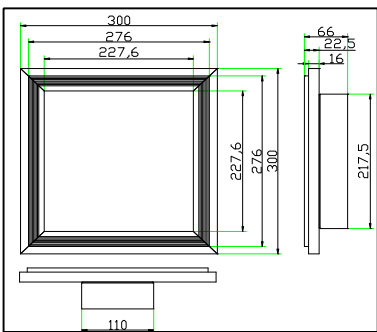
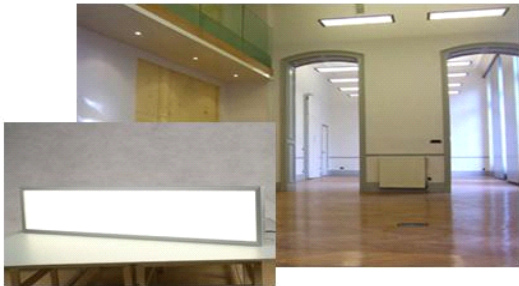
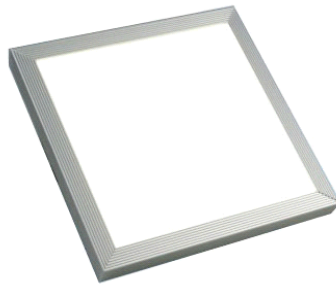
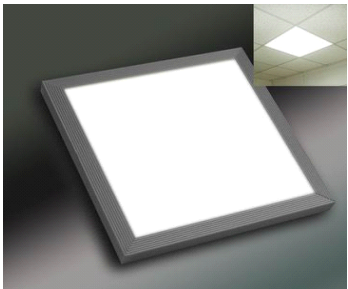




Future (China) Industrial Co., Ltd

HIGH POWER LED GUIDE PANEL



- Characteristics:
- ◆ Adopt 6063 anodized aluminium
 - ◆ Light is pass through high-efficiency lightguide. It is very uniform.
 - ◆ High power LED, non-glare, energy saving, environmental protection, long service time, no UV radiation ect.
 - ◆ The lifespan of guide panel is 6.5 times as fluorescent lamp, but it can save 50% energy than the fluorescent lamp.
 - ◆ Working environment and storage temperature : -25°C to +70°C
 - ◆ Voltage: 90V~240V AC/50Hz-60Hz
 - ◆ Application: Office, living room, hall lighting

model	LED quantity	beam angle	power rating	Input Voltage	Flux	color	dimension (mm)	package	G.W./carton
FL-LGP300*300	24pcs	120°	24W	AC90-240V	1050	white/warm white	300*300*66	1ps/ carton	5kg
FL-LGP600*600	56pcs	120°	56W	AC90-240V	1950	white/warm white	600*600*67.5	1pc/ carton	11kg
FL-LGP300*1200	56pcs	120°	56W	AC90-240V	1900	white/warm white	300*1200*67.5	1pc/ carton	11kg

