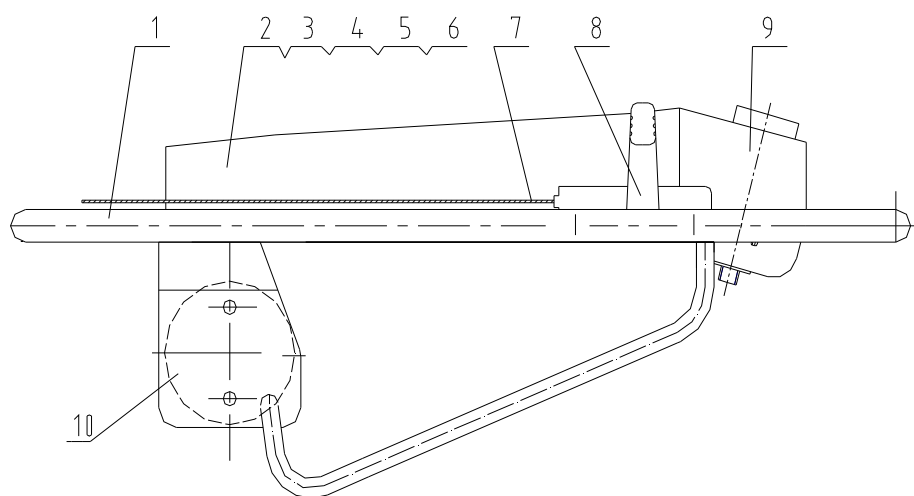


**Selection Two: Parts List**

1	Handle complete.....	2
1	Fuel tank complete.....	3
2	Driving complete.....	4
3	Ramming complete.....	6
4	Plate bottom complete.....	8
6	Clutch.....	9

1. **Handle complete**

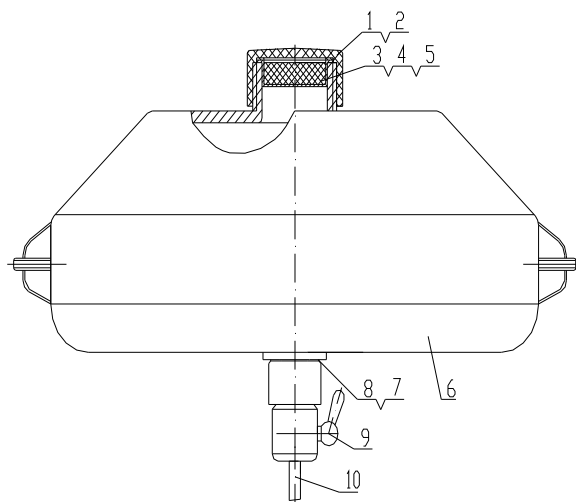
---



Ref	Part NO.	Description	Qty	others
1	831001	Handle-rear grip	1	
2	832002	Head cover board	1	
3	38101	Inside hexagonal screws M6×20	12	
4	38301	Spring washer R6	12	
5	38401	Plate washer B6	12	
6	38201	Nut cap M6	12	
7	832003	Handrail rope	1	
8	32004	Control throttle	1	
9	32005	Fuel tank complete	1	
10	32006	Absorber	2	

## 2. Fuel tank complete

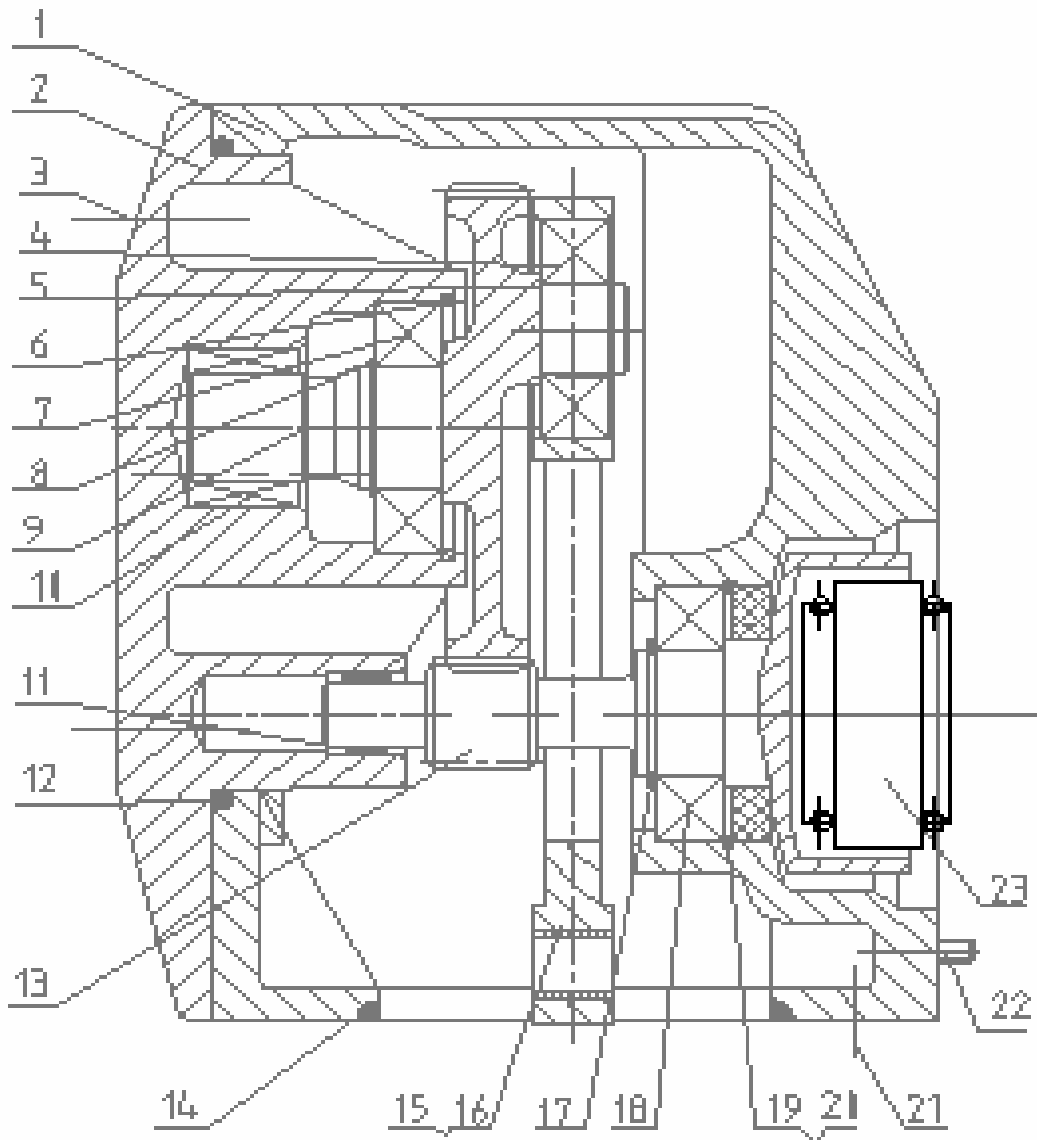
---



Ref	Part NO	Description	Qty	others
1	3200501	Fuel tank cover	1	
2	3200502	Fuel tank inside cover	1	
3	3200503	Inside cover washer lock	1	
4	3200504	Sponge	1	
5	3200505	Strainer	1	
6	3200506	Fuel tank	1	
7	3100507	Set joint	1	
8	3100508	Connecting joint	1	
9	3200509	Oil switch	1	
10	3200510	Vitta		

3. driving complete

---

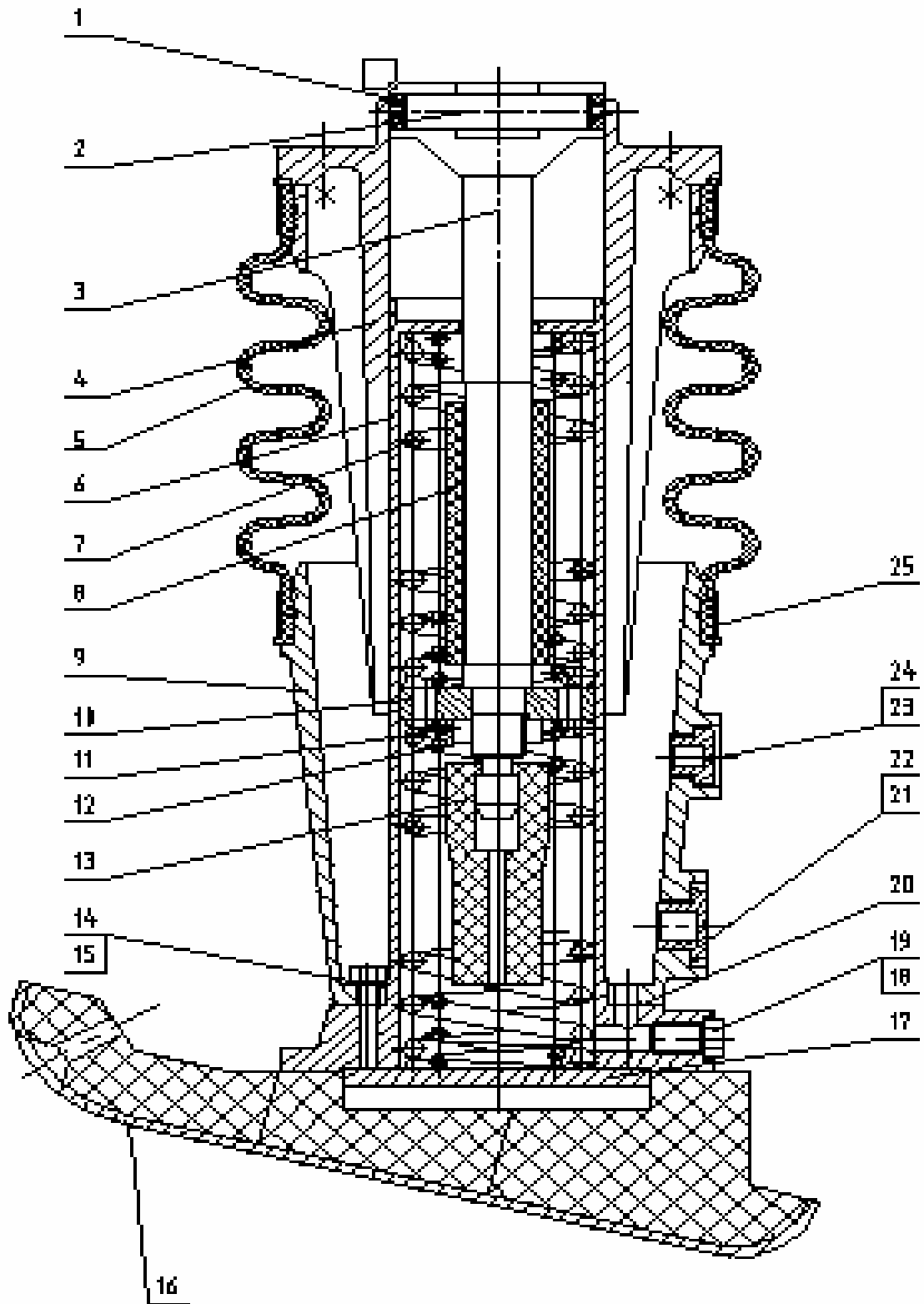


### 3. driving complete

---

Ref	Part NO	Description	Qty	Others
1	811001	Gear tank	1	
2	11002	End cover	1	
3	18101	Screw M10×30	4	
4	13001	Bearing	1	
5	15001	Retaining ring D25	1	
6	15002	Retaining ring D72	1	
7	13002	Bearing	1	
8	15003	Retaining ring D35	1	
9	11003	Eccentric gear	1	
10	13003	Bearing	1	
11	13004	Bearing	1	
12	12001	Washer lock	1	
13	811004	Gear axis	1	
14	12002	Washer lock	1	
15	11005	Connecting rod	1	
16	11006	Bushing	1	
17	15004	Retaining ring D35	1	
18	13005	Bearing	1	
19	15002	Retaining ring D72	1	
20	14001	Oil seal	1	
21	18102	Screw M10×35	4	
22	18103	Double end screw M10×40	4	
23	811007	Clutch complete	1	

4. Ramming complete

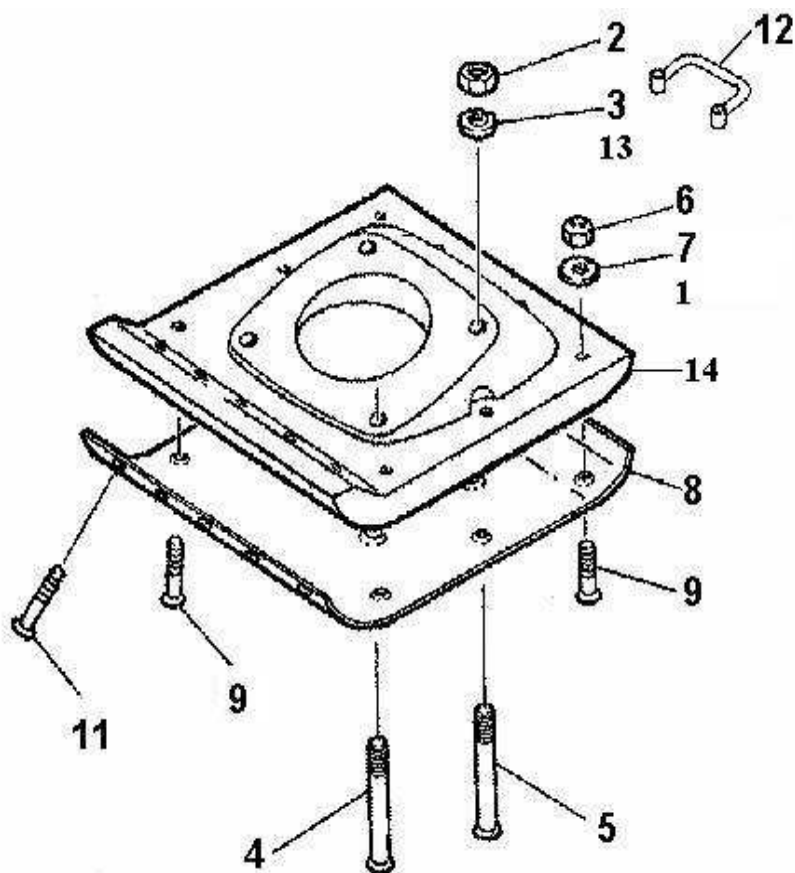


#### 4. Ramming complete

---

Ref	Part No.	Description	Qty	Others
1	21001	Limit plug	2	
2	21002	Pin-piston	1	
3	21003	Piston rod	1	
4	21004	Upper cylinder body	1	
5	22001	Bellows	1	
6	21005	Nether cylinder body complete		
7	22002	Outside spring	2	
8	21006	Upper absorber bushing	1	
9	21008	Nether cylinder bushing	1	
10	21009	Piston	1	
11	21010	Locknut	1	
12	22003	Inside spring	2	
13	21007	Nether absorber bushing	1	
14	28101	Inside hexagonal screw M8×20	14	
15	28401	Washer B8	14	
16	22004	Plate bottom complete	1	
17	21011	Bottom cover board	1	
18	28601	Casing cap	1	
19	22005	Seal washer	1	
20	21012	Seal paper gasket	1	
21	22006	Sight glass	1	
22	22007	Seal gasket	1	
23	21013	Plug	1	
24	22008	Washer lock	1	
25	22009	Pipe hoop	2	

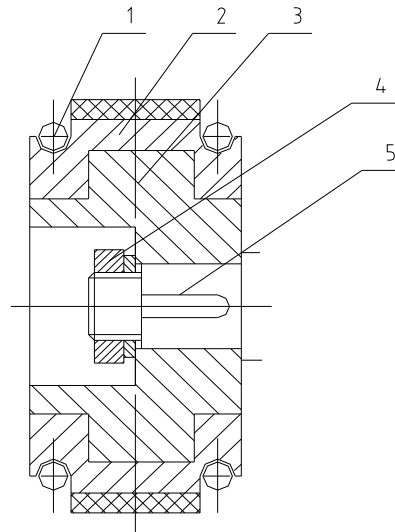
## 5. Plate bottom complete



Ref	Part No.	Description	Qty
1	2200407	Spring washer B8	9
2	2200408	Auto-locknut M12	4
3	2200409	Plagiostome pillow	4
4	2200403	Bottom plate screw M12 x 80	2
5	2200404	Bottom plate screw M x 12 x 105	2
6	2200410	Auto-locknut M8	9
7	2200411	Thick plate washer 8	9
8	2200401	Iron bottom plate	1
9	2200405	Bottom plate screw M8 x 45	6
10	2200406	Bottom plate screw M8 x 50	3
11	2200413	Lift handle	1
12	2200412	Spring washer R12	4
13	2200402	Buffer board	1
14	22004	Bottom plate complete (including 1-14)	1

## 6.Clutch

---



Ref	Part No.	Description	Qty
1	81100703	Spring	
2	81100701	Clutch block	
3	81100702	Clutch seat	
4	81100704	Nut M12 × 1.25	
5	81100705	Semicircle key	
6	811007	Clutch complete (including 1-3)	