



THE NETHERLANDS
(N E D E R L A N D)



COMMUNICATION

Concerning ⁽¹⁾:

- approval granted
 - ~~approval extended~~
 - ~~approval refused~~
 - ~~approval withdrawn~~
 - ~~production definitely discontinued~~
- of a type of pneumatic tyre for motor vehicles pursuant to Regulation number 54.

Approval number: E4-54R-0017534

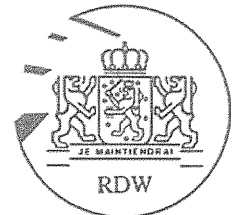
Extension number: 00

Approval mark:

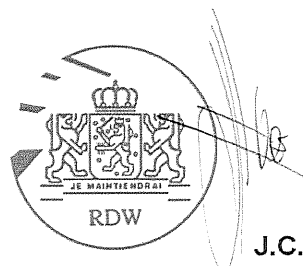


0017534

- | | | | |
|--------|---|---|--|
| 1. | Manufacturer's name or trade mark(s) on the tyre type | : | AUSTONE; CHENGSHAN; FORTUNE; KINETIC; PACE |
| 2. | Tyre type designation by the manufacturer | : | XTR556; CST56; AT56; PM56 |
| 3. | Manufacturer's name and address | : | Cooper Chengshan (Shandong) Tire Co., Ltd
No.98, Nanshan North Road,
264300 Rongcheng, Shandong Province,
P.R.China |
| 4. | If applicable name and address of manufacturer's representative | : | not applicable |
| 5. | Summarized description | | |
| 5.1. | Tyre size designation | : | 12R22.5 |
| 5.2. | Category of use | : | normal/special/snow |
| 5.3. | Structure | : | diagonal(bias-ply) /radial |
| 5.4. | Speed category symbol | | |
| 5.4.1. | nominal | : | M |
| 5.4.2. | additional (if applicable) | : | --- |
| 5.5. | Load-Capacity Index | | |
| 5.5.1. | Corresponding to nominal speed | : | single 152 twinned (dual) 148 |
| 5.5.2. | Corresponding to additional speed | : | single --- twinned (dual) --- |



6. Technical Service and, where applicable, test laboratory approved for purposes of approval or of verification of conformity : TÜV Kraftfahrt GmbH
TÜV Rheinland Group
Technologiezentrum Verkehrssicherheit
Typprüfstelle Fahrzeuge/Fahrzeugteile
Am Grauen Stein
D-51105 Köln (Poll)
7. Date of report issued by that service : September 18, 2006
8. Number of report issued by that service : 87-R54-1433/06
9. Reason(s) for extension (if applicable) : not applicable
10. Any remarks : ---
11. Place : Zoetermeer
12. Date : 24-Oct-2006
13. Signature :

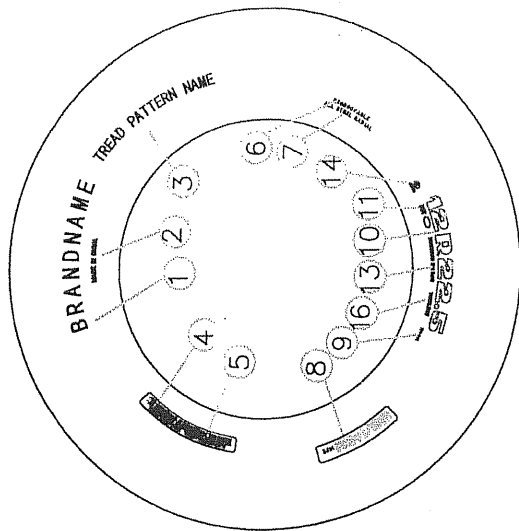
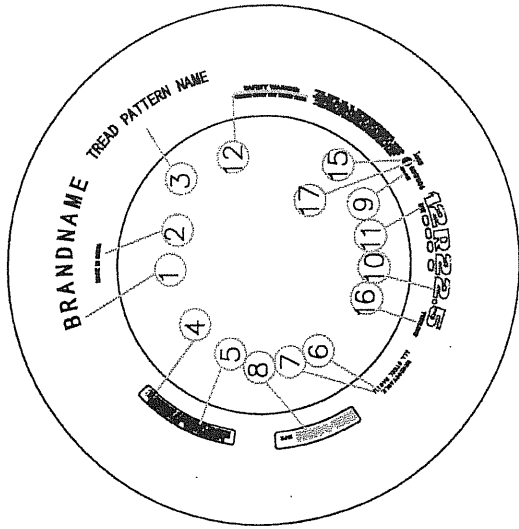
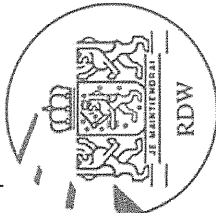
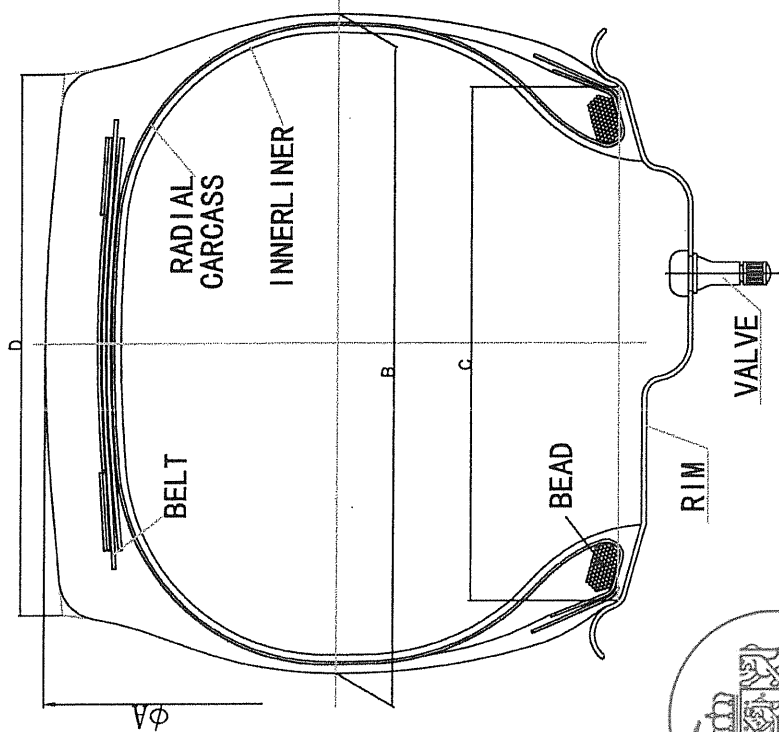


The image shows a circular stamp with a coat of arms in the center, topped with a crown. Below the coat of arms is the motto 'JE MAINTIENS DRAI'. Underneath the circle, the letters 'RDW' are printed. To the right of the stamp is a handwritten signature in black ink.

J.C.M. Hoes

14. Annexed to this communication is a list of documents in the approval file deposited at the administrative service having delivered the approval and which can be obtained upon request.
- Application form, relating to ECE approval for a pneumatic tyre pursuant to Regulation number 54.
 - The drawing of the tyre's side walls, tread and dimensioned cross-section.
 - The test report as mentioned in item 8

⁽¹⁾ Strike out what does not apply



LOWER MOLD

UPPER MOLD

1	LOWER MOLD	UPPER MOLD
2	REFER TO ATTACHMENT NO.0609-11	REFER TO ATTACHMENT NO.0609-11
3	MADE IN CHINA	MADE IN CHINA
4	REFER TO ATTACHMENT NO.0609-11	REFER TO ATTACHMENT NO.0609-11
5	PLIES: SIDEWALL: 1 STEEL TREAD: 1 STEEL+3 STEEL	PLIES: SIDEWALL: 1 STEEL TREAD: 1 STEEL+3 STEEL
6	MAX.LOAD SINGLE 3550kg(7820LBS)AT 850kPa(125PSI)COLD	MAX.LOAD SINGLE 3550kg(7820LBS)AT 850kPa(125PSI)COLD
7	MAX.LOAD DUAL 3150kg(6940LBS) AT 850kPa(125PSI)COLD	MAX.LOAD DUAL 3150kg(6940LBS) AT 850kPa(125PSI)COLD
8	REGROOVABLE	REGROOVABLE
9	ALL STEEL RADIAL	ALL STEEL RADIAL
10	152/148M	152/148M
11	***** (Mold No.)	***** (Mold No.)
12	12R22.5	12R22.5
13	DOT APPROVAL MARK & APPROVAL No.& *****(****-**-**-Date Code)	DOT APPROVAL MARK & APPROVAL No.& *****(****-**-**-Date Code)
14	SERIOUS INJURY MAY RESULT FROM:	SERIOUS INJURY MAY RESULT FROM:
15	* TYRE FAILURE DUE TO UNDERINFLATION/OVERLOADING	* TYRE FAILURE DUE TO UNDERINFLATION/OVERLOADING
16	--FOLLOE OWNER'S MANUAL OR TYRE PLACARD IN VEHICLE.	--FOLLOE OWNER'S MANUAL OR TYRE PLACARD IN VEHICLE.
17	*EXPLOSION OF TYRE/RIM ASSEMBLY DUE TO IMPROPER MOUNTING	*EXPLOSION OF TYRE/RIM ASSEMBLY DUE TO IMPROPER MOUNTING
	--USE SAFETY CAGE AND CLIP ON EXTENSION OF AIR HOSE	--USE SAFETY CAGE AND CLIP ON EXTENSION OF AIR HOSE
	--ONLY SPECIALLY TRAINED PERSONS SHOULD MOUNT TYRES.	--ONLY SPECIALLY TRAINED PERSONS SHOULD MOUNT TYRES.
	STANDARD RIM 9.00	STANDARD RIM 9.00
	TUBELESS	TUBELESS

12R22.5	152/148	M	TL	1084	300	228.6	236
TIRE SIZE	LOAD INDEX	SPEED SYMBOL	TYPE	A (mm)	B (mm)	C (mm)	D (mm)

DRAWN BY *[Signature]* CHECKED BY *[Signature]* APPROVED BY *[Signature]* COOPER CHENGSHAN (SHANDONG) TIRE CO., LTD

REFER TO ATTACHMENT NO.0609-11

TREAD PATTERNS

ATTACHMENT NO. 0609-11

TIRE SIZE 12R22.5 152/148M

E4-0017534

BRANDNAME

TREAD PATTERN NAME

TREAD PATTERNS

AUSTONE

AT56

CHENGSHAN

CST56

FORTUNE

CST56

KINETIC

XTR556

PACE

PM56

AT56
CST56
PM56
XTR556

