



THE NETHERLANDS
(N E D E R L A N D)



COMMUNICATION

Concerning ⁽¹⁾:

- approval granted
- ~~approval extended~~
- ~~approval refused~~
- ~~approval withdrawn~~
- ~~production definitely discontinued~~

of a type of pneumatic tyre for motor vehicles pursuant to Regulation number 54.

Approval number: E4-54R-0017537

Extension number: 00

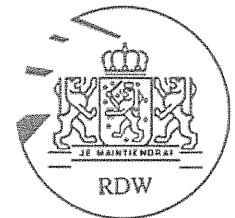
Approval mark:



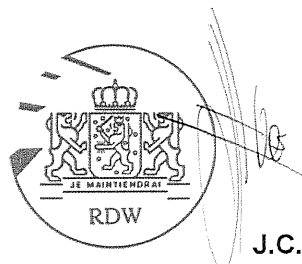
0017537

1. Manufacturer's name or trade mark(s) on the tyre type : AUSTONE; CHENGSHAN; FORTUNE
2. Tyre type designation by the manufacturer : AT68 ;CST68
3. Manufacturer's name and address : Cooper Chengshan (Shandong) Tire Co., Ltd
No.98, Nanshan North Road,
264300 Rongcheng, Shandong Province,
P.R.China
4. If applicable name and address of manufacturer's representative : not applicable
5. Summarized description
 - 5.1. Tyre size designation : 275/70R22.5
 - 5.2. Category of use : normal/special/snow
 - 5.3. Structure : diagonal(bias-ply)/radial
 - 5.4. Speed category symbol
 - 5.4.1. nominal : M
 - 5.4.2. additional (if applicable) : ---
 - 5.5. Load-Capacity Index

5.5.1. Corresponding to nominal speed	: single 148	twinned (dual)	145
5.5.2. Corresponding to additional speed	: single ---	twinned (dual)	---



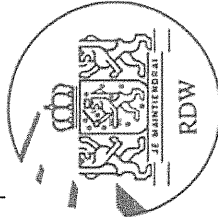
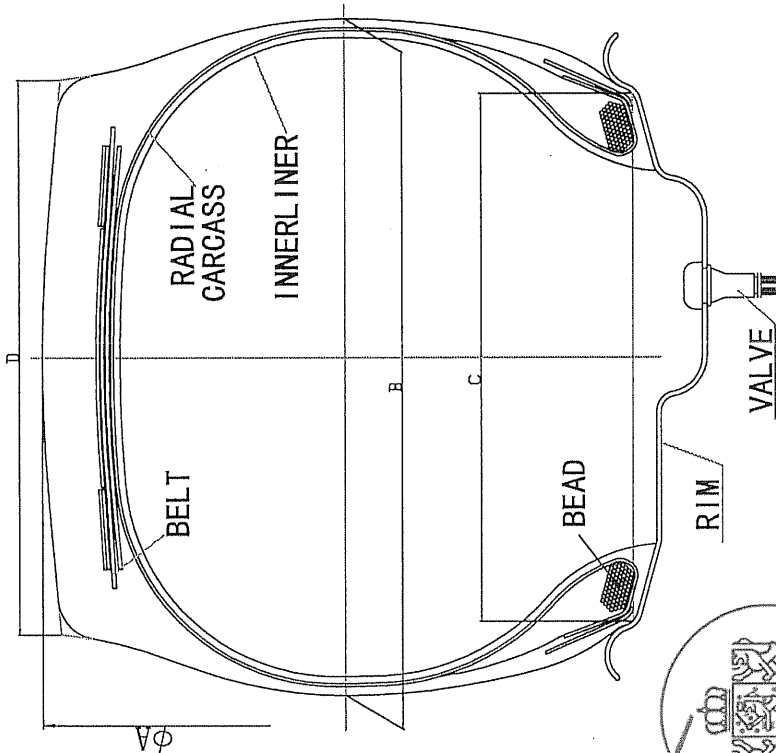
6. Technical Service and, where applicable, test laboratory approved for purposes of approval or of verification of conformity : TÜV Kraftfahrt GmbH
TÜV Rheinland Group
Technologiezentrum Verkehrssicherheit
Typprüfstelle Fahrzeuge/Fahrzeugteile
Am Grauen Stein
D-51105 Köln (Poll)
7. Date of report issued by that service : September 18, 2006
8. Number of report issued by that service : 87-R54-1436/06
9. Reason(s) for extension (if applicable) : not applicable
10. Any remarks : ---
11. Place : Zoetermeer
12. Date : 24-Oct-2006
13. Signature :



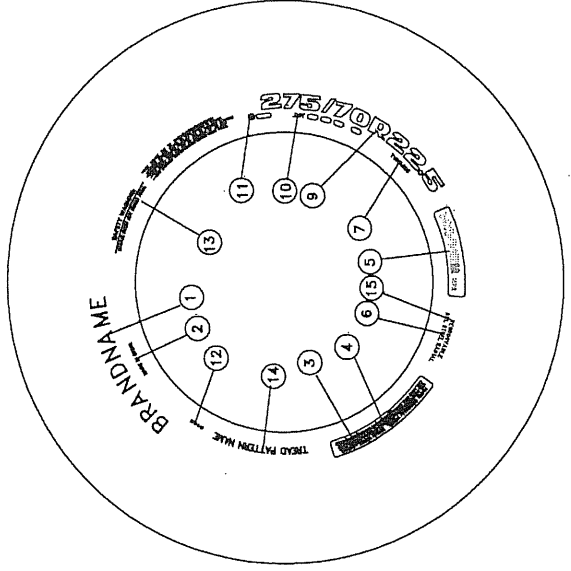
J.C.M. Hoes

14. Annexed to this communication is a list of documents in the approval file deposited at the administrative service having delivered the approval and which can be obtained upon request.
- Application form, relating to ECE approval for a pneumatic tyre pursuant to Regulation number 54.
 - The drawing of the tyre's side walls, tread and dimensioned cross-section.
 - The test report as mentioned in item 8

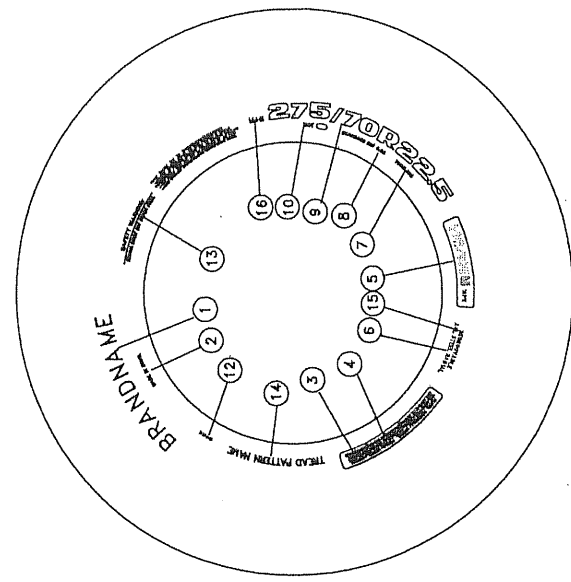
⁽¹⁾ Strike out what does not apply



TREAD PATTERNS
REFER TO ATTACHMENT NO. 0609-14



LOWER MOLD

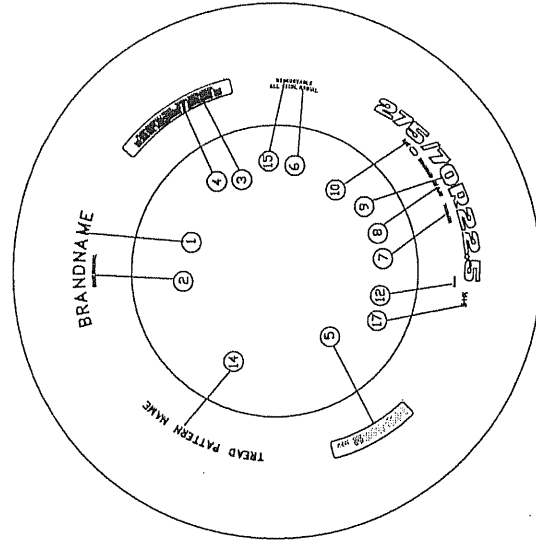
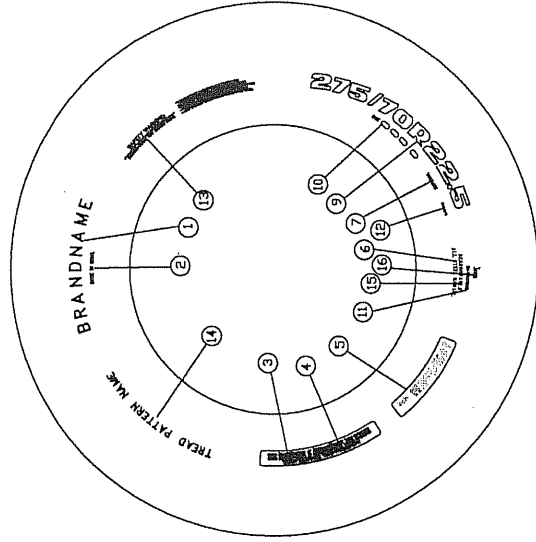
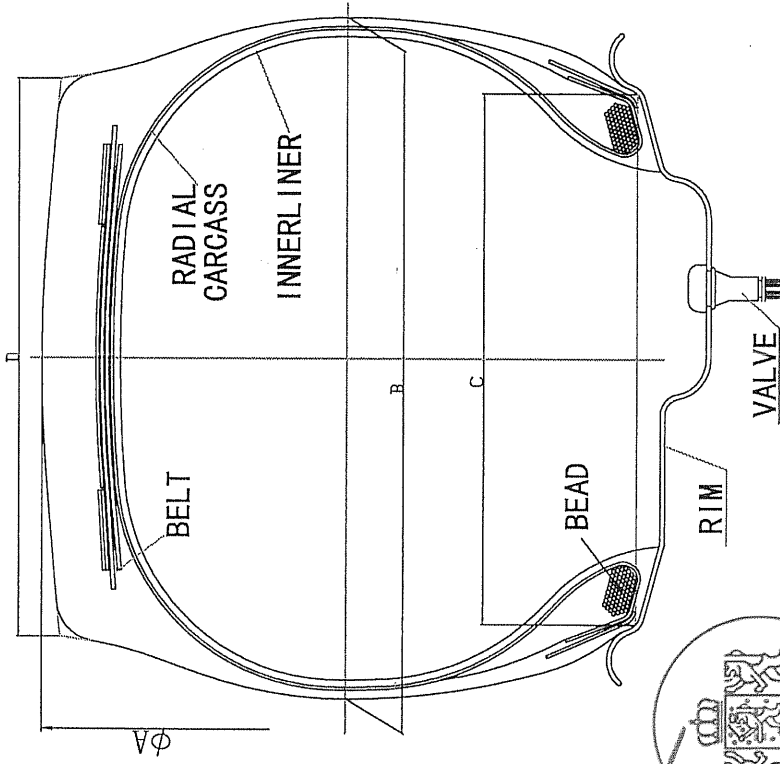


UPPER MOLD

LOWER MOLD		UPPER MOLD	
1	REFER TO ATTACHMENT NO.0609-14	1	REFER TO ATTACHMENT NO.0609-14
2	MADE IN CHINA	2	MADE IN CHINA
3	PLIES: SIDEWALL: 1 STEEL TREAD: 1 STEEL+3 STEEL	3	PLIES: SIDEWALL: 1 STEEL TREAD: 1 STEEL+3 STEEL
4	MAX.LOAD SINGLE 3150kg(6940LBS) AT 900kPa(130PSI)COLD	4	MAX.LOAD SINGLE 3150kg(6940LBS) AT 900kPa(130PSI)COLD
5	MAX.LOAD DUAL 2900kg (6390LBS)AT 900kPa(130PSI)COLD	5	MAX.LOAD DUAL 2900kg (6390LBS)AT 900kPa(130PSI)COLD
6	148/145M	6	148/145M
7	ALL STEEL RADIAL	7	ALL STEEL RADIAL
8	TUBELESS	8	TUBELESS
9	STANDARD RIM 8.25	9	STANDARD RIM 8.25
10	275/70R22.5	10	275/70R22.5
11	DOT APPROVAL MARK & APPROVAL No.& ****(****---Date Code)	11	DOT APPROVAL MARK & APPROVAL No.
12	***** (Mold No.)	12	***** (Mold No.)
13	<p>* SAFETY WARNING: SERIOUS INJURY MAY RESULT FROM: --TYRE FAILURE DUE TO UNDERINFLATION/OVERLOADING --FOLLOW OWNER'S MANUAL OR TYRE PLACARD IN VEHICLE. *EXPLOSION OF TYRE/RIM ASSEMBLY DUE TO IMPROPER MOUNTING --USE SAFETY CAGE AND CLIP ON EXTENSION OF AIR HOSE --ONLY SPECIALLY TRAINED PERSONS SHOULD MOUNT TYRES.</p>	13	<p>* SAFETY WARNING: SERIOUS INJURY MAY RESULT FROM: --TYRE FAILURE DUE TO UNDERINFLATION/OVERLOADING --FOLLOW OWNER'S MANUAL OR TYRE PLACARD IN VEHICLE. *EXPLOSION OF TYRE/RIM ASSEMBLY DUE TO IMPROPER MOUNTING --USE SAFETY CAGE AND CLIP ON EXTENSION OF AIR HOSE --ONLY SPECIALLY TRAINED PERSONS SHOULD MOUNT TYRES.</p>
14	REFER TO ATTACHMENT NO.0609-14(BRAND NAME:CHENGSHAN,AUSTONE,FORTUNE)	14	REFER TO ATTACHMENT NO.0609-14(BRAND NAME:CHENGSHAN,AUSTONE,FORTUNE)
15	REGROOVABLE	15	REGROOVABLE
16	M+S	16	M+S

275/70R22.5	148/145	M	TL	958	276	209.6	210
TYRE SIZE	LOAD INDEX	SPEED SYMBOL	TYPE	A (mm)	B (mm)	C (mm)	D (mm)

DRAWN BY 崔建义 CHECKED BY 2014/10/10 APPROVED BY [Signature] COOPER CHENGSHAN (SHANDONG) TIRE CO., LTD



LOWER MOLD

UPPER MOLD

1	REFER TO ATTACHMENT NO.0609-14	LOWER MOLD	REFER TO ATTACHMENT NO.0609-14	UPPER MOLD
2	MADE IN CHINA	MADE IN CHINA	MADE IN CHINA	MADE IN CHINA
3	PLIES: SIDEWALL: 1 STEEL TREAD: 1 STEEL+3 STEEL	PLIES: SIDEWALL: 1 STEEL TREAD: 1 STEEL+3 STEEL	PLIES: SIDEWALL: 1 STEEL TREAD: 1 STEEL+3 STEEL	PLIES: SIDEWALL: 1 STEEL TREAD: 1 STEEL+3 STEEL
4	MAX.LOAD SINGLE3150kg(6940LBS) AT 900kPa(130PSI)COLD	MAX.LOAD SINGLE3150kg(6940LBS) AT 900kPa(130PSI)COLD	MAX.LOAD SINGLE3150kg(6940LBS) AT 900kPa(130PSI)COLD	MAX.LOAD SINGLE3150kg(6940LBS) AT 900kPa(130PSI)COLD
5	MAX.LOAD DUAL 2900kg (6390LBS)AT 900kPa(130PSI)COLD	MAX.LOAD DUAL 2900kg (6390LBS)AT 900kPa(130PSI)COLD	MAX.LOAD DUAL 2900kg (6390LBS)AT 900kPa(130PSI)COLD	MAX.LOAD DUAL 2900kg (6390LBS)AT 900kPa(130PSI)COLD
6	148/145M	148/145M	148/145M	148/145M
7	ALL STEEL RADIAL	ALL STEEL RADIAL	ALL STEEL RADIAL	ALL STEEL RADIAL
8	TUBELESS	TUBELESS	TUBELESS	TUBELESS
9	STANDARD RIM 8.25	STANDARD RIM 8.25	STANDARD RIM 8.25	STANDARD RIM 8.25
10	275/70R22.5	275/70R22.5	275/70R22.5	275/70R22.5
11	DOT APPROVAL MARK & APPROVAL No.& ****(****---Date Code)	DOT APPROVAL MARK & APPROVAL No.& ****(****---Date Code)	DOT APPROVAL MARK & APPROVAL No.	DOT APPROVAL MARK & APPROVAL No.
12	*****--** (Mold No.)	*****--** (Mold No.)	*****--** (Mold No.)	*****--** (Mold No.)
13	SAFETY WARNING: SERIOUS INJURY MAY RESULT FROM: * TYRE FAILURE DUE TO UNDERINFLATION/OVERLOADING --FOLLOW OWNER'S MANUAL OR TYRE PLACARD IN VEHICLE *EXPLOSION OF TYRE/RIM ASSEMBLY DUE TO IMPROPER MOUNTING --USE SAFETY CAGE AND CLIP ON EXTENSION OF AIR HOSE --ONLY SPECIALLY TRAINED PERSONS SHOULD MOUNT TYRES.	SAFETY WARNING: SERIOUS INJURY MAY RESULT FROM: * TYRE FAILURE DUE TO UNDERINFLATION/OVERLOADING --FOLLOW OWNER'S MANUAL OR TYRE PLACARD IN VEHICLE *EXPLOSION OF TYRE/RIM ASSEMBLY DUE TO IMPROPER MOUNTING --USE SAFETY CAGE AND CLIP ON EXTENSION OF AIR HOSE --ONLY SPECIALLY TRAINED PERSONS SHOULD MOUNT TYRES.	SAFETY WARNING: SERIOUS INJURY MAY RESULT FROM: * TYRE FAILURE DUE TO UNDERINFLATION/OVERLOADING --FOLLOW OWNER'S MANUAL OR TYRE PLACARD IN VEHICLE *EXPLOSION OF TYRE/RIM ASSEMBLY DUE TO IMPROPER MOUNTING --USE SAFETY CAGE AND CLIP ON EXTENSION OF AIR HOSE --ONLY SPECIALLY TRAINED PERSONS SHOULD MOUNT TYRES.	SAFETY WARNING: SERIOUS INJURY MAY RESULT FROM: * TYRE FAILURE DUE TO UNDERINFLATION/OVERLOADING --FOLLOW OWNER'S MANUAL OR TYRE PLACARD IN VEHICLE *EXPLOSION OF TYRE/RIM ASSEMBLY DUE TO IMPROPER MOUNTING --USE SAFETY CAGE AND CLIP ON EXTENSION OF AIR HOSE --ONLY SPECIALLY TRAINED PERSONS SHOULD MOUNT TYRES.
14	REFER TO ATTACHMENT NO.0609-14(BRAND NAME:CHNENGSHAN,AUSTONE,FORTUNE,KINETIC,PACE)	REFER TO ATTACHMENT NO.0609-14(BRAND NAME:CHNENGSHAN,AUSTONE,FORTUNE,KINETIC,PACE)	REFER TO ATTACHMENT NO.0609-14(BRAND NAME:CHNENGSHAN,AUSTONE,FORTUNE,KINETIC,PACE)	REFER TO ATTACHMENT NO.0609-14(BRAND NAME:CHNENGSHAN,AUSTONE,FORTUNE,KINETIC,PACE)
15	REGROOVABLE	REGROOVABLE	REGROOVABLE	REGROOVABLE
16	1033	1033	1033	1033
17	M+S	M+S	M+S	M+S

275/70R22.5	148/145	M	TL	958	276	209.6	210
TYRE SIZE	LOAD INDEX	SPEED SYMBOL	TYPE	A (mm)	B (mm)	C (mm)	D (mm)

DRAWN BY 崔建义 CHECKED BY 崔建义 APPROVED BY [Signature] COOPER CHENGSHAN (SHANDONG) TIRE CO., LTD

ATTACHMENT NO. 0609-14

TIRE SIZE 275/70R22.5 148/145M

E 0017537

BRANDNAME

TREAD PATTERN NAME

AUSTONE

AT68

CHENGSHAN

CST68

FORTUNE

CST68

TREAD PATTERNS

