



THE NETHERLANDS  
(N E D E R L A N D)



COMMUNICATION

Concerning <sup>(1)</sup>:

- approval granted
- ~~approval extended~~
- ~~approval refused~~
- ~~approval withdrawn~~
- ~~production definitely discontinued~~

of a type of pneumatic tyre for motor vehicles pursuant to Regulation number 54.

Approval number: E4-54R-0017539

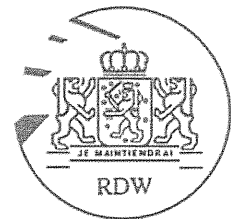
Extension number: 00

Approval mark:

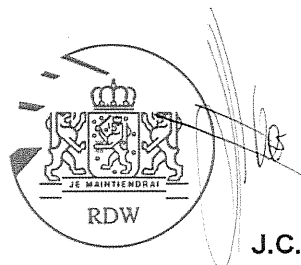


0017539

- |        |   |   |  |
|--------|---|---|--|
| 1.     | Manufacturer's name or trade mark(s) on the tyre type           | : | AUSTONE; CHENGSHAN; FORTUNE; KINETIC   |
| 2.     | Tyre type designation by the manufacturer                       | : | AT46; CST46; XTL846  |
| 3.     | Manufacturer's name and address                                 | : | Cooper Chengshan (Shandong) Tire Co., Ltd<br>No.98, Nanshan North Road,<br>264300 Rongcheng, Shandong Province,<br>P.R.China |
| 4.     | If applicable name and address of manufacturer's representative | : | not applicable   |
| 5.     | Summarized description  |   |  |
| 5.1.   | Tyre size designation   | : | 295/80R22.5  |
| 5.2.   | Category of use   | : | normal/special/snow  |
| 5.3.   | Structure   | : | diagonal(bias ply)/radial  |
| 5.4.   | Speed category symbol   |   |  |
| 5.4.1. | nominal   | : | M  |
| 5.4.2. | additional (if applicable)                                      | : | ---  |
| 5.5.   | Load-Capacity Index   |   |  |
| 5.5.1. | Corresponding to nominal speed                                  | : | single 152                      twinned (dual) 148   |
| 5.5.2. | Corresponding to additional speed                               | : | single ---                      twinned (dual) ---   |



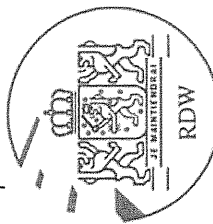
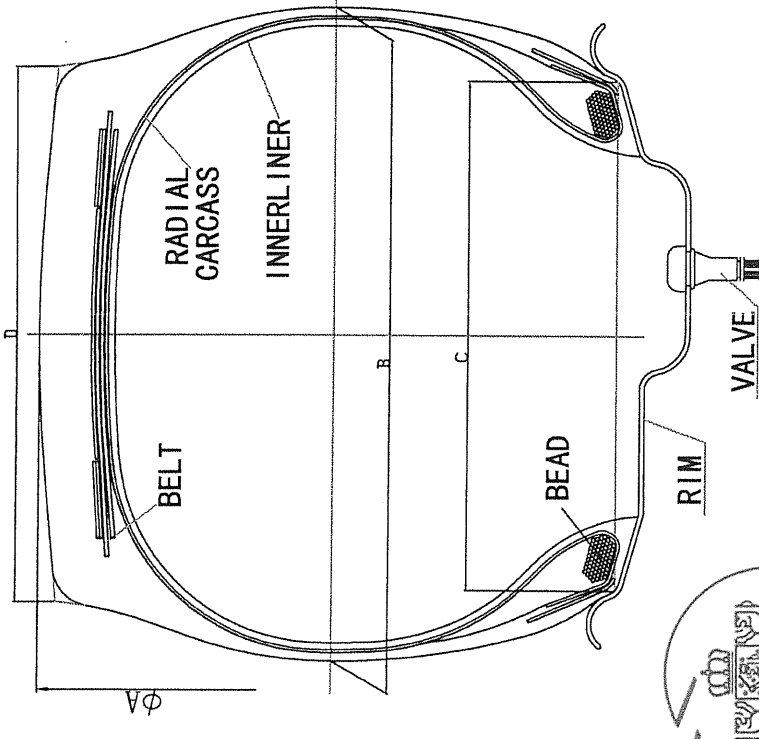
6. Technical Service and, where applicable, test laboratory approved for purposes of approval or of verification of conformity : TÜV Kraftfahrt GmbH  
TÜV Rheinland Group  
Technologiezentrum Verkehrssicherheit  
Typprüfstelle Fahrzeuge/Fahrzeugteile  
Am Grauen Stein  
D-51105 Köln (Poll)
7. Date of report issued by that service : September 18, 2006
8. Number of report issued by that service : 87-R54-1438/06
9. Reason(s) for extension (if applicable) : not applicable
10. Any remarks : ---
11. Place : Zoetermeer
12. Date : 24-Oct-2006
13. Signature :



J.C.M. Hoes

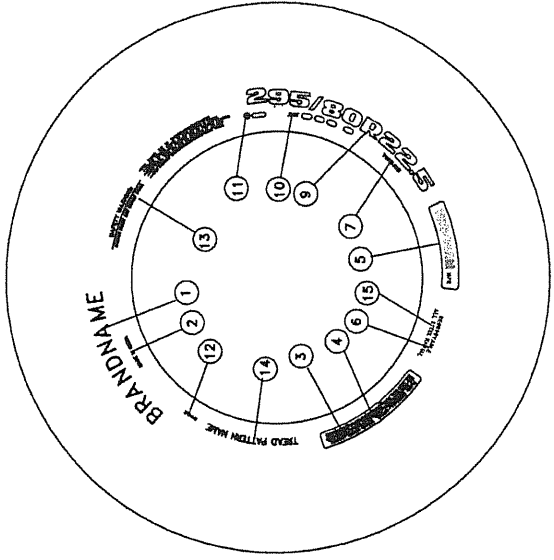
14. Annexed to this communication is a list of documents in the approval file deposited at the administrative service having delivered the approval and which can be obtained upon request.
- Application form, relating to ECE approval for a pneumatic tyre pursuant to Regulation number 54.
  - The drawing of the tyre's side walls, tread and dimensioned cross-section.
  - The test report as mentioned in item 8

<sup>(1)</sup> Strike out what does not apply

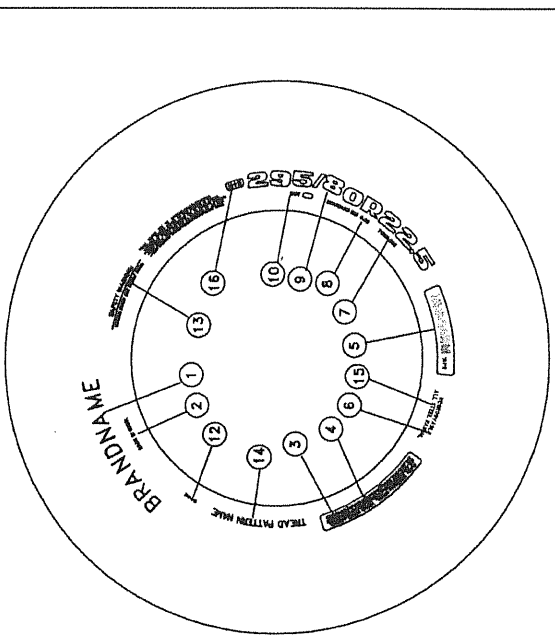


TREAD PATTERNS

REFER TO ATTACHMENT NO. 0609-16  
(BRAND NAME: CHENGSHAN, AUSTONE, FORTUNE)



LOWER MOLD

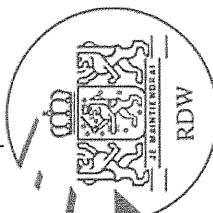
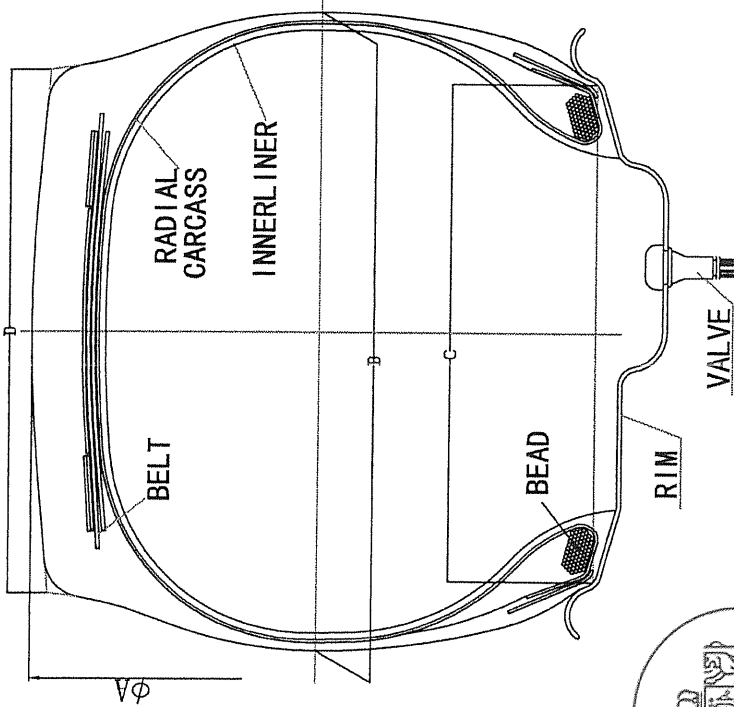


UPPER MOLD

LOWER MOLD		UPPER MOLD	
1	REFER TO ATTACHMENT NO.0609-16(BRAND NAME:CHENGSHAN,AUSTONE,FORTUNE)	1	REFER TO ATTACHMENT NO.0609-16(BRAND NAME:CHENGSHAN,AUSTONE,FORTUNE)
2	MADE IN CHINA	2	MADE IN CHINA
3	PLIES: SIDEWALL: 1 STEEL+3 STEEL	3	PLIES: SIDEWALL: 1 STEEL+3 STEEL
4	MAX.LOAD SINGLE3550kg(7820LBS) AT 850kPa(125PSI)COLD	4	MAX.LOAD SINGLE3550kg(7820LBS) AT 850kPa(125PSI)COLD
5	MAX.LOAD DUAL 3150kg (6940LBS)AT 850kPa(125PSI)COLD	5	MAX.LOAD DUAL 3150kg (6940LBS)AT 850kPa(125PSI)COLD
6	REGROOVABLE	6	REGROOVABLE
7	TUBELESS	7	TUBELESS
8	295/80R22.5	8	STANDARD RIM 9.00
9	295/80R22.5	9	295/80R22.5
10	DOT APPROVAL MARK & APPROVAL No.& ****(****---Date Code)	10	DOT APPROVAL MARK & APPROVAL No.
11	0017539	11	0017539
12	***** (Mold No.)	12	***** (Mold No.)
13	SAFETY WARNING: SERIOUS INJURY MAY RESULT FROM: * TYRE FAILURE DUE TO UNDERINFLATION/OVERLOADING --FOLLOE OWNER'S MANUAL OR TYRE PLACARD IN VEHICLE. *EXPLOSION OF TYRE/RIM ASSEMBLY DUE TO IMPROPER MOUNTING --USE SAFETY CAGE AND CLIP ON EXTENSION OF AIR HOSE --ONLY SPECIALLY TRAINED PERSONS SHOULD MOUNT TYRES.	13	SAFETY WARNING: SERIOUS INJURY MAY RESULT FROM: * TYRE FAILURE DUE TO UNDERINFLATION/OVERLOADING --FOLLOE OWNER'S MANUAL OR TYRE PLACARD IN VEHICLE. *EXPLOSION OF TYRE/RIM ASSEMBLY DUE TO IMPROPER MOUNTING --USE SAFETY CAGE AND CLIP ON EXTENSION OF AIR HOSE --ONLY SPECIALLY TRAINED PERSONS SHOULD MOUNT TYRES.
14	REFER TO ATTACHMENT NO.0609-16(BRAND NAME:CHENGSHAN,AUSTONE,FORTUNE)	14	REFER TO ATTACHMENT NO.0609-16(BRAND NAME:CHENGSHAN,AUSTONE,FORTUNE)
15	ALL STEEL RADIAL	15	ALL STEEL RADIAL
16	MHS	16	MHS

295/80R22.5	152/148	M	TL	1044	298	228.6	224.7
TIRE SIZE	LOAD INDEX	SPEED SYMBOL	TYPE	A (mm)	B (mm)	C (mm)	D (mm)

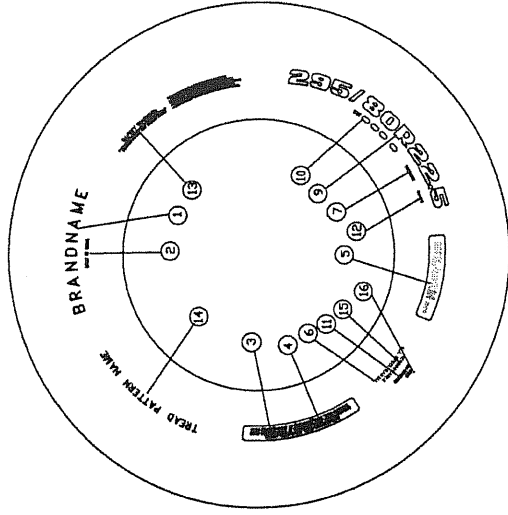
DRAWN BY *崔建文* CHECKED BY *201/2/2015* APPROVED BY *WJF* COOPER CHENGSHAN (SHANDONG) TIRE CO., LTD



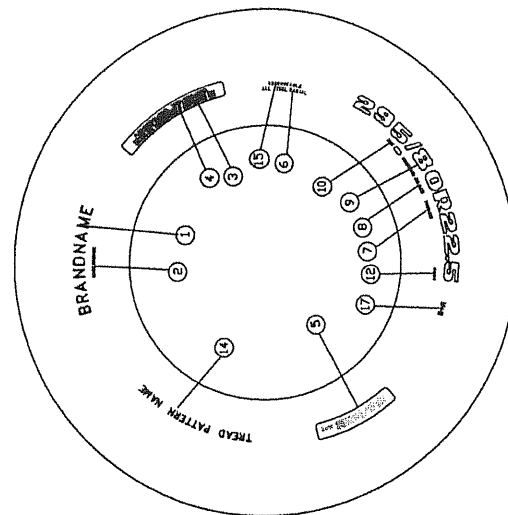
TREAD PATTERNS

REFER TO ATTACHMENT NO. 0609-16

BRAND NAME (CHENGSHAN, AUSTONE, FORTUNE, KINETIC)



LOWER MOLD



UPPER MOLD

LOWER MOLD		UPPER MOLD	
1	REFER TO ATTACHMENT NO.0609-16(BRAND NAME:CHENGSHAN,AUSTONE,FORTUNE,KINETIC)	1	REFER TO ATTACHMENT NO.0609-16(BRAND NAME:CHENGSHAN,AUSTONE,FORTUNE,KINETIC)
2	MADE IN CHINA	2	MADE IN CHINA
3	PLIES: SIDEWALL: 1 STEEL TREAD: 1 STEEL+3 STEEL	3	PLIES: SIDEWALL: 1 STEEL TREAD: 1 STEEL+3 STEEL
4	MAX.LOAD SINGLE:350kg(7820LBS) AT 850KPa(125PSI)COLD	4	MAX.LOAD SINGLE:350kg(7820LBS) AT 850KPa(125PSI)COLD
5	MAX.LOAD DUAL: 3150kg. (6940LBS)AT 850KPa(125PSI)COLD	5	MAX.LOAD DUAL: 3150kg. (6940LBS)AT 850KPa(125PSI)COLD
6	152/148M	6	152/148M
7	ALL STEEL RADIAL	7	ALL STEEL RADIAL
8	TUBELESS	8	TUBELESS
9	295/80R22.5	9	295/80R22.5
10	DOT APPROVAL MARK & APPROVAL No.# ***** (Date Code)	10	DOT APPROVAL MARK & APPROVAL No.# ***** (Date Code)
11	***** (Mold No.)	11	***** (Mold No.)
12	***** (Mold No.)	12	***** (Mold No.)
13	SAFETY WARNING: * TYRE FAILURE DUE TO UNDERINFLATION/OVERLOADING --FOLLOE OWNER'S MANUAL OR TYRE PLACARD IN VEHICLE *EXPLOSION OF TYRE/RIM ASSEMBLY DUE TO IMPROPER MOUNTING --USE SAFETY CAGE AND CLIP ON EXTENSION OF AIR HOSE --ONLY SPECIALLY TRAINED PERSONS SHOULD MOUNT TYRES.	13	SAFETY WARNING: * TYRE FAILURE DUE TO UNDERINFLATION/OVERLOADING --FOLLOE OWNER'S MANUAL OR TYRE PLACARD IN VEHICLE *EXPLOSION OF TYRE/RIM ASSEMBLY DUE TO IMPROPER MOUNTING --USE SAFETY CAGE AND CLIP ON EXTENSION OF AIR HOSE --ONLY SPECIALLY TRAINED PERSONS SHOULD MOUNT TYRES.
14	REFER TO ATTACHMENT NO.0609-16(BRAND NAME:CHENGSHAN,AUSTONE,FORTUNE,KINETIC)	14	REFER TO ATTACHMENT NO.0609-16(BRAND NAME:CHENGSHAN,AUSTONE,FORTUNE,KINETIC)
15	REGROOVABLE	15	REGROOVABLE
16	1033	16	1033
17		17	

M+S	
295/80R22.5	152/148
M	TL
1044	298
228.6	224.7
TIRE SIZE	LOAD INDEX
TYPE	SPEED SYMBOL
A (mm)	B (mm)
C (mm)	D (mm)

DRAWN BY [Signature] CHECKED BY [Signature] APPROVED BY [Signature] COOPER CHENGSHAN (SHANDONG) TIRE CO., LTD

ATTACHMENT NO. 0609-16

TIRE SIZE 295/80R22.5 152/148M

E 0017539

BRANDNAME

TREAD PATTERN NAME

TREAD PATTERNS

AUSTONE

AT46

CHENGSHAN

CST46

FORTUNE

CST46

KINETIC

XTL846

AT46  
CST46 XTL846

