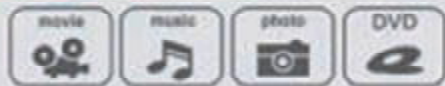
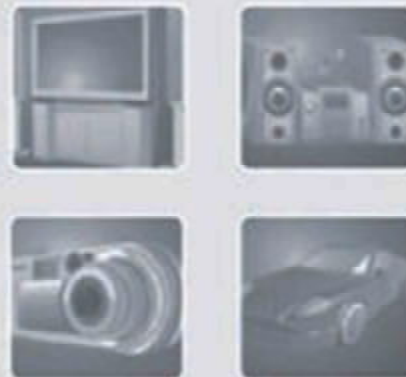


3.5" HDD TV RECORDER PLAYER

Model : EN306TV-R



;

VER: D9.08 Model No : EN306TV-R

Product specification

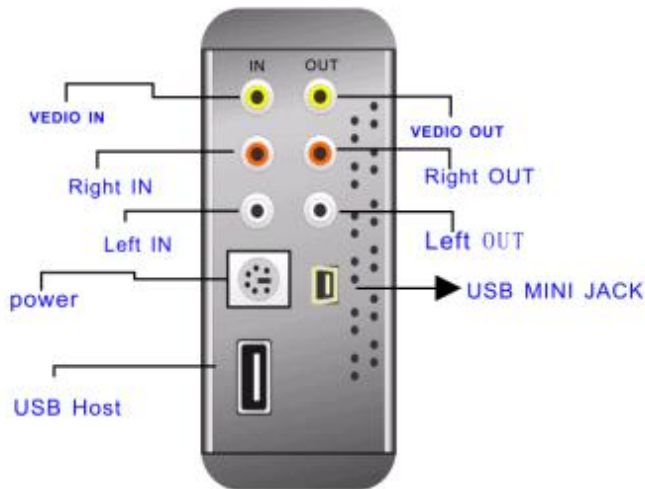
- Supported audio type: MP3/WMA/CD
- Supported movie type: JPEG/BMP/GIF
- Supported video file format: AVI/VOB/DAT/MPG/MPEG
- Supported HDD: IDE, up to 500GB (now)
- Supported file system: FAT32
- Supported language; Multi-language
- Audio output/input: Left Channel/Right Channel (Output/input)
- Video transfer type: Video signal output/input
- Support video record function (REC)
- TV type: NTSC /PAL /Automatically
- External connected: USB HOST/USB MINI JACK
- Supported operation system: Windows ME/98/2000/XP/VISTA
- Operation type: Remote controller and panel key
- 8CM cooling fan and color LED display
- Power supply: 100-240V AC OUT, 5V/2A &12V/2A DC OUT

Front/Back Instructions

Front panel



Back panel

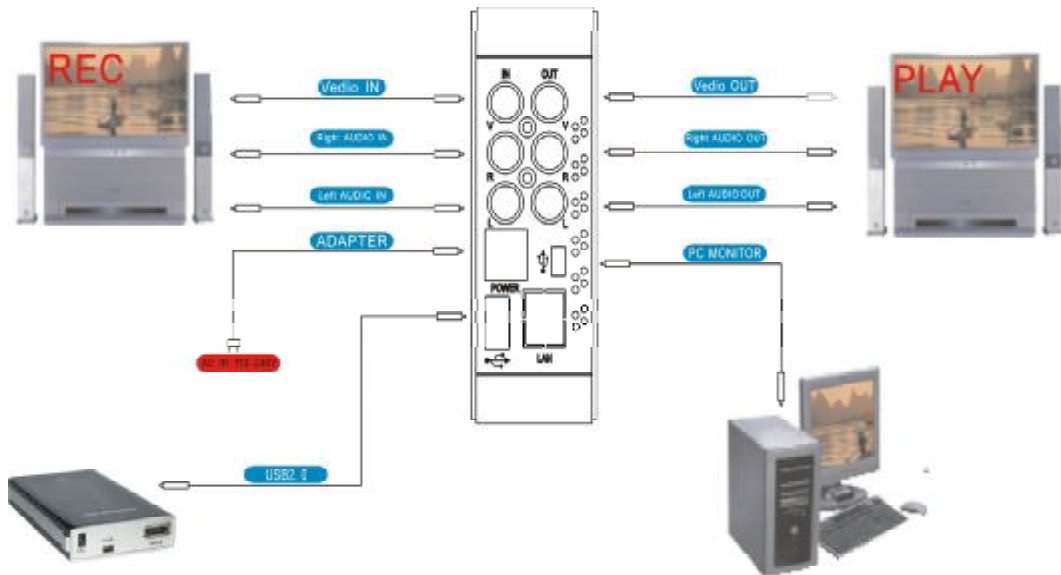
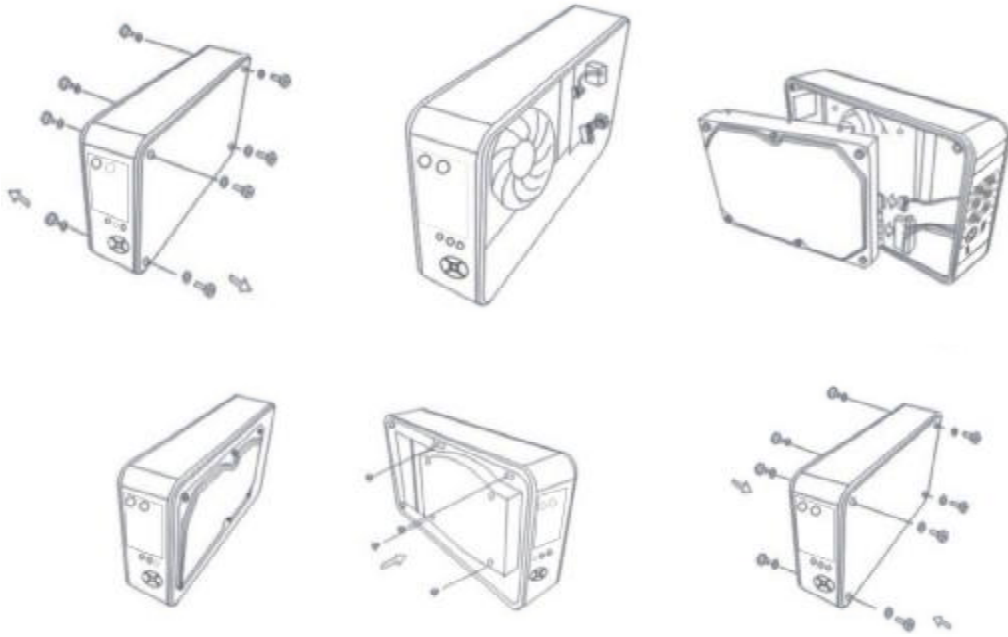




Remote controller

Remote controller functions			
1	STANDBY	14	REC
2	MUTE	15	PLAY/PAUSE
3	TIME REC	16	STOP
4	TIME SHIFT	17	SOURCE
5	DI SPLAY	18	RETURN
6	QUALITY	19	OK
7	VOL-	20	UP
8	VOL+	21	DOWN
9	SETUP	22	RIGHT
10	PREV	23	LEFT
11	NEXT	24	HDD/USB
12	REPEAT	25	EDIT
13	FR		
14	FF		

Product installation



Product accessories



Remote



AV cables*2



Power cables



Power



USB cable



CD driver



Manual

Operation instructions

1. System entering

Picture 1



Notice: System is initializing

If the disk is installed at the first time, System defaulted to format it :

Press LEFT key to select YES, then select “ENTER” key to format the disk. You cannot enter into the system if you select “NO”. (We suggest you don’t select “NO”)

Picture 2



After formatting, system will create three file folders automatically:

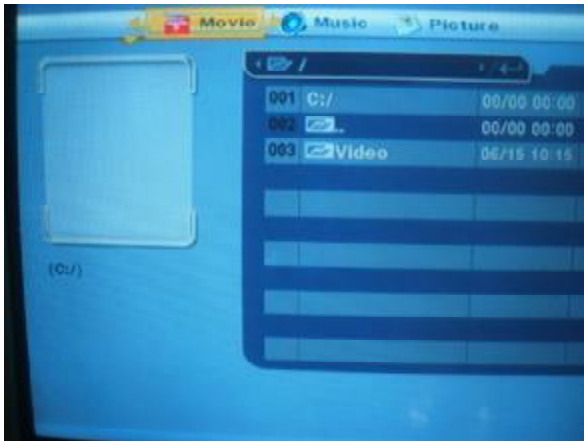
AUTO、DEVX、PICTURE. They are music file folder (AUTO)、Movie file folder(DEVX) and Picture file folder(PICTURE) separately.

Notice: 1. You can only see the above three files in your computer

2. There is no data in the disk after formatting, please copy play files by yourself.

2. Movie Play

Picture3



System switches to MOVIE option automatically.

Press DOWN key to select play file, press ENTER key to play movie.

Picture 4



Notice: 1, During playing, if you want to return to previous directory, please press STOP key firstly, then press UP key.

2, During playing, if you want to repeat play, please press REPEAT key for single or circle repeating.

When one movie play finished, it will enter into next one and play it automatically.

When play finish, it will enter into the home interface.

Press UP key can return to previous directory.

Press RIGHT key can enter into MUSIC option.

3. Music Play

Picture 5



Press DOWN key to select folder, press ENTER key to see all the MP3 files.

Press DOWN key to select MP3 playing file, press ENTER key to play.

Notice: When one song finishes play, it will enter into next one and play it automatically. When all plays finish, it will enter into the home music interface.

During playing, you cannot return to previous directory unless you press STOP key.

Press UP key can return to previous directory.

Press RIGHT key can enter into PICTURE option.

4. Picture Play

Picture6



Press DOWN key to select picture folder, press ENTER key to see all the JPG pictures.

Press DOWN key to select playing picture, press ENTER key to play.

Notice: 1, Picture cannot play if it is damaged, it will be stopped.

2, large capacity picture also may be stopped.

3, Interval time is five seconds, it will play next picture automatically.

5. Record Function:

Picture 7



Picture 8



Notice: Connect VCD/DVD/PLAYER as above picture shows
Switch on DVD, press PLAY key to play DVD disk.
Make sure the player is switching on, then press SOURCE key for switching to DVD interface, you will see the movie which is playing by DVD, press REC key to start to record.

Picture 9



It is recording as Picture 9 shows:

Video is recording, if you want to stop or return to the home interface of 306-DVR, please press STOP key, then press SOURCE key, you can see what program you've recorded. You can record them while you are watching.

After recording finished, system will create AVI video file, you can see it in MOVIE.

Notice: You can not transfer the video to other types, as system defaulted it as AVI.

TIME REC

Press " TIME REC " key on the remote controller, entering into the TIME REC interface, as follow picture:



Notice: Please setup the system time and date well before using TIME REC

After film source, date, starting time, ending time and REC quality setup, press "RETURN" key to start TIME REC.

If you want to delete TIME REC plan, please press "CLEAR" key.

After recording finished, system will mention if you want to return to the waiting mode or not, press "YES" to return, press "NO" to continue film playing. If you choose neither of them, system will return to waiting mode automatically.

TIME SHIFT

If you are watching your favorite program, but you have to leave at this time, you can open TIME SHIFT function, it can memory the video signal, so you will not miss the

wonderful program.

Press “TIME SHIFTF” key:



TIME SHIFT is initializing.

After initializing, system starts to memory the video signal, as follow picture:



Press “PLAY/PAUSE” key to play.

Press “STOP” key to exit TIME SHIFT.

6. System setup:

Press “SETUP” key to enter into setup interface, as follow picture:



In system setup, you can setup TV form, screen saver, system language, time and date, system defaulting and disk formatting.

7. USB HOST

If connected by USB HOST, such as SD card, U disk also can play.

As follow steps:

If SD card. Connect it well with USB HOST, then press SOURCE key to switch, then

you can see two options: HDD, USB. Please select USB firstly, and then you will see the files saved in SD card.

If this USB save unit is used at the first time, there is no notice about formatting; you can enter directly, so it is different from disk entering. Should have files in save unit, then can play.

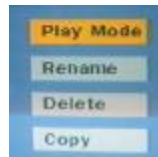
Supported video format: AVI VOB MPG MPEG DAT

It can play all the video files, music files, and picture files supported by system.

The recorded movie will be saved into USB save card, system defaulted them AVI format.

8. Others (File copy/delete/rename/play mode)

How to copy/delete/rename the file? Simple instructions as follow:

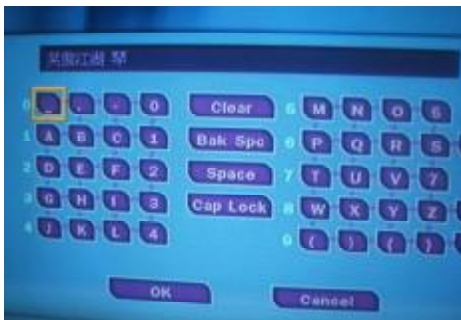


Select the file, press EDIT key (as picture):

Notice: 1, play mode, rename, delete, copy

2, you can only delete or copy files when you select them.

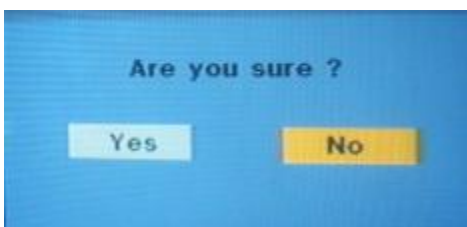
Press DOWN key to select your desire option: If RENAME, press ENTER key to confirm.



Notice: you can edit the file name here

If you want to return, please select LEFT key.

If you want to delete file, picture shows:



Notice: "Are you sure?", choose YES to delete.

You can select any option according to your need.

END