



Products Catalog

Products	Page
1.JJ-CA-GSM01(GSM Car Alarm)	1
2. JJ-CA-GSM02(GSM Car Alarm).....	4
3. JJ-CA-GSM03(Car Remote Starters)	6
4.JJ-CA-01(Car Alarm)	8
5.JJ-CA-02(Car Remote Starters)	10
6.JJ-CA-05(Car Alarm).....	13
7.JJ-CC-01(Central Locking System)	14
8.JJ-CC-02(Central Locking System)	17
9.JJ-CC-03(Central Locking System)	18
10.JJ-MB-01(Motorcycle Alarm System)	20
11.JJ-MB-02(Motorcycle Alarm System).....	22
12.JJ-MB-02-1(Motorcycle Alarm System).....	24
13.JJ-MB-02-2(Motorcycle Alarm System).....	25
14.JJ-MB-03(Motorcycle Alarm System).....	27
15.JJ-MB-04(Motorcycle Alarm System).....	28
16.JJ-MB-05(Motorcycle Alarm System).....	30
17.JJ-MB-06(Motorcycle Alarm System).....	31



Model Number:JJ-CA-GSM01

Product Image



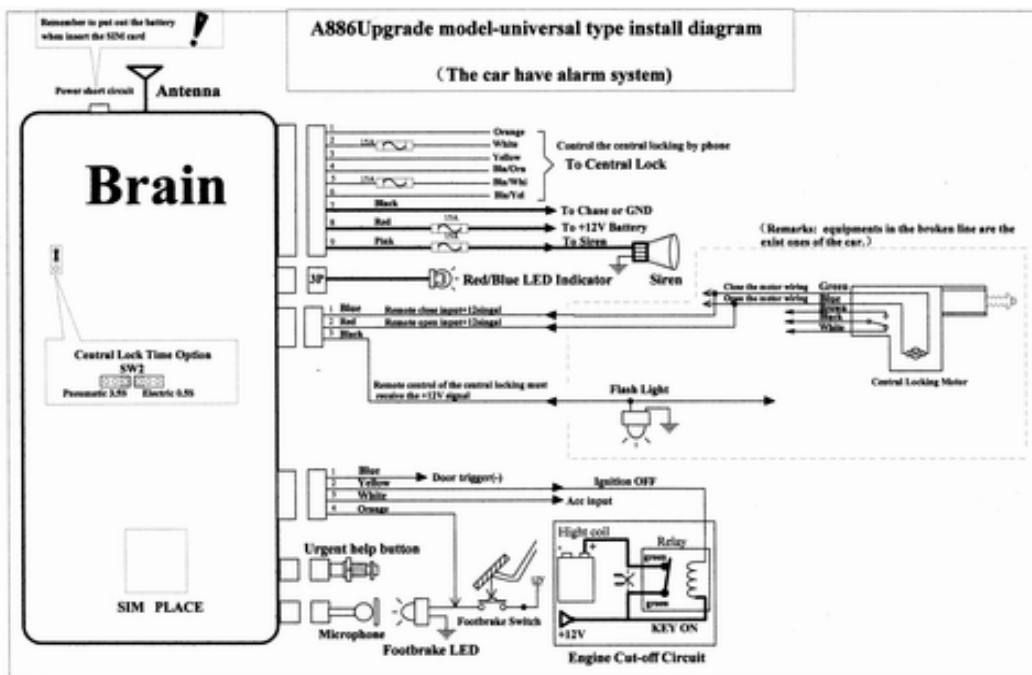
Product Description:

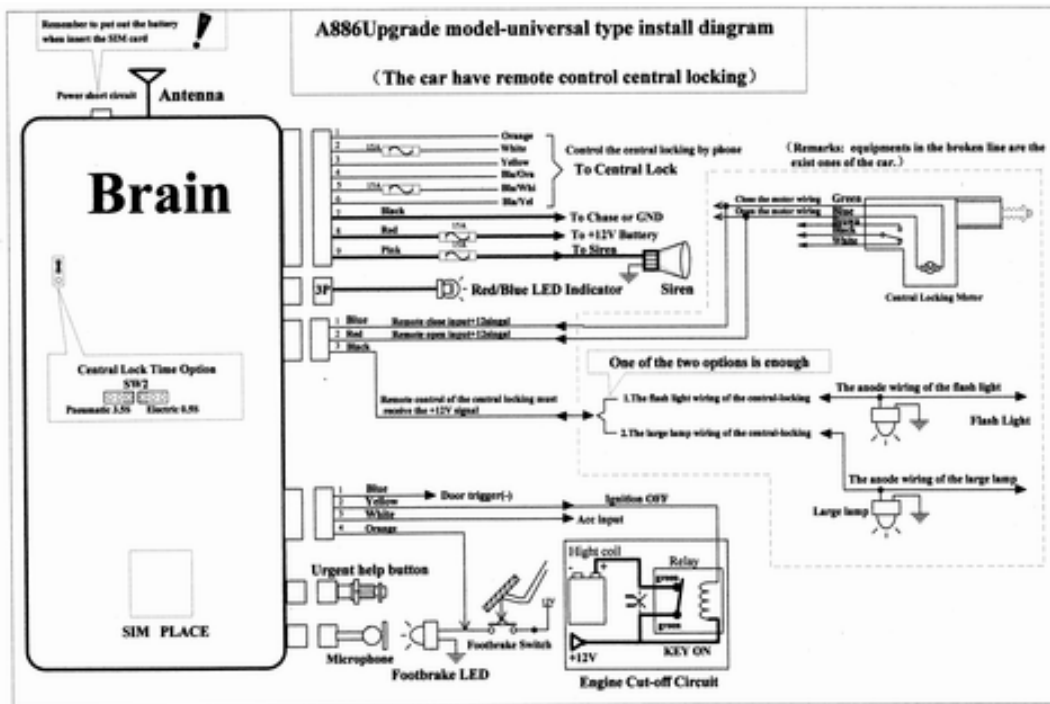
- **Special Feature:**Long-distance control by GSM communicate module, Car alarms will upgrade GSM systems ,avoiding resource waste.
- **work voltage:**DC9-16V
- **Static current:**≤40mA
- **Frequency:**customized
- **Brand Name:**Giant
- **Country of Origin:**China
- **Product Category:**Car alarm
- **Certifications standard:**CE,ISO9001:2000
- **Payment terms:**T/T
- **FOB Port:**Xiamen
- **Key Specification:**



- Original functions (remote arm/disarm /open the tail tank)
- Upgrade functions:
 - ◆ Three channels to control
 - ◆ Remote control (arm/disarm/Open the tail tank)
 - ◆ Phone control (arm/disarm, oil/power cut off, seek the car, monitor)
 - ◆ SMS control: (arm/disarm, oil/power cut off, seek the car)
 - ◆ Three types alarm
 - ◆ Real siren alarm
 - ◆ Call the owner alarm
 - ◆ Send SMS to the owner alarm
- Other special functions
 - ◆ Automatic central locking
 - ◆ Demolish the battery of the car, the system will give alarm by call
 - ◆ Whole course voice prompt
 - ◆ Anti-universal decoder
- Locating (additional function)
 - ◆ As long as the SIM card one the car, the police can help locate it
 - ◆ The owner check the status of the car, only where the locate function opened

Installing Instruction





Model Number:JJ-CA-GSM02

Product Image



Product Description:

- **Special Feature:** Demolish the battery of the car, the system will give alarm by call, Whole course voice prompt
- **Optional remote:**Any model we have

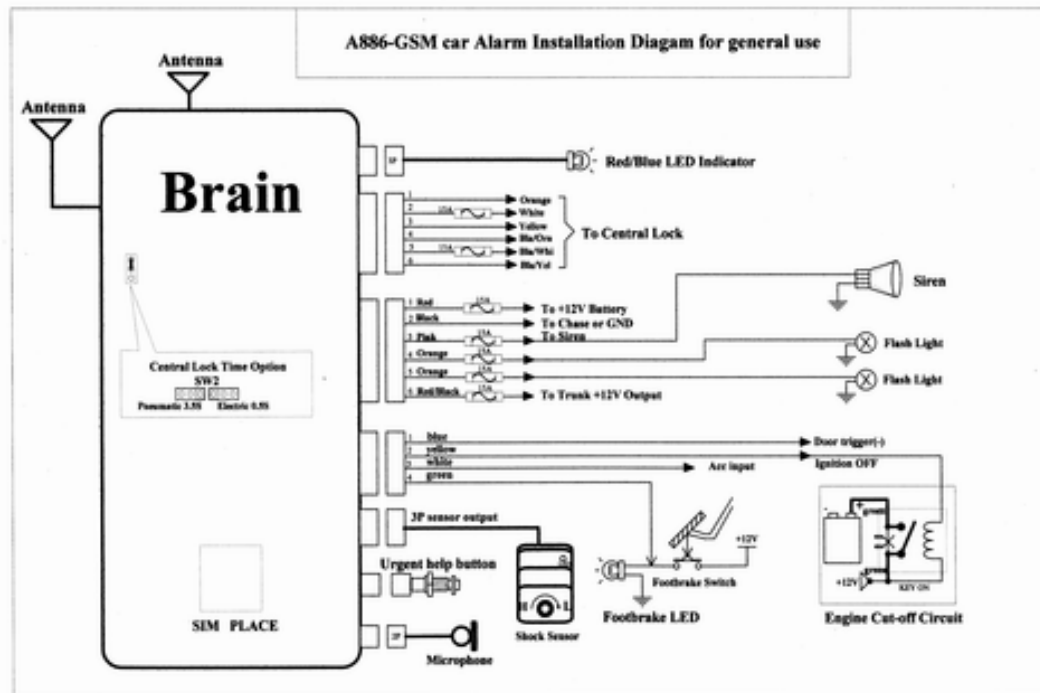


- **Voltage:**DC9-16V
- **Static Current:** ≤40mA
- **Frequency:**customized
- **Brand Name:**Giant
- **Country of Origin:**China
- **Product Category:**Car alarm
- **Certifications standard:**CE,ISO9001:2000
- **Payment terms:**T/T
- **FOB Port:**Xiamen
- **Configuration File:** 1 main control unit, 1 siren, 1 winding, 2 remote controls, 1 vibrant sensor, 1 relays
- **Key Specification:**
 - Three channels to control
 - Remote control (arm, disarm and open the tail tank)
 - Phone control (arm, disarm and oil/power cut off, seek the car, monitor)
 - SMS control: (arm/disarm, oil/power cut off, seek the car)
 - Three types alarm
 - Real siren alarm
 - Call the owner alarm
 - Send SMS to the owner alarm
 - Other special functions
 - Automatic central locking
 - Demolish the battery of the car, the system will give alarm by call
 - Whole course voice prompt
 - Anti-universal decoder
 - Locating (additional function)
 - As long as the SIM card one the car, the police can help to locate it
 - The owner check the status of the car, only where the locate function opened



- Remarks:
 - Model GSM02 for general use: can apply to all kind of cars
 - Model GSM03: used in case the car have auto-gear function but no wafer key function

Installing Instruction



Model Number:JJ-CA-GSM03

Product Image





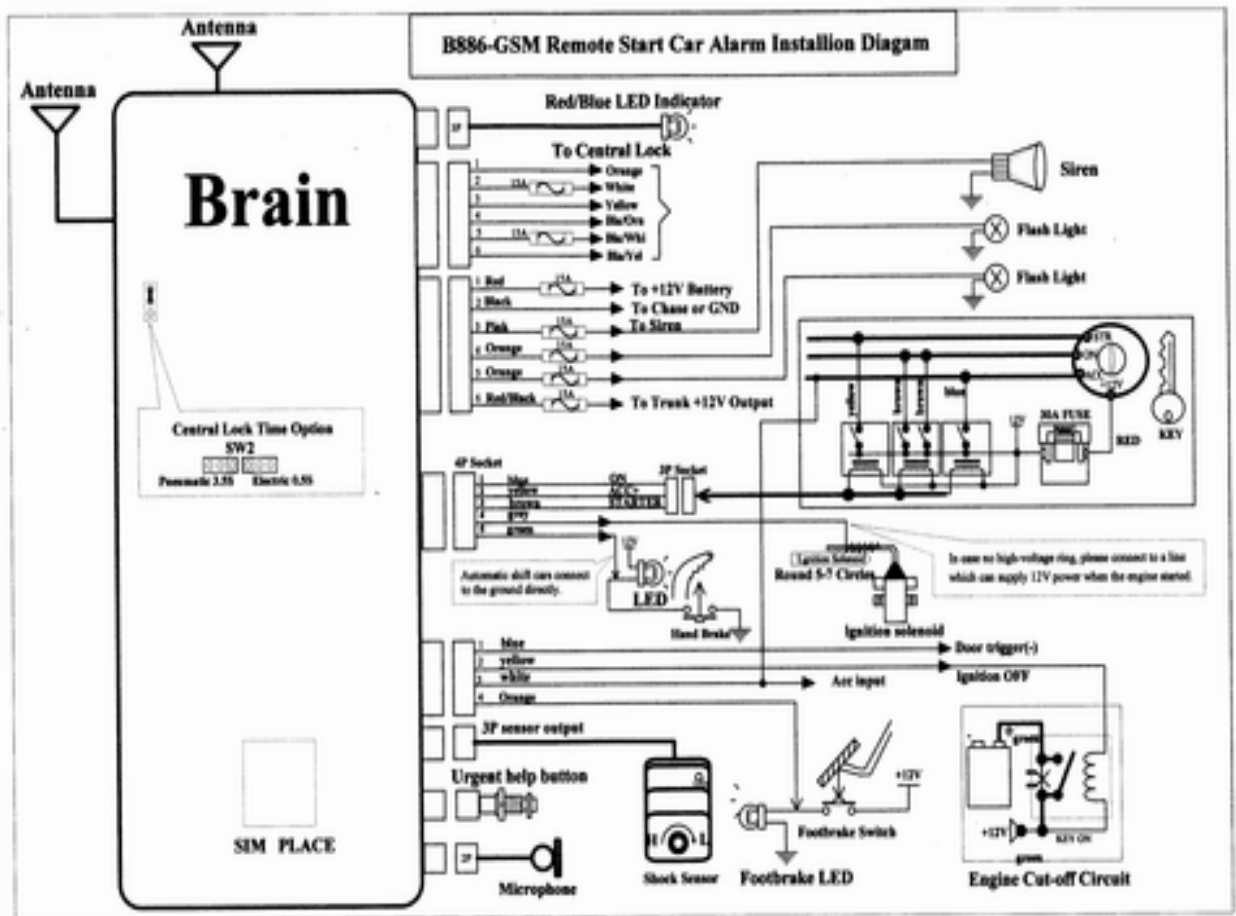
Product Description:

- **Special Feature:**Long-distance control by GSM communicate module,remote engine start/stop(long-distance control by GSM)
- **work voltage:**DC9-16V
- **Static current:**≤40mA
- **Frequency:**customized
- **Brand Name:**Giant
- **Country of Origin:**China
- **Product Category:**Car remote starters
- **Certifications standard:**CE,ISO9001:2000
- **Payment terms:**T/T
- **FOB Port:**Xiamen
- **Key Specification:**
 - Three channels to control
 - Remote control (arm/disarm or open the tail tank)
 - Phone control (arm or disarm, oil or power cut off, seek the car, monitor)
 - SMS control: (arm/disarm and oil/power cut off, seek the car)
 - Three types alarm
 - Real siren alarm
 - Call the owner alarm
 - Send SMS to the owner alarm
 - Other special functions
 - Automatic central locking
 - Demolish the battery of the car, the system will give alarm by call
 - Whole course voice prompt
 - Anti-universal decoder
 - Locating (additional function)
 - As long as the SIM card one the car, the police can help to locate it



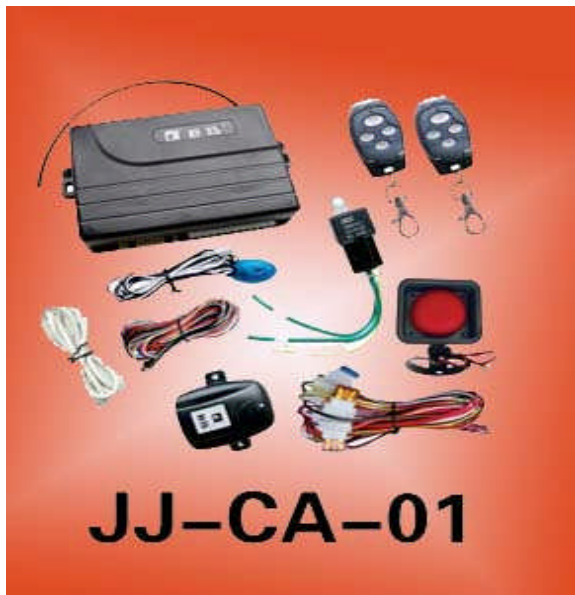
- The owner check the status of the car, only where the locate function opened)
- Remarks:
 - Model GSM02 for general use: can apply to all kind of cars
 - Model GSM03: used in case the car have auto-gear function but no wafer key function

Installing Instruction



Model Number:JJ-CA-01

Product Image



Product Description:

- **Special Feature:** New Design Metal buckle and the remote control with button carved by laser(Two remote control provided)
- **Configuration File:** 1 mainframe, 2 remote controls, 1 siren, 1 winding, 1 vibrant sensor
- **work voltage:**12V
- **Static current:**6mA
- **Frequency:**customized
- **Sound:**125db
- **Brand Name:**Giant
- **Country of Origin:**China
- **Product Category:**Car Alarm
- **Certifications standard:**CE,ISO9001:2000
- **Payment terms:**T/T

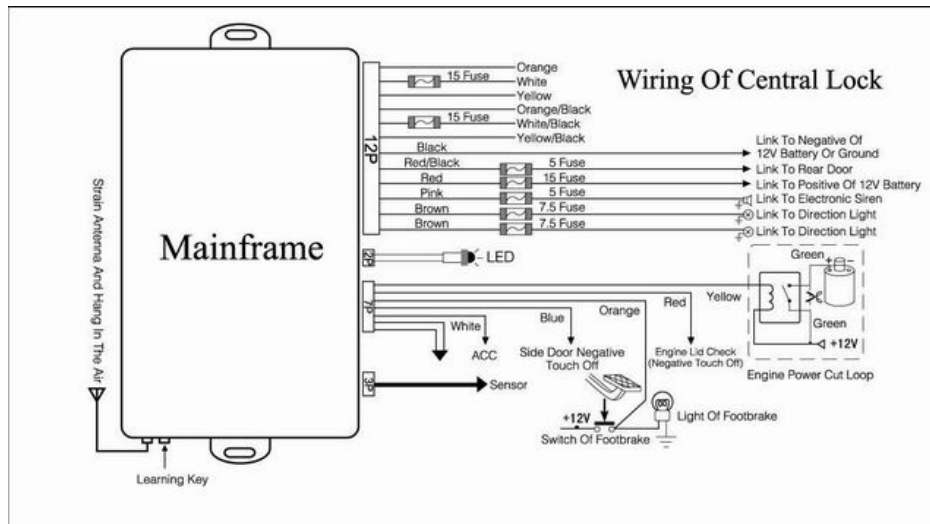


➤ **FOB Port:**Xiamen

➤ **Key Specification:**

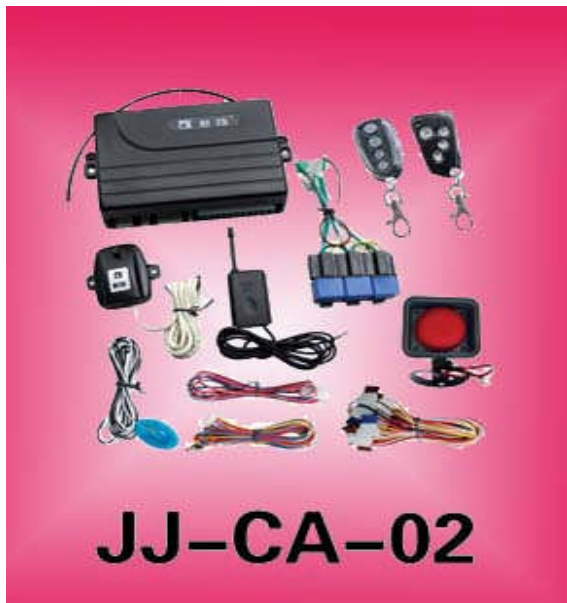
- Learning code/hopping code (optional)
- Remote arming/disarming
- Arming reminder
- Engine immobilization/anti-hijacking
- Auto rearming
- General central lock connection function
- Searching car
- Urgent call
- Door open alert
- Soundless/environmental alarm
- Adopt SAW device lock transmitter frequency
- Superbright blue LED
- Open the trunk remotely
- Functions can be changed by customer's request

Installing Instruction



Model Number:JJ-CA-02

Product Image



Product Description:

- **Special Feature:** New Design Metal buckle and the remote control with button carved by laser(Two remote control provided)
- **Configuration File:** 1 mainframe, 2 remote controls, 1 siren, 1 winding, 1 vibrant sensor,4 relays
- **work voltage:**12V
- **Static current:**6mA
- **Frequency:**customized
- **Sound:**125db
- **Brand Name:**Giant
- **Country of Origin:**China
- **Product Category:** Car remote starters
- **Certifications standard:**CE,ISO9001:2000
- **Payment terms:**T/T

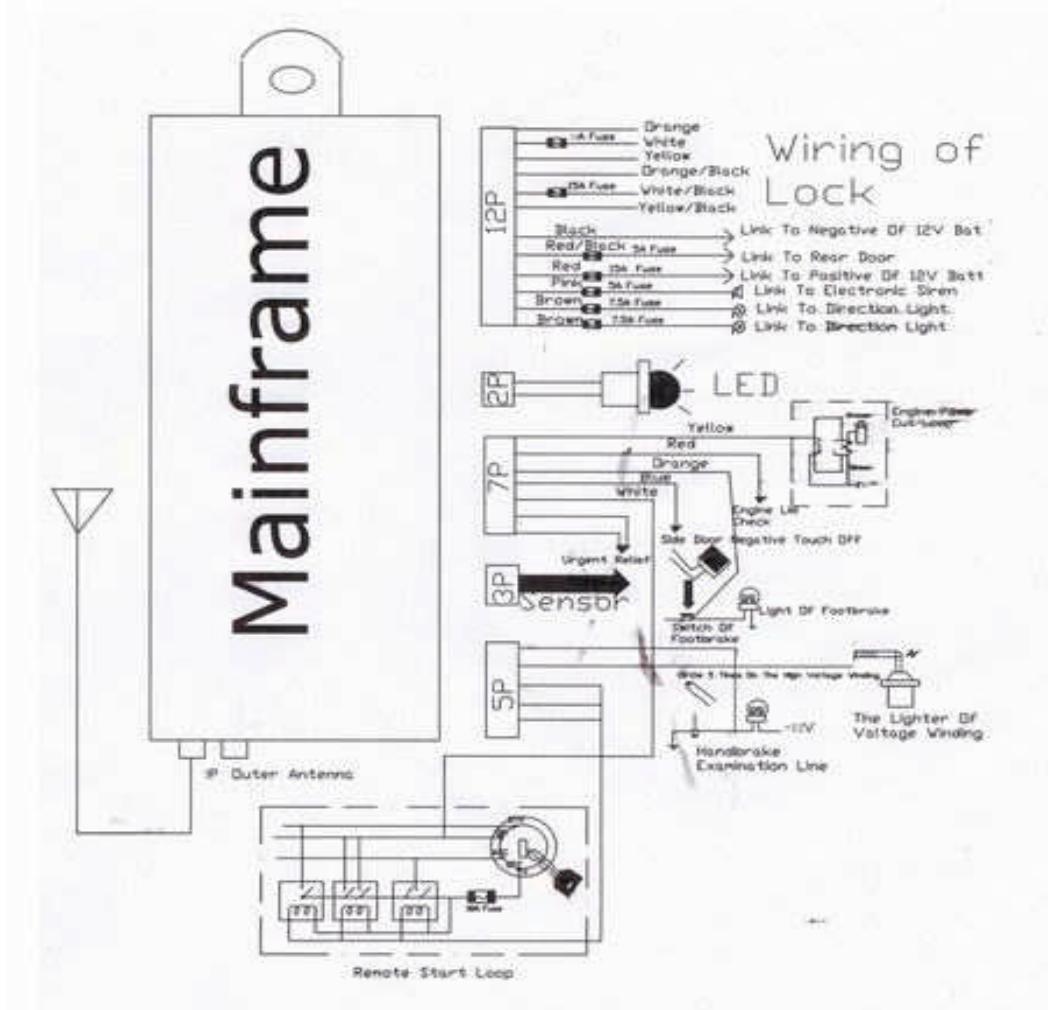


➤ **FOB Port:**Xiamen

➤ **Key Specification:**

- Turn on the air-condition installed in car remotely
- Warm the engine by timing in cold day
- Turbine add press to delay flame out
- New design metal buckle and the remote control with button carved by laser (two remote controls provided)
- Learning code/hopping code (optional)
- Remote arming/disarming
- Arming reminder
- Engine immobilization/anti-hijacking
- Auto rearming
- General central lock connection function
- Searching car
- Emergency call
- Adopt SAW device lock transmitter frequency
- Open the trunk remotely
- Functions can be changed by customer request

Installing Instruction



Model Number:JJ-CA-05

Product Image



Product Description:

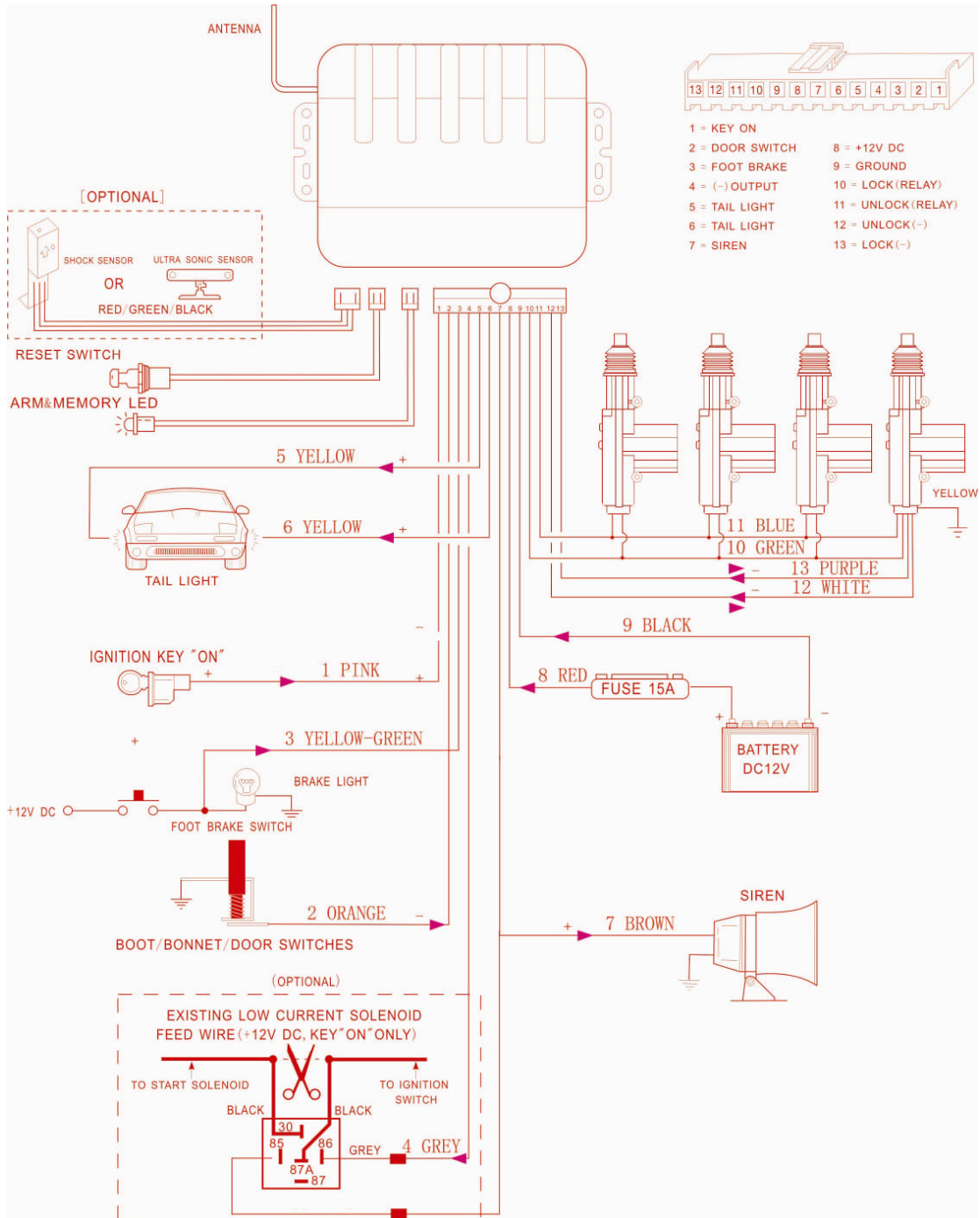


- **Special Feature:**New Design Metal buckle and the remote control with button carved by laser(Two remote control provided)
- **Configuration File:** 1 mainframe, 2 remote controls, 1 winding, 1 LED indicator,1 VET button
- **work voltage:**12V
- **Static current:**6mA
- **Frequency:**customized
- **Sound:**125db
- **Brand Name:**Giant
- **Country of Origin:**China
- **Product Category:**Car Alarm
- **Certifications standard:**CE,ISO9001:2000
- **Payment terms:**T/T
- **FOB Port:**Xiamen
- **Key Specification:**
 - Many types of remote controls optional
 - Fix code/learning code/hopping code(Optional)
 - Remotely arming/disarming
 - Arming reminder
 - Engine immobilization/anti-hijacking
 - Auto rearming
 - General central lock connection function
 - Searching car/emergency call
 - Door open alert
 - Soundless/Environmental alarm
 - Adopt SAW device to lock transmitter frequency
 - Blue super bright LED indicator



- Function changeable/customized

Installing Instruction



Model Number:JJ-CC-01

Product Image



Product Description:

- **Special Feature:** The high tension motor more than three kilograms
- **Configuration File:** 1 mainframe, 4 motors, 1 winding, hardware fittings
- **work voltage:** 12V
- **Pull:** >3KG
- **Brand Name:** Giant
- **Country of Origin:** China
- **Product Category:** central locking system
- **Certifications standard:** CE, ISO9001:2000
- **Payment terms:** T/T



➤ **FOB Port:**Xiamen

➤ **Key Specification:**

- The high tension motor more than three kilograms
- 360 degrees omnidirectional change
- Compatible with car alarm system
- Universal hardware accessories
- Many types of actuators are available
- Key and door button operation

Model Number:JJ-CC-02

Product Image



Product Description:

➤ **Special Feature:** The high tension motor more than three kilograms



- **Configuration File:** 1 mainframe, 4 motors,2 remote control, 1 winding,hardware fittings
- **Optional remote:**JJ-RC-F/G/I
- **work voltage:**12V
- Pull:>3KG
- **Brand Name:**Giant
- **Country of Origin:**China
- **Product Category:**central locking system
- **Certifications standard:**CE,ISO9001:2000
- **Payment terms:**T/T
- **FOB Port:**Xiamen
- **Key Specification:**
 - The high tension motor more than three kilograms
 - 360 degrees omnidirectional change
 - Compatible with car alarm system
 - Universal hardware accessories
 - Many types of actuators are available
 - Key and door butter operation
 - Simultaneous actions for remote control and manual operations
 - Many types remote control can be chosen
 - Fix code, learning code, hopping code
 - With turning light showing indication function

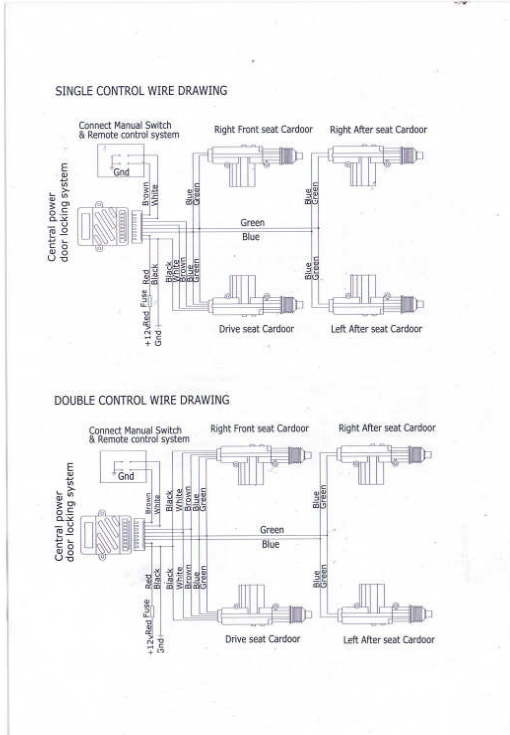
Model Number:JJ-CC-03

Product Image



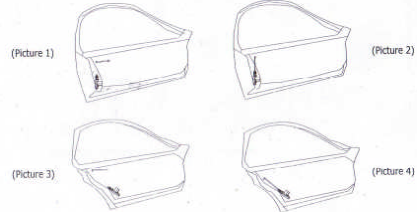
Product Description:

- **Special Feature:** Open(close) the door remotely
- **Configuration File:** 1 mainframe, 2 remote control, 1 wire
- **Optional remote:**optional
- **work voltage:**12V and 24V
- **Frequency:**customized
- **Brand Name:**Giant
- **Country of Origin:**China
- **Product Category:**central locking system
- **Certifications standard:**CE,ISO9001:2000
- **Payment terms:**T/T
- **FOB Port:**Xiamen
- **Key Specification:**
 - Open and close the door remotely
 - It is used for kinds of large carriage
 - Encoder model:PT2262



All-purpose type Central Lock System instruction

- 1) Special functions of this product:
 - a. Voltage: DC12V±3V
 - b. Moving distance: ±18MM±1MM
 - c. movement Force: 32N±4N
 - d. Humidity of usage area: -30°C ~ +80°C
- 2) Styles of usage for central locking system:
 - a. Single control style (1 for 3), one main lock with 5 wires, 3 secondary locks with 2 wires.
 - b. Double control style (2 for 2), two main locks with 5 wires, 2 secondary locks with 2 wires.
- 3) Brief assembly directions:
 - a. Before installing the central locking system, clearly understand the structure of the door that will be installed on. Make sure the place of installation, which will not affect the motion of the window.
 - b. After installing the lock, roll the window up and down few times, and make sure there is no scratching occurs, then put the door panel back on.
 - c. Do not put the main controller and remote controller into water, get wet, or leave under the sun at high temperature. If the remote controlling distance becomes shorter or indicator light becomes dimmer, change the battery as soon as possible.
 - d. Controller is sealed with super-sonic water proof materials, do not attempt to disassemble or take apart by yourself, ask an experienced or qualified profession.
- 4) Examples
 - a. For front driver_side door: remove the door panel, put the lock and metal piece on the metal board and stabilize. Then put the connecting stick into the right side hole (Picture 1) and then connect it straight down to the lock (Picture 2), then pull the stick inside and see if it moves with other locks. (Front passenger_side's assembly is the same)
 - b. For rear driver_side door: Put the lock and metal piece on the metal board and stabilize (Picture 3), on the bottom left stabilizing hole on the door panel. Then put the connecting stick into the hole on the right, and pull the stick down and extend it, find a right spot and connect it to the lock (Picture 4). (Rear passenger_side's assembly is the same)



Model Number: JJ-MB-01

Product Image



JJ-MB-01

Product Description:

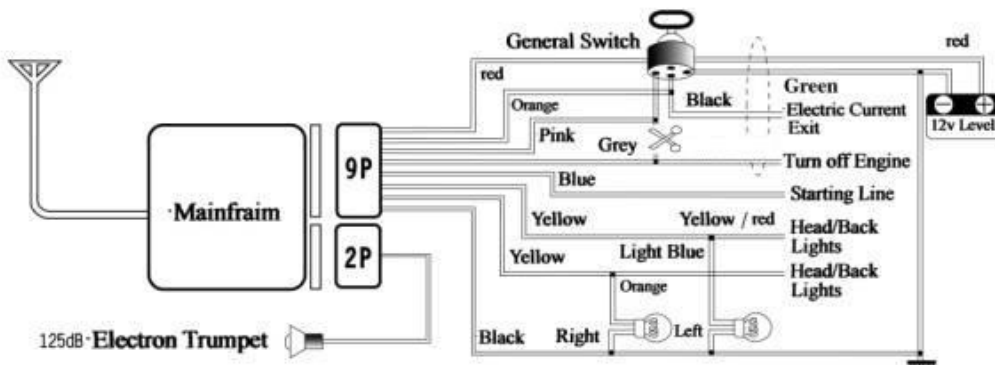


- **Special Feature:** Original installation import the American PIC microcomputer chip
- **Configuration File:** 1 mainframe, 2 remote controls(A/C), 1 siren, 1 winding
- **work voltage:**12V
- **Static current:**≤6mA
- **Frequency:**customized
- **Brand Name:**Giant
- **Country of Origin:**China
- **Product Category:**Motorcycle Alarm
- **Certifications standard:**CE,ISO9001:2000
- **Payment terms:**T/T
- **FOB Port:**Xiamen
- **Key Specification:**
 - Water-resistant remote control (optional)
 - Remote arming or disarming
 - Remote engine start or stop
 - Original installation import the American PIC microcomputer chip
 - Super remote range
 - Low power consumption
 - Engine immobilization/anti-hijack
 - Function can be changed by customer request

Installing Instruction



Installing Instruction (Based on KYMCO / GY125)



Model Number:JJ-MB-02

Product Image



Product Description:

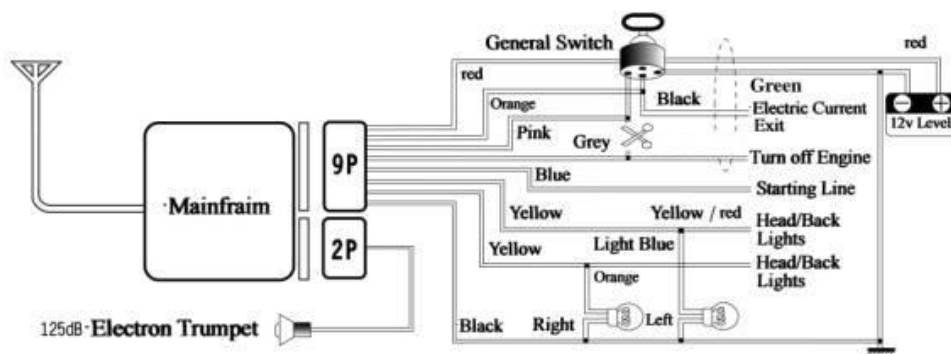
- **Special Feature:** Original installation import the American PIC microcomputer chip
- **Configuration File:** 1 mainframe, 2 remote controls(B/D), 1 siren, 1 winding
- **work voltage:**12V
- **Static current:**≤6mA



- **Frequency:**customized
- **Brand Name:**Giant
- **Country of Origin:**China
- **Product Category:**Motorcycle Alarm
- **Certifications standard:**CE,ISO9001:2000
- **Payment terms:**T/T
- **FOB Port:**Xiamen
- **Key Specification:**
 - Water-resistant mainframe
 - Water-resistant remote control (optional)
 - Remote arming and disarming
 - Remote engine start/stop
 - Original installation import the American PIC microcomputer chip
 - Super remote range
 - Low power consumption
 - Engine immobilization/anti-hijack
 - Remote control adjust sensitive
 - Functions can be changed by customer request

Installing Instruction

Installing Instruction (Based on KYMCO / GY125)





Model Number:JJ-MB-02-1

Product Image



Product Description:

- **Special Feature:** Engine immobilization and anti-hijack
- **Configuration File:** 1 mainframe, 2 remote controls, 1 siren, 1 winding, 1 spare battery
- **work voltage:**12V
- **Static current:**≤6mA
- **Frequency:**customized
- **Brand Name:**Giant
- **Country of Origin:**China
- **Product Category:**Motorcycle Alarm
- **Certifications standard:**CE,ISO9001:2000
- **Payment terms:**T/T
- **FOB Port:**Xiamen



➤ **Key Specification:**

- Several kinds of finely remotes (optional)
- Remote arming and disarming
- Remote engine start and stop
- Water-resistant mini-mainframe
- Supper remote range
- Low power consumption

Model Number:JJ-MB-02-2

Product Image



Product Description:

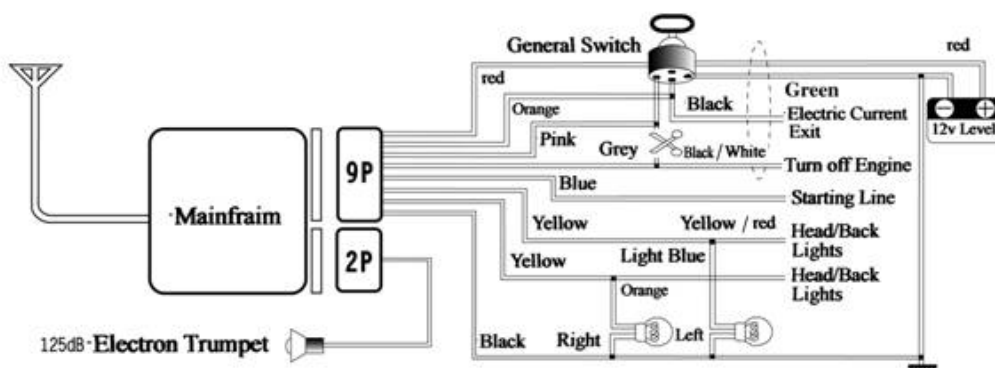
- **Special Feature:**
- **Configuration File:** 1 mainframe, 2 remote controls, 1 siren, 1 winding
- **work voltage:**12V
- **Static current:**≤6mA
- **Frequency:**customized



- **Brand Name:**Giant
- **Country of Origin:**China
- **Product Category:**Motorcycle Alarm
- **Certifications standard:**CE,ISO9001:2000
- **Payment terms:**T/T
- **FOB Port:**Xiamen
- **Key Specification:**
 - Several kinds of finely remotes (optional)
 - Remote arming and disarming
 - Remote engine start/stop
 - Water-resistant mini mainframe
 - Super remote range
 - Low power consumption
 - Engine immobilization/anti-hijack
 - Remote control adjust sensitive
 - Function can be changed by customer request

Installing Instruction

Installing Instruction (Based on KYMCO / GY125)





Model Number:JJ-MB-03

Product Image



Product Description:

- **Special Feature:** Original installation import the American PIC microcomputer chip
- **Configuration File:** 1 mainframe, 2 remote controls(E/C), 1 siren, 1 winding
- **work voltage:**12V
- **Static current:**≤6mA
- **Frequency:**customized
- **Brand Name:**Giant
- **Country of Origin:**China
- **Product Category:**Motorcycle Alarm
- **Certifications standard:**CE,ISO9001:2000



Product Description:

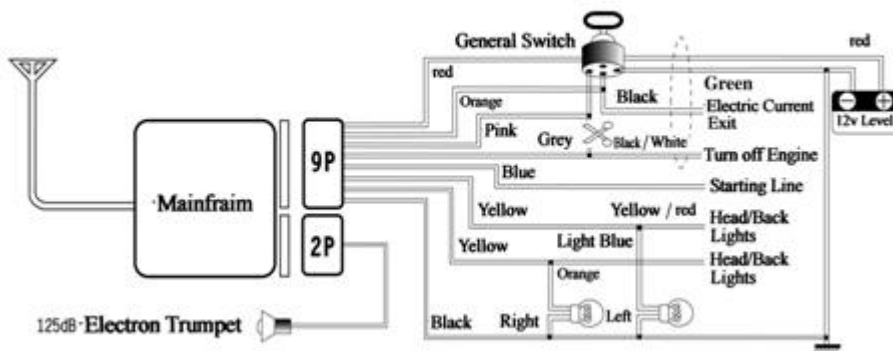
- **Special Feature:** Original installation import the American PIC microcomputer chip
- **Configuration File:** 1 mainframe, 2 remote controls, 1 siren, 1 winding, 1 spare battery
- **work voltage:** 12V
- **Static current:** 6mA
- **Sound:** 125db
- **Frequency:** customized
- **Brand Name:** Giant
- **Country of Origin:** China
- **Product Category:** Motorcycle Alarm
- **Certifications standard:** CE, ISO9001:2000
- **Payment terms:** T/T
- **FOB Port:** Xiamen
- **Key Specification:**



- Two-way return to show the state of motor anytime
- Intelligent anti-hijack(After motor has left the remote control for 100 meters flame out and alarm)
- Remote arming and disarming
- Remote engine start and stop
- Engine immobilization and Anti-hijack
- Original installation import the American PIC microcomputer
- Super remote range
- Low power consumption
- Remote control adjust sensitive
- Functions can be changed by customer request

Installing Instruction

Installing Instruction (Based on KYMCO / GY125)



Model Number:JJ-MB-05

Product Image





Product Description:

- **Special Feature:** Waterproof mini-mainframe, Remote control adjust sensitive
- **Configuration File:** 1 mainframe, 1 remote controls(A/B/D)
- **work voltage:**12V
- **Static current:** <6mA
- **Frequency:**customized
- **Brand Name:**Giant
- **Country of Origin:**China
- **Product Category:**Motorcycle Alarm
- **Certifications standard:**CE,ISO9001:2000
- **Payment terms:**T/T
- **FOB Port:**Xiamen
- **Key Specification:**
 - Several kinds of finely remotes (optional)
 - Remote arming and disarming
 - Water-resistant mini-mainframe
 - Supper remote range
 - Low power consumption
 - Remote control adjust sensitive
 - Simple installation

Model Number:JJ-MB-06

Product Image



Product Description:

- **Special Feature:** Our alarm has a special circuit desinged to stop thieves. If a thief breaks the circuit then the alarm will alert the police straight away
- **Configuration File:** 1 mainframe, 2 remote controls,1 siren,1 windings,1 spare battery
- **work voltage:**12V
- **Static current:** <6mA
- **Frequency:**customized
- **Brand Name:**Giant
- **Country of Origin:**China
- **Product Category:**Motorcycle Alarm
- **Certifications standard:**CE,ISO9001:2000
- **Payment terms:**T/T
- **FOB Port:**Xiamen



➤ Key Specification:

- Our alarm has a special circuit designed to stop thieves. If a thief breaks the circuit then the alarm will alert the police straight away (with 1 spare battery)
- Several kinds of finely remotes (optional)
- Remote arming/disarming
- Remote engine start/stop
- Water-resistant mini-mainframe
- Super remote range
- Low power consumption
- Engine immobilization/anti-hijack
- Remote control adjust sensitive
- Function can be changed by customer request

Installing Instruction

Installing Instruction (Based on KYMCO / GY125)

