

## 5W RGB Spotlight with remote Specification

**GU10**



**PAR16**



**MR16**



- Color changing by IR remote controller
- R/G/B can be adjusted individually with 20-scale
- May store up from decide the colors or mode and recall anytime
- Support R/G/B true color changing gradually
- Support AC synchronous color changing



ITEM NO	LED COLOR	SIZE (mm)	BASE	VOLTAGE	POWER CONSUMPTION	VIEWING ANGLE	CONTROLLER
LPI-G110-B	R+G+B	50*70	GU10	AC100-240V	5W	70°	IR
LPI-M116-B	R+G+B	50*70	PAR16 E27	AC100-240V	5W	70°	IR
LPI-E127-B	R+G+B	50*70	MR16 G5.3	12V DC	5W	70°	IR

## 5W RGB Spotlight with remote Specification

### Absolute Maximum Ratings

Parameter	Symbol	Rating	Units
LED Junction Temperature	Tj	150	°C
Plastic bottom Temperature	Tc	50	°C
Operating Temperature	Topr	-10~40	°C
Storage Temperature	Tstg	-40~60	°C
Input AC Voltage	Vac	100~240	V
Power Consumption	W	2~5	Watts
Heat sink temperature	Th	70max	°C

Viewing Angle	Current per color	<b>R</b> Lux @ 1m	<b>G</b> Lux @ 1m	<b>B</b> Lux @ 1m
70 degree	300mA	14 +/- 3	28 +/- 5	1.5 +/- 0

### **MTBF** (Mean Time Between Failure) OF LED LIGHT SOURCE

Tj (°C)	Life (hours)	Tj (°C)	Life (hours)
25	234,000	85	29,900
30	191,000	90	25,700
35	157,000	95	22,300
40	129,000	100	19,500
45	107,000	105	17,100
50	90,000	110	15,100
55	75,000	115	13,300
60	64,000	120	11,700
65	54,000	125	10,300
70	46,000	130	9,300
75	39,500	140	7,500
80	34,000	150	6,000

$$\log(\text{Life}) = \frac{1600}{Tj(^{\circ}\text{C}) + 273} \quad (\text{Life means the time of light output becomes 70\%})$$

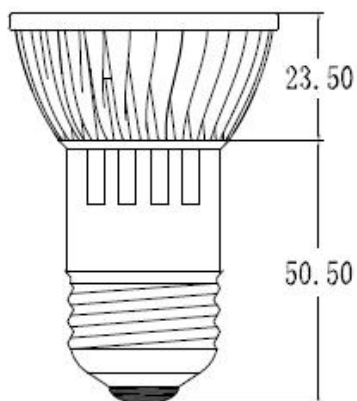
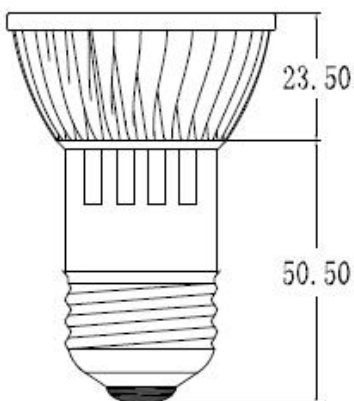
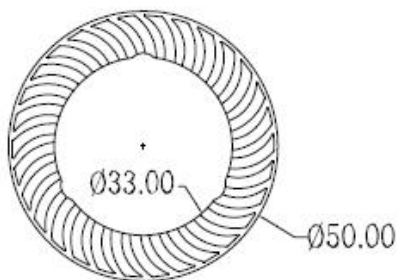
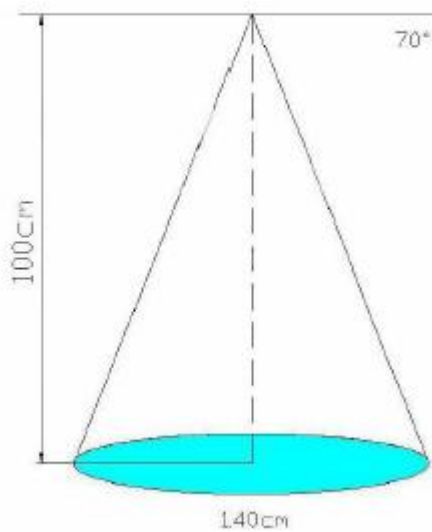
Color/Mode	Heat Sink Temp(°C) (Note 1)	Tj(°C) of LED	Life of LED source (hours)
White (R+G+B)	70	95	20,000 (Note 2)
Red	41	66	52,000
Orange	48	73	46,000
Yellow	54	79	35,000
Green	42	67	50,000
Blue	42	67	50,000
Cyan	45	70	46,000
Purple	45	70	46,000
Strobe	44	69	47,000
Fading	41	66	52,000
Smooth Flow	45	70	50,000

Note1: Measure at room temperature 25°C

Note2: Don't use this RGB lamp as white light lamps, because the high temperature will cause transformer to shut down or to the damage of other components.

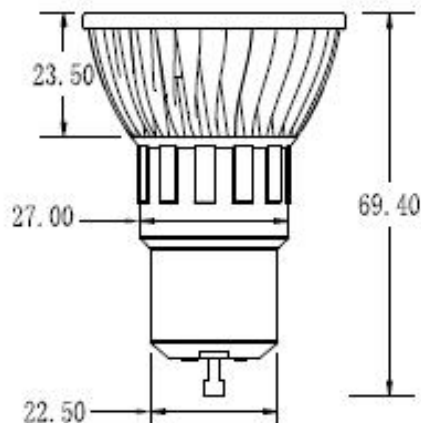
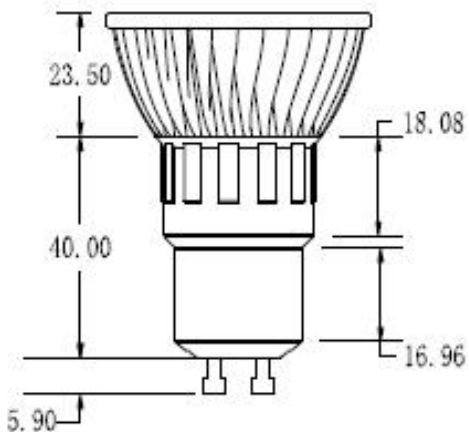
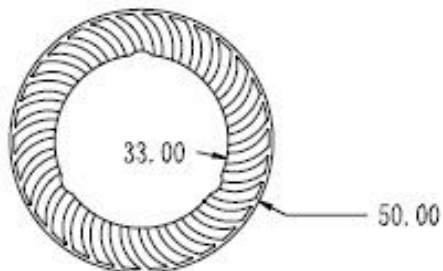
# 5W RGB Spotlight with remote Specification

Measurement of RGB brightness

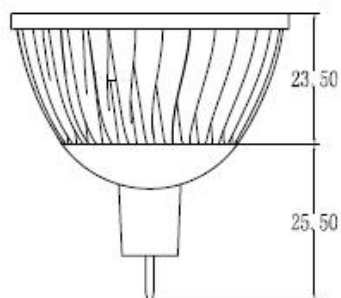
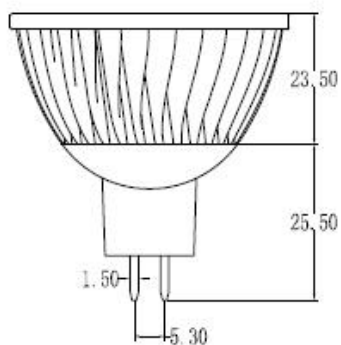
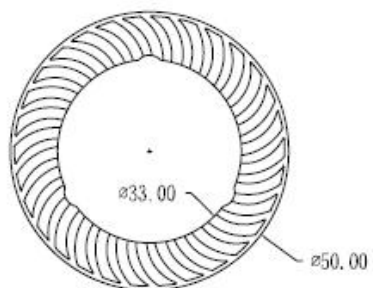


mm

# 5W RGB Spotlight with remote Specification














mm



mm

## 5W RGB Spotlight with remote Specification

### REMOTE CONTROLLER

Instruction	
 <p>Battery Type: CR2025/3V</p>	 Power ON/OFF
	 Includes pre-programmed colors of Red, Orange, Yellow, Green, Blue, Cyan, Purple
	 White light flash (for MR16, PAR16, GU10)
	 Includes Strobe, Fading and Smooth flow with RGB true color changing (Note: Each mode is pre-programmed with the 1st speed when change these 3 modes)
	 Speed adjuster (8 scales)(for Strobe,Fading and Smooth flow)
	 Dimmer for Red LED (20 scales)
	 Dimmer for Green LED (20 scales)
	 Dimmer for Blue LED (20 scales)
	 Clear the Color
	 Save Color or Mode with Speed
	 Read Color or Mode with Speed

### **Note:**

1. *Input voltage range: 100~240V*
2. *Please do not use this product in high humidity.*
3. *Do not use this product with ambient temperature over 40.*
4. *Do not operation in dimming circuits*
5. *This product should only be used in a well-ventilated condition. Do not install this product within an airtight lighting fixture.*
6. *Please do not take apart any parts of this product.*
7. *Indoor use only.*