

SPECIFICATIONS	26041
Length, inch/mm / monocular // riflescope	6.4 / 162 // 10.3 / 261
Width, inch/mm	3.2 / 82
Height, inch/mm	2.4 / 60
Weight, oz/kg / monocular // riflescope	17.6 / 0.5 // 24.7 / 0.7
Visual Magnification, x monocular / riflescope	3 / 1.5
Vertical Resolution, lines/mm	36
Angular Field of View, monocular / riflescope	20° / 20°
Eye Relief, mm monocular / riflescope	12 / 45
Objective Lens, mm	42
Viewing Range*, m	200
Eyepiece adjustment, diopter	±4
Operating Voltage, V	3
Built in I.R. Illuminator, yd./m	100 / 100
Tripod mount, inch	1/4
Laser Pointer (LP) Wavelength, nm	633
LP Dispersion angle, mRad	1.0
LP Power, mW	4.0
LP Angle adjustment, angle/degrees	±2.0
Temperature Range	-22°F to +104°F -30°C to +40°C
Maximum Humidity, %	93
Operating Time, hour	20

UNPACKING THE UNIT

The NVMT 5 night vision scope comes with the following:

- Carrying Case
- Riflescope eyepiece
- Red Dot Laser Pointer
- Riflescope Mounting Bracket
- This User's Manual
- Warranty Registration Card
- Photo/video adapter*

* Optional

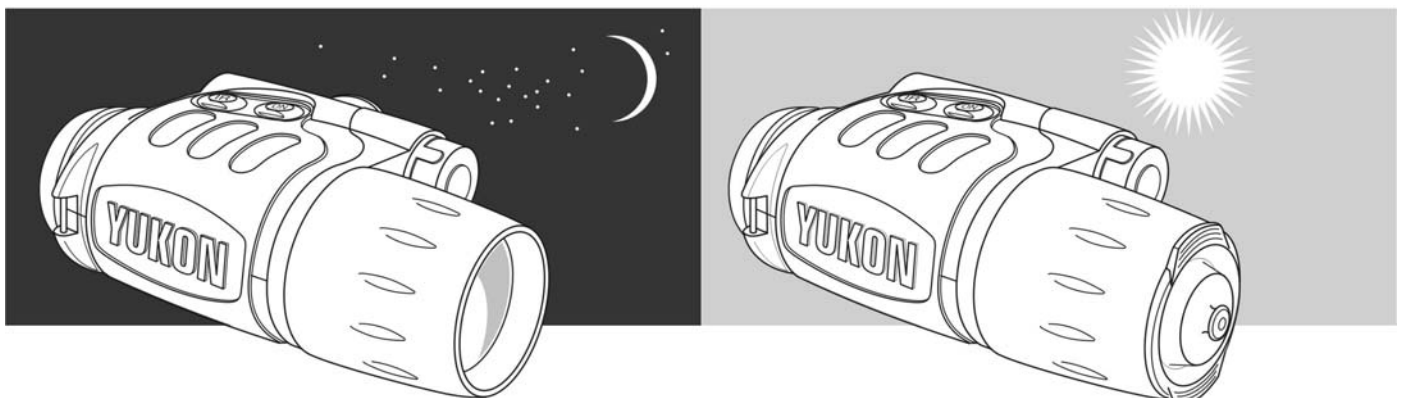


* Maximum distance at which a human figure can be recognized under ideal viewing conditions; defined as clear conditions (no fog, dust, etc.) under the light of 1/4 moon (5x10⁻² lux minimum).

OVERVIEW

NVMT 5 Riflescope Kit - is a device that can be used as a night vision monocular or a riflescope. A dot of a laser pointer is used as an aiming reticle of the device. With the laser pointer installed on the night vision or the rifle can be used independently during the day. Night vision monocular has high illuminative and high magnification power. With rifle eyepiece and rifle mount in place, the device can be used as a night vision riflescope. The kit allows NVMT to be used in many situations and for a range of purposes. The NVMT 5 scope is ideal for a wide variety of professional and recreational uses including:

- Wild life observation
- Search and rescue
- Night hunting and fishing
- Nighttime photo / video
- Equipment Maintenance



■ WARNINGS AND PRECAUTIONS

The NVMT 5 night vision scope was designed to provide many years of reliable service. To ensure that you get the most enjoyment out of your NVMT 5 always obey the following Warnings and Precautions:

- Do not point the NVMT 5 towards any light source greater than 1 lux. (car headlights, sun, bright lamp, etc.) for an extended period of time. The NVMT 5 utilizes an internal flash protection system, which minimizes potential damage, but long-term exposure to bright lights can damage the unit. Any damage from user mistreatment will void the warranty.
- The NVMT 5 was designed to be self-contained. Do not open the body of the scope or otherwise attempt to service this device.
- Always store the NVMT 5 in a dry, well-ventilated room.
- Keep the NVMT 5 away from any heating and air conditioning vents or other heating devices.
- Keep the NVMT 5 out of direct sunlight, dust and moisture. Additional precautions include avoiding any sudden or extreme temperature changes.
- Avoid dropping or otherwise shocking the unit. Although designed for rugged outdoor use, the NVMT 5 incorporates a sophisticated optical system, which can be damaged if misused.

Damage to this device from failure to observe these warnings may void the warranty!

■ BATTERY INSTALLATION

Your NVMT 5 runs on one battery - 3V Lithium CR123A. To install, unscrew the battery compartment cover, insert the battery into the battery compartment so that the positive (+) and negative (-) terminals of the battery match the markings inside the compartment. Replace the battery cover carefully. Do not over tighten.

Unscrew the Laser Pointer battery compartment cover (6), insert the PX28L battery into the battery compartment so that the positive (+) and negative (-) terminals of the battery match the markings inside the compartment. Replace the battery cover carefully. Do not over tighten.

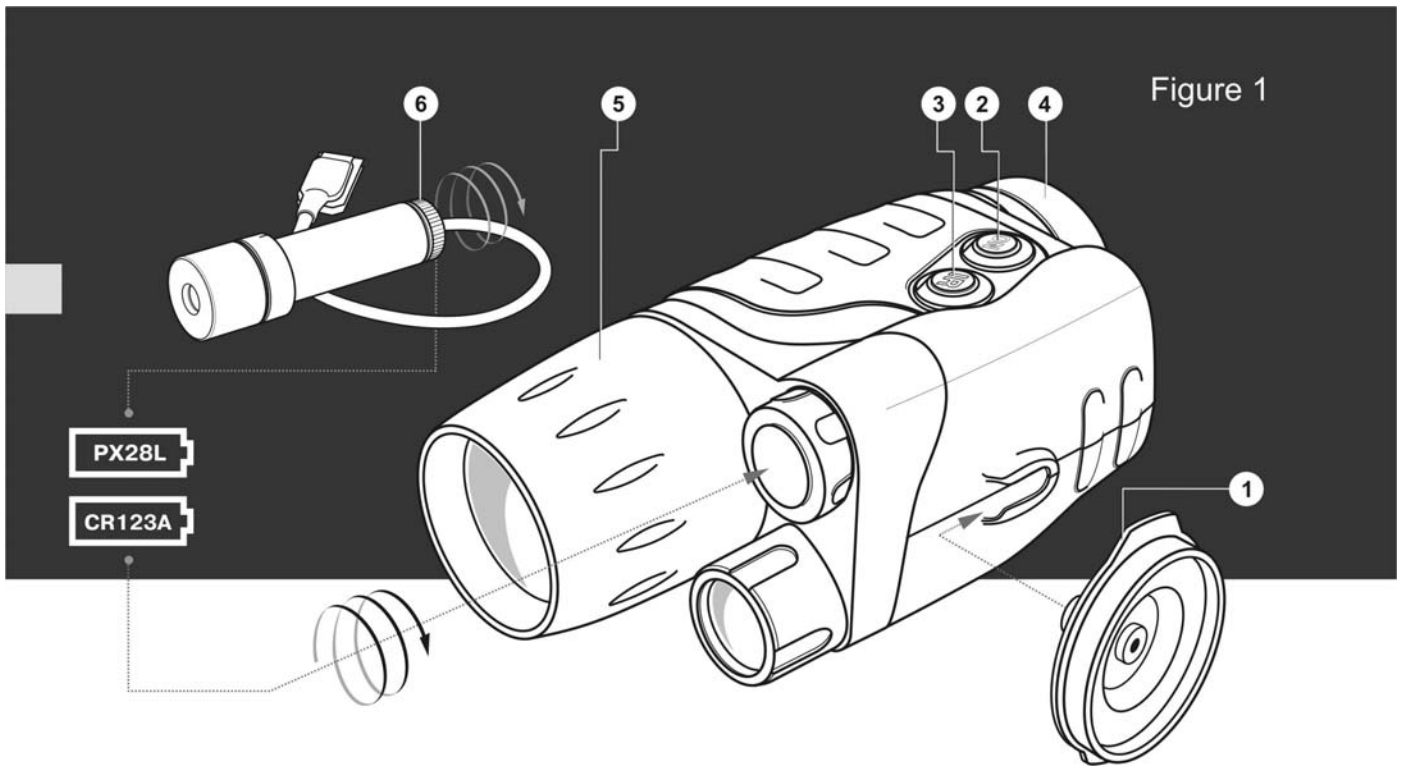
■ USE AND TESTING

A. Monocular (See Figure 1)

Your NVMT 5 operates using one CR123A battery. Make sure it has been installed according to instructions found in the Battery Installation section of this manual.

- If you wish to test your night vision device in a lighted area, be sure the lens cap is in place prior to pressing the “ON” button. The lens cap has a pinhole opening to admit a small amount of light for testing purposes.
- Move into a dark area before activating the NVMT amplifier.
- Remove the lens cap (1) and store in pocket provided.
- Activate the device by pushing the “ON” button (2).
- If the subject to be viewed is in a completely dark area, including low light shadow areas, activate the infrared illuminator by pressing the “IR” Button (3) located next to the “ON” button.

Figure 1



- Direct your NVMT 5 device at an object at a distance approximately 100 yards. Adjust the eyepiece and objective lens diopter setting to focus the unit by rotating the eyepiece (4) and objective lens (5). After the adjustment, do not rotate the eyepiece irrespective of the distance and other conditions.

- Direct your NVMT 5 device at the subject to be viewed and adjust the final focus by rotating the objective lens (5) focusing ring until the image quality is optimal.

- The Green LED indicates that the light amplifier unit is on. The Red LED indicates that the IR illuminator is on.

Do not store your NVMT 5 when any of the indicators are lit. When you finish using your NVMT 5 device, turn off the IR illuminator and light amplifier. Return the lens cap to the objective lens.

B. RIFLESCOPE (See Figure 2)

- Unscrew the eyepiece of the monocular (1) by rotating it counterclockwise.
- Screw the eyepiece of the riflescope (2) clockwise.
- Fasten Red Dot Laser Pointer to the Riflescope Mounting Bracket (3) by clamp (6) and two screws (7).

- Fasten the monocular to the Riflescope Mounting Bracket (3) by means of two screws (4)
- Fasten the Riflescope Mounting Bracket (3) on the rifle by two screws (8).
- Fasten the Laser Pointer “ON” button (9) to the fore-end of rifle stock.
- Before activating the device come into dark area.
- Remove the objective lens cap (10) and store in a pocket provided.
- Activate the device by pushing the “ON” button (12).
- If you wish to test your night vision device in a lighted area, be sure the lens cap is in place prior to pressing the “ON” button. The lens cap has a pinhole opening to admit a small amount of light for testing purposes.

- If the subject to be viewed is in a completely dark area, including low light shadow areas, activate the infrared illuminator by pressing the IR Button (11) located next to the “ON” button.

- Direct your NVMT 5 device at an object at a distance approximately 100 yards. Adjust the eyepiece and objective lens diopter setting to focus the unit by rotating the eyepiece (2) and objective lens (10). After the adjustment, do not rotate the eyepiece irrespective of the distance and other conditions.

- Direct your NVMT 5 device at the subject to be viewed and adjust the final focus by rotating the objective lens (10) focusing ring until the image quality is optimal.

- After installation of the riflescope to the rifle it is necessary to carry out adjustment/ranging fire. Unscrew the cover (13) and adjust the aiming position of the dot by turning the screws (14). Zeroing-in the Laser Pointer is identical to adjusting a regular rifle scope. Screw the cover (13).

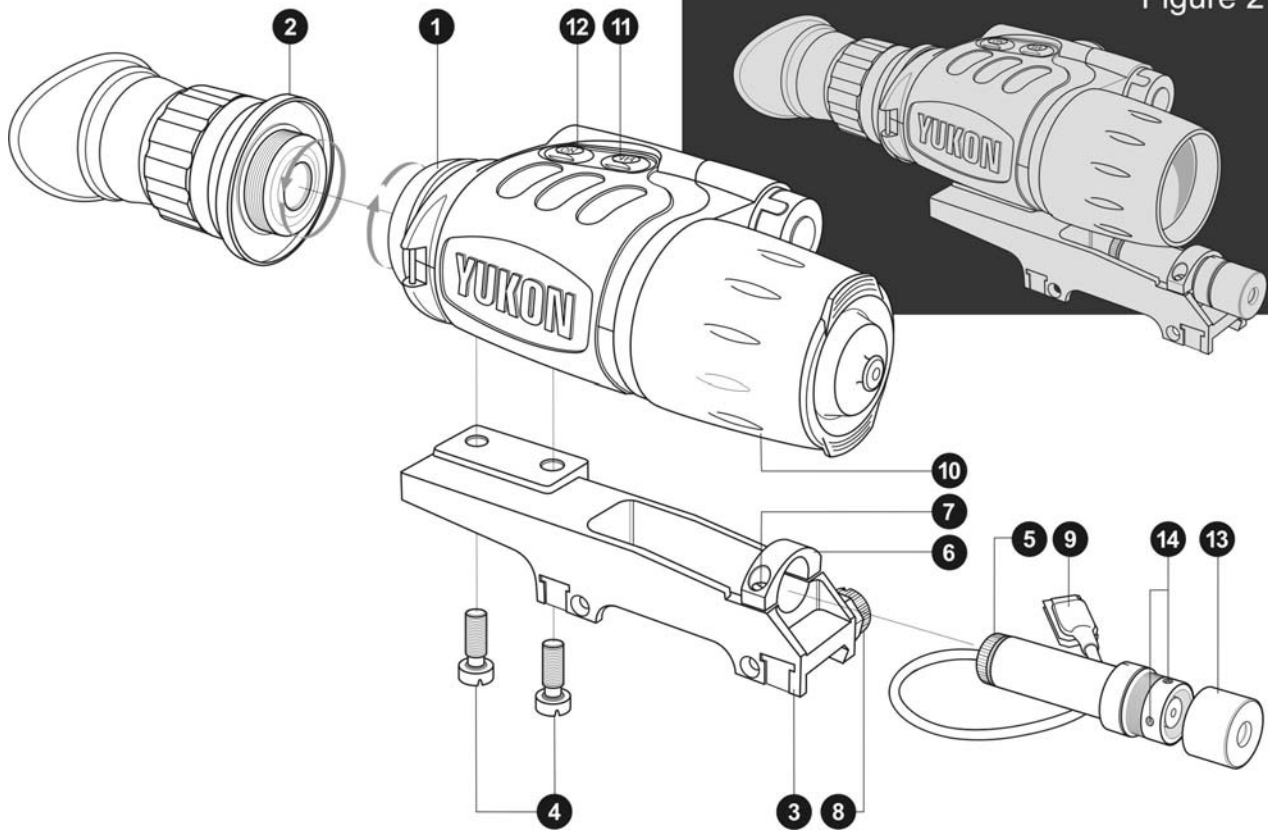


Figure 2

- Illuminate the target by pressing the button (9). You are ready to shoot.
- When you finish your work with NVMT 5 riflescope, put the lens cap on the objective lens, take the device and Laser Pointer off the Riflescope Mounting Bracket and put all the parts into the carrying case. The Green LED indicates that the light amplifier unit is on. The Red LED indicates that the IR illuminator is on. Always remember to turn off the entire unit including the IR illuminator and light amplifier when done. Do not store your NVMT 5 when any of the indicators are lit.

CAUTION!

Your NVMT 5 can be used in extreme cold. However, when the unit is brought back into a warm environment, you **MUST** wait approximately 5 HOURS before using the unit again. Damage may occur due to condensation that may have accumulated on the internal circuitry of the unit.

MAINTENANCE

Maintaining the NVMT 5 is simple:

- Clean the lens with professional lens cleaning supplies intended for use with multicoated optics.
- Blow any dust or dirt off the lenses using dry, compressed air.
- Clean the NVMT 5 housing with a soft, clean cloth.

STORAGE

Always store the NVMT 5 in its case in a dry, well-ventilated area away from heating/air conditioning vents, or other heating devices. Temperature should be +10°C. Humidity should not exceed 70%. Remove the batteries if the device is to be stored for longer than 2 months.

TROUBLESHOOTING

- **The scope will not turn on...**

Check that the battery is installed properly. Install the battery according to the (+) and (-) polarity, ensuring that the markings on the battery and battery compartment correspond with one another. Check the battery contact to ensure it is clean and free of corrosion; if necessary, clean the contact. Make sure that the external contact lug is not broken. If necessary, replace the battery as it may be depleted. Also, be sure that the power is in the "ON" position when trying to turn on the scope.

- **Distinct black dots appear on the screen...**

These dots are minor cosmetic blemishes resulting from tube production processes and do not interfere with the reliability or performance of the scope.

- **The scope flickers, flashes or “snows”...**

The scope may flicker or flash when used in a bright environment; to correct this, place the cap over the objective lens and enter a dark environment. The scope will restore itself to a natural functioning state in several minutes or hours, depending on how long the scope had been exposed to the light. The scope may flicker for the first several seconds of use, even when in a dark environment, before the scope corrects itself and functions properly. The scope may “snow” for several minutes after being exposed to a bright light source (daylight, a car's headlights, fire, etc.) even if being operated in complete darkness.

- **The image is not focused...**

Adjust the focus of the eyepiece and the objective (see Use and Testing). Check that the lenses are not foggy or dusty; if they are, carefully clean the external surfaces of lenses with a soft cotton fabric. Replace the battery if the total battery charge is less than 2.0 V. When the unit is brought into a warm environment from a cold one, condensation may appear on the internal lenses; you must wait two hours before using the unit.

- **Visibility decreases or disappears...**

Bright light sources, such as headlights, may cause visibility to decrease or disappear and the image to flicker. Turn the power off and turn the scope away from the light source; visibility will restore itself in several minutes.