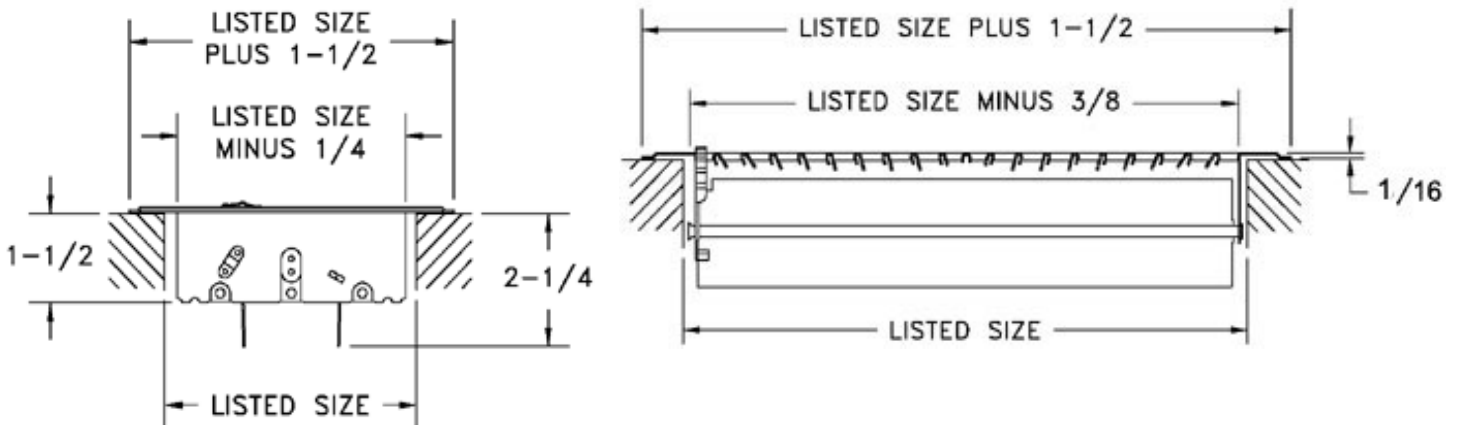


SwiftAire

Register,Grille & Diffuser
<http://www.swiftairechina.com>
 e-mail : swiftaire7@gmail.com

Floor Register (1FL)

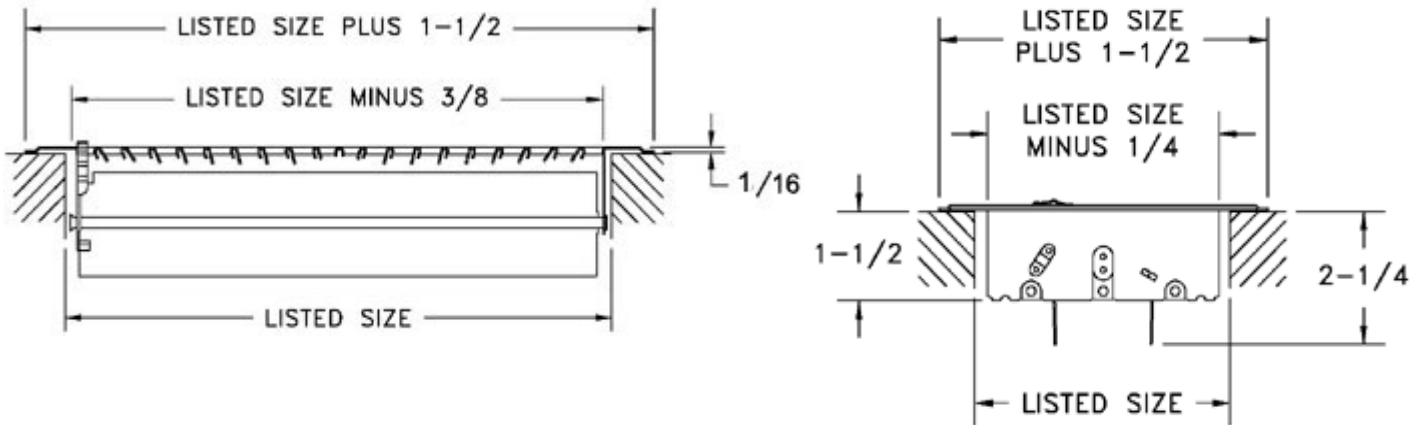


Features :

1.) For Floor Application
2.) All Steel Construction
3.) Multi Angle Fin Setting
4.) Rolled Fin For Strength And Safety
5.) Heavy Gauge Stamped Face And Welded Construction
6.) Foot Operated Dial Control
7.) White Or Bright Brown Powder Coating
8.) Other Colors (Need Two More Weeks For Production)

Floor Register Available Size (Inches)					
HT	WIDTH				
	8	10	12	14	
2		X	X	X	
4	X	X	X	X	
6		X	X	X	

Floor Register (1FL-B)

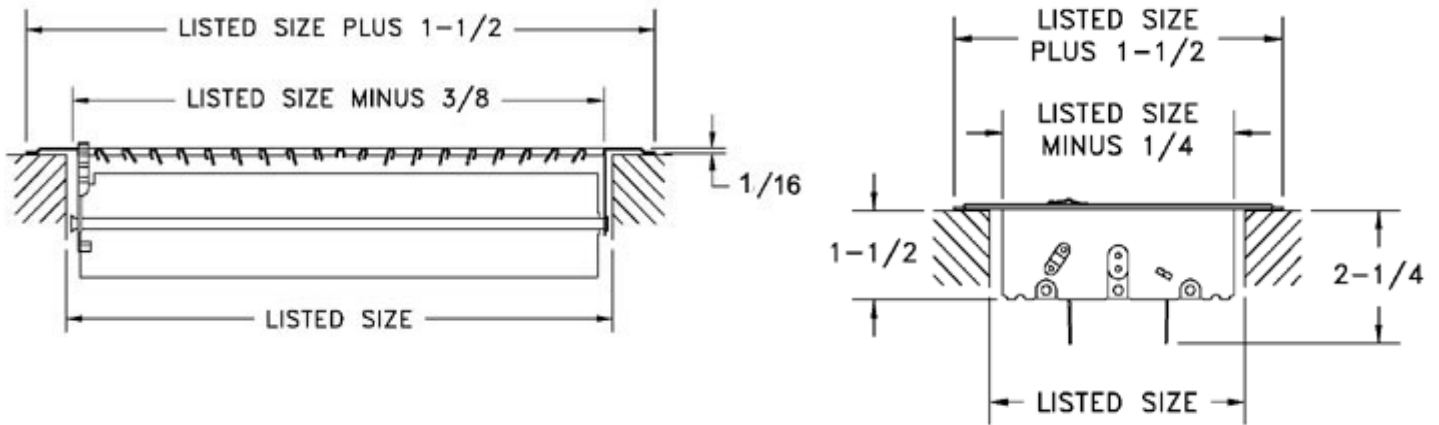
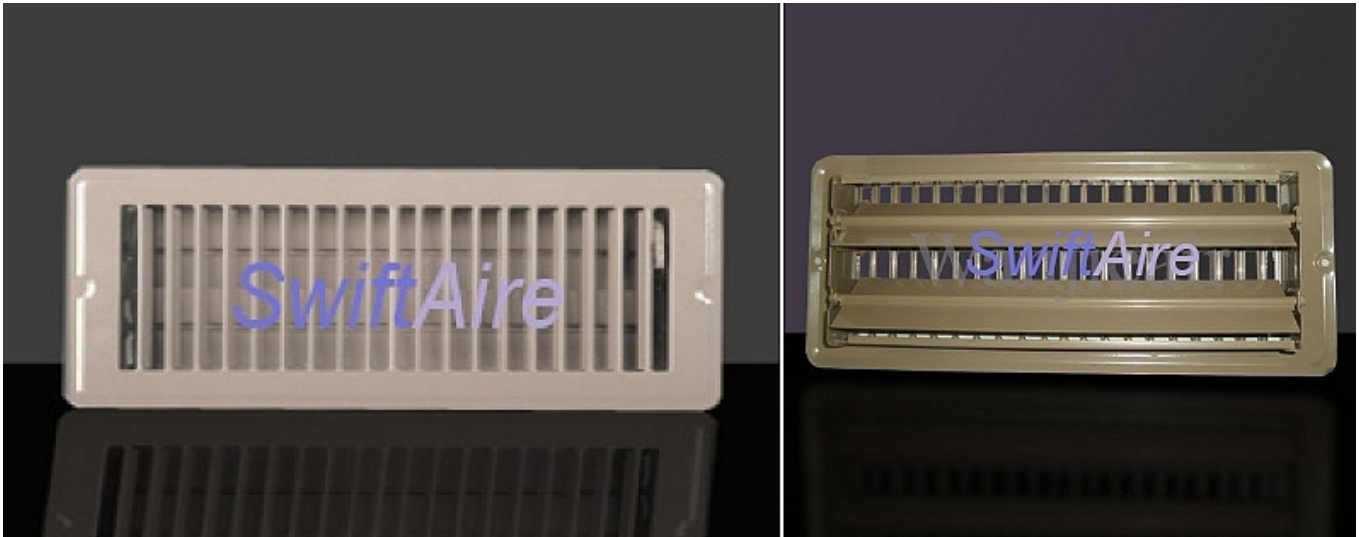


Features:

1.) For floor application
2.) All steel construction
3.) Multi-angle fin setting
4.) The fin is opposite to open
5.) Rolled fin for strength and safety
6.) Heavy gauge stamped face and welded construction
7.) Foot-operated dial control
8.) White or bright brown powder-coating finish
9.) Other Colors (Need Two More Weeks For Production)

Floor Register Available Size (Inches)					
HT	WIDTH				
	8	10	12	14	
2		X	X	X	
4	X	X	X	X	
6		X	X	X	

Floor Register (1FL-NH)

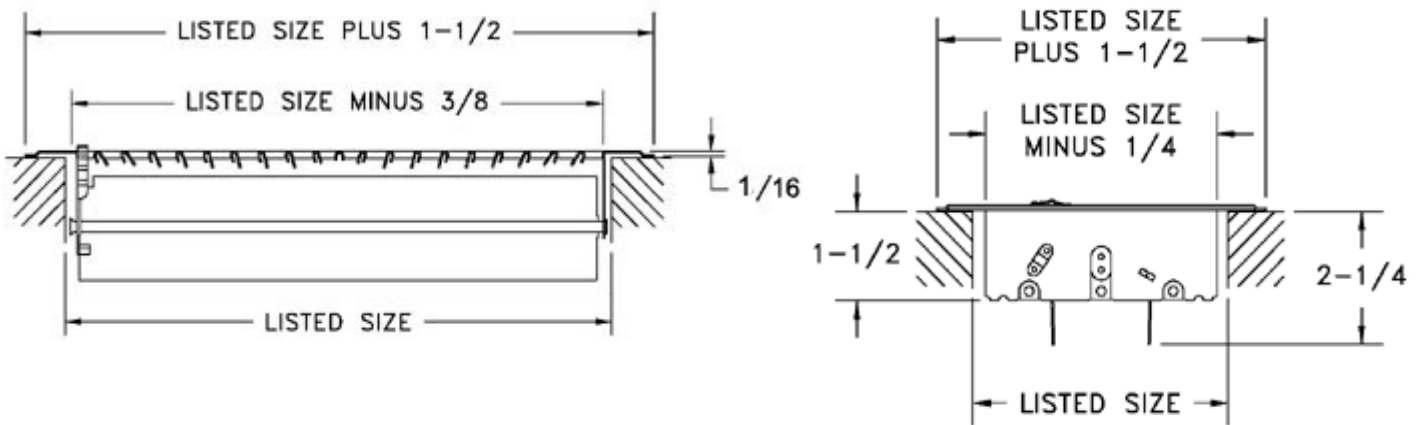


Features:

1.) For floor application
2.) All steel construction
3.) Multi-angle fin setting
4.) Rolled fin for strength and safety
5.) Heavy gauge stamped face and welded construction
6.) Foot-operated dial control
7.) White or bright brown powder-coating finish
8.) Face with no holes.
9.) Other Colors (Need Two More Weeks For Production)

Floor Register Available Size (Inches)					
HT	WIDTH				
	8	10	12	14	
2		X	X	X	
4	X	X	X	X	
6		X	X	X	

Floor Register (1FL-B-NH)

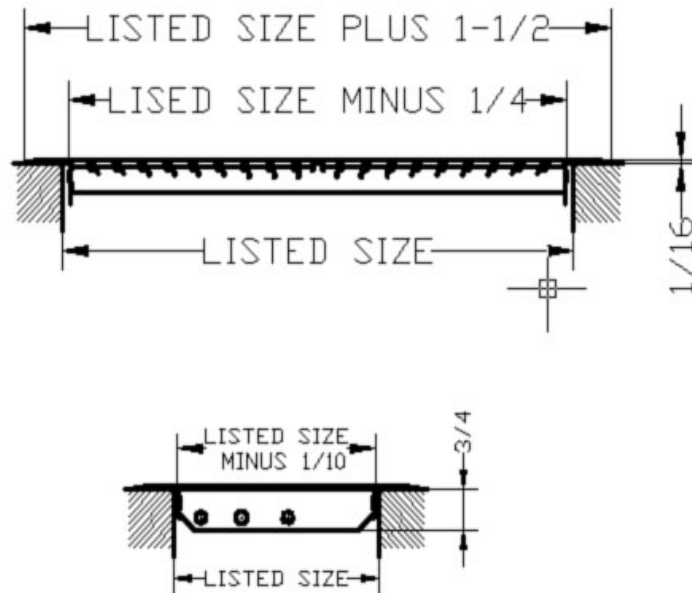


Features:

1.) For floor application
2.) All steel construction
3.) Multi-angle fin setting
4.) Rolled fin for strength and safety
5.) Heavy gauge stamped face and welded construction
6.) Foot-operated dial control
7.) Face with no holes
8.) White or bright brown powder-coating finish
9.) Other Colors (Need Two More Weeks For Production)

Floor Register Available Size (Inches)					
HT	WIDTH				
	8	10	12	14	
2		X	X	X	
4	X	X	X	X	
6		X	X	X	

Floor Register (1FL- LF)

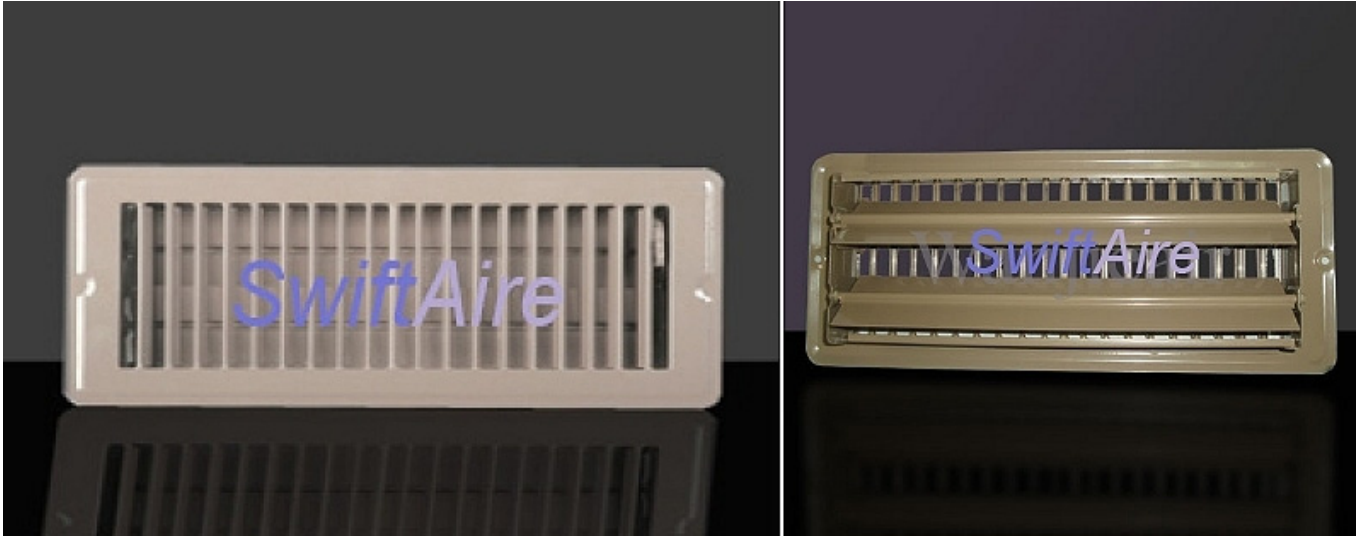


Features:

1.) For floor application
2.) All steel construction
3.) Heavy gauge stamped face and welded construction
4.) Low frame configuration
5.) White or bright brown powder-coating finish
6.) Other Colors (Need Two More Weeks For Production)

Floor Register Available Size (Inches)					
HT	WIDTH				
	8	10	12	14	
2		X	X	X	
4	X	X	X	X	
6		X	X	X	

Packing Details



4 Way Curve Blade / Sidewall Register (4CB-B)

Item #	Size (Inch)	Carton Size (L X W X H cm)	Volume (cbm)	Pcs Per Carton	N.W. (Kg)	G.W. (Kg)
1FL0210BR	2 X 10	43.5 X 21 X 31	0.028	30	7.5	8
1FL0212BR	2 X 12	43.5 X 21 X 36	0.033	20	7.8	8.5
1FL0214BR	2 X 14	43.5 X 21 X 41	0.037	20	8.8	9.6
1FL0408BR	4 X 8	43.5 X 30 X 26	0.034	30	15	16
1FL0410BR	4 X 10	43.5 X 30 X 31	0.040	30	15	16
1FL0412BR	4 X 12	43.5 X 30 X 36	0.047	30	18	19.5
1FL0414BR	4 X 14	43.5 X 30 X 41	0.054	20	11	12
1FL0610BR	6 X 10	43.5 X 40 X 31	0.054	20	13	14
1FL0612BR	6 X 12	43.5 X 40 X 36	0.063	20	15	16
1FL0614BR	6 X 14	43.5 X 40 X 41	0.071	20	17	18.5