

2"TPR Caster



2"TPR caster



2"PP caster

1. Wheel : 50mm x 20 mm , Wheel Optional : **PU, TPR ,Rubber ,PP ,Nylon**
2. Double ball race swivel yoke, Side break ,Zinc-plated finish standard*
3. Top plate: 2 mm (50mmx50mm)
4. Bolt Hole Spacing : 6.5mm@38mm x 38mm
5. Height : 66 mm.
6. Load: 30 kg *plate, U (3/8" x 3/4"-I)(8mm)threaded stem

ITEM.	FOB Price (\$US)	NO.
2" TPR plate swivel		278TPRA01
2" TPR plate swivel with side break		278TPRA02
2" TPR thread stem (3/8"X3/4")		278TPRA03
2" TPRthread stem with side break (3/8"x3/4")		278TPRA04
2" TPR Rigid		278TPRA05

3x1 PVC Caster



3x1 PVC Caster

1. Wheel : 3" x 1" PVC ,Rubber ,PP
2. Double ball race swivel yoke, Side break,Zinc-plated finish standard
3. Top plate: 2 mm (60mm x 73mm)
4. Bolt Hole Spacing : 8mm@46mm x 60mm
5. Height : 96 mm.
6. Load: 40 kg *plate, U 3/8" x 1-1/4"-I threaded stem

ITEM.	Price FOB Taiwan	NO.
3" x 1" PVC plate swivel		310PVCA01
3" x 1" PVC plate swivel with side break		310PVCA02
3" x 1"PVC thread stem (3/8"X1-1/4")		310PVCA03
3"x1"PVC thread stem with side break (3/8"X1-1/4")		310PVCA04

2.5" PU Caster



1. Wheel : 62mm x 30 mm ,Tire- PU, Ball bearing 608 , or Tire-TPR
2. Double ballrace swivel yoke, Zinc-plated finish standard,Total Break
3. Top plate: 3 mm (58mmx70mm) Height : 89 mm Load: 65 kg

Item.	FOB Price (\$US)	NO.
2.5." PU plate swivel		253PPUA01
2.5" PU plate swivel with total break		253PPUA02
2.5" PU Rigid		253PPU-R
2.5" PU thread stem (3/8"X1")		253PPUA03
2.5" PU thread stem with total break (3/8"x1")		253PPUA04
2.5" PU thread stem (1/2"X1")		253PPUA05
2.5" PU thread stem with total break (1/2"x1")		253PPUA06

3" TPR caster (include ball bearing 6200)



1. Wheel : 3" x 1" Tire- TPR, Ball bearing #6200
2. Double ballrace swivel yoke, Zinc-plated finish standard,Total Break
3. Top plate: 2 mm (60mm x 73mm) OR 3 mm (58mmx70mm)
4. Bolt Hole Spacing : 8mm@46mm x 57mm
5. Height : 104 mm.
6. Load : 65 kg /PCS *plate, U 3/8" x 1"-I or U 1/2" x 1"-I threaded stem

Item.	FOB Price (\$US)	NO.
3"x 1" TPR plate swivel		310TPRA01
3"x 1" TPR plate swivel with total break		310TPRA02
3"x 1" TPR thread stem (3/8"X1")		310TPRA03
3"x 1" TPR thread stem with total break (3/8"x1")		310TPRA04
3"x 1" TPR thread stem (1/2"X1")		310TPRA05
3"x 1" TPR thread stem with total break (1/2"x1")		310TPRA06

3"X1"PU caster (include ball bearing 6200)



1. Wheel : 3" x 1" Tire- PU, Ball bearing #6200
2. Double ballrace swivel yoke, Zinc-plated finish standard, Total Break
3. Top plate: 2 mm (60mm x 73mm) OR 3 mm (58mmx70mm)
4. Bolt Hole Spacing : 8mm@46mm x 57mm
5. Height : 104 mm.
6. Load : 65 kg/PCS *plate, U 3/8" x 1"-I or U 1/2" x 1"-I threaded stem

Item.	FOB Price (\$US)	NO.
3"x 1" PU plate swivel		310PUA01
3"x 1" PU plate swivel with total break		310PUA02
3"x 1" PU thread stem (3/8"X1")		310PUA03
3"x 1" PU thread stem with total break (3/8"x1")		310PUA04
3"x 1" PU thread stem (1/2"X1")		310PUA05
3"x 1" PU thread stem with total break (1/2"x1")		310PUA06

3"PVC caster OR Hard Rubber



1. Wheel : 3" x 1" Tire- TPR, no Bearing, OR (Hard Rubber)
2. Double ballrace swivel yoke, Zinc-plated finish standard, Total Break
3. Top plate: 2 mm (60mm x 73mm) OR 3 mm (58mmx70mm)
4. Bolt Hole Spacing : 8mm@46mm x 57mm
5. Height : 104 mm.
6. Load : 65 kg/PCS *plate, U 3/8" x 1"-I or U 1/2" x 1"-I threaded stem

Item.	FOB Price (\$US)	NO.
3"PVC plate swivel		310PVCB01
3"PVC plate swivel with total break		310PVCB02
3"PVC thread stem (3/8"X1")		310PVCB03
3"PVC thread stem with total break (3/8"x1")		310PVCB04
3"PVC thread stem (1/2"X1")		310PVCB05
3"PVC thread stem with total break (1/2"x1")		310PVCB06

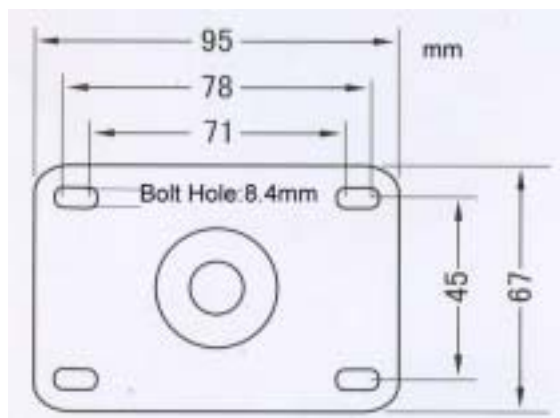
314" PU Caster



314TPR caster



1. Wheel : 3" x 1-1/4" Tire- PU OR TPR , Bearings,
2. Double ballrace swivel yoke, Zinc-plated finish standard, Total Break, Side Break
3. Top plate: 3 mm (67mmx 95mm) . Height : 110 mm. Load : 80 kg/PCS



Item.	FOB Price (\$US)	NO.
314 PU plate swivel		6-314PUA01
314 PU plate swivel with Total break		6-314PUA02-TB
314 PU plate swivel with Side break		6-314PUA03-SB
314 PU Rigid		6-314PUA04
314 PU thread stem (1/2"x1")		6-314PUA05
314 PU thread stem with total break (1/2"x1")		6-314PUA06-TB
314 PU thread stem with Side break (1/2"x1")		6-314PUA07-SB
314 TPR plate swivel		6-314TPRA01
314 TPR plate swivel with Total break		6-314TPRA02-TB
314 TPR plate swivel with Side break		6-314TPRA03-SB
314 TPR Rigid		6-314TPRA04
314 TPR thread stem (1/2"x1")		6-314TPRA05
314 TPR thread stem w/ total break (1/2"x1")		6-314TPRA06-TB
314 TPR thread stem w/ Side break (1/2"x1")		6-314TPRA07-SB

314 PP Caster



1. Wheel : 3" x 1-1/4" PP, or Hard Rubber
2. Double ballrace swivel yoke, Zinc-plated finish standard, Total Break, Side Break
3. Top plate: 3 mm (67mmx95mm)
4. Bolt Hole Spacing : 8.4mm@44mm x 75mm
5. Height : 110 mm.
6. Load : 80 kg/PCS *plate, U 1/2" x 1"-I threaded stem

Item.	FOB Price (\$US)	NO.
314 PP plate swivel		6-314PPA01
314 PP plate swivel with Total break		6-314PPA02-TB
314 PP plate swivel with Side break		6-314PPA03-SB
314 PP Rigid		6-314PPA04
314 PP thread stem (1/2"x1")		6-314PPA05
314 PP thread stem with total break (1/2"x1")		6-314PPA06-TB
314 PP thread stem with Side break (1/2"x1")		6-314PPA07-SB

414 PU Caster



1. Wheel: 4" x 1-1/4" Tire- PU, Bearing,
2. Double ballrace swivel yoke, Zinc-plated finish standard, Total Break, Side Break
3. Top plate: 3 mm (67mmx 95mm)
4. Bolt Hole Spacing : 8.4mm@44mm x 75mm
5. Height : 137 mm.
6. Load : 90 kg /PCS *plate, U 1/2" x 1"-I threaded stem.

Item.	FOB Price (\$US)	NO.
414 PU plate swivel		6-414PUA01
414 PU plate swivel with Total break		6-414PUA02-TB
414 PU Rigid		6-414PUA04
414 PU thread stem (1/2"x1-1/8")		6-414PUA05
414 PU thread stem with total break (1/2"x1-1/8")		6-414PUA06-TB
414 PU thread stem (5/8"x1-1/8")		6-414PUA07
414 PU thread stem with total break (5/8"x1-1/8")		6-414PUA08-TB

414 TPR Caster



1. Wheel : 4" x 1-1/4" Tire- TPR, Bearing.
2. Double ballrace swivel yoke, Zinc-plated finish standard, Total Break, Side Break
3. Top plate: 3 mm (67mmx 95mm)
4. Bolt Hole Spacing : 8.4mm@44mm x 75mm
5. Height : 137 mm.
6. Load : 90 kg/PCS *plate, U 1/2" x 1"-I threaded stem

Item.	FOB Price (\$US)	NO.
414 TPR plate swivel		6-414TPRA01
414 TPR plate swivel with Total break		6-414TPRA02-TB
414 TPR Rigid		6-414TPRA04
414 TPR thread stem (1/2"X1-1/8")		6-414TPRA05
414 TPR thread stem with total break (1/2"x1-1/8")		6-414TPRA06-TB
414 TPR thread stem (5/8"X1-1/8")		6-414TPRA07
414 TPR thread stem w/ total break (5/8"x1-1/8")		6-414TPRA08-TB

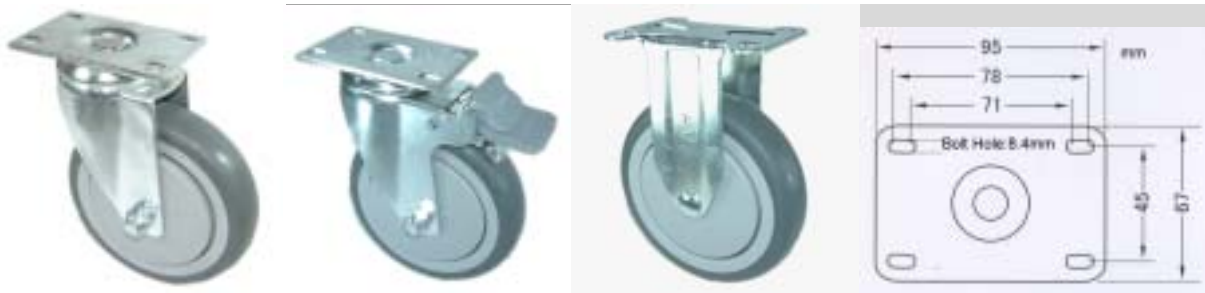
514 PU Caster



1. Wheel : 5" x 1-1/4" Tire- PU, 2 Bearings,
2. Double ballrace swivel yoke, Zinc-plated finish standard, Total Break, Side Break
3. Top plate: 3 mm (67mmx 95mm)
4. Bolt Hole Spacing : 8.4mm@44mm x 75mm
5. Height : 161 mm.
6. Load : 100 kg/PCS *plate, U 1/2" x 1"-I threaded stem.

Item.	FOB Price (\$US)	NO.
514 PU plate swivel		6-514PUA01
514 PU plate swivel with Total break		6-514PUA02-TB
514 PU Rigid		6-514PUA04
514 PU thread stem (1/2"X1-1/8")		6-514PUA05
514 PU thread stem with total break (1/2"x1-1/8")		6-514PUA06-TB
514 PU thread stem (5/8"X1-1/8")		6-514PUA07
514 PU thread stem with total break (5/8"x1-1/8")		6-514PUA08-TB

514 TPR Caster



1. Wheel : 5" x 1-1/4" Tire- TPR, Bearing. Or High TPR
2. Double ballrace swivel yoke, Zinc-plated finish standard, Total Break, Side Break
3. Top plate: 3 mm (58mmx70mm)
4. Bolt Hole Spacing : 8.5mm@44mm x 75mm
5. Height : 161 mm.
6. Load : 100 kg *plate, U 1/2" x 1"-I threaded stem

Item.	FOB Price (\$US)	NO.
514 TPR plate swivel		6-514TPRA01
514 TPR plate swivel with Total break		6-514TPRA02-TB
514 TPR Rigid		6-514TPRA04
514 TPR thread stem (1/2"x1-1/8")		6-514TPRA05
514 TPR thread stem with total break (1/2"x1-1/8")		6-514TPRA06-TB
514 TPR thread stem (5/8"x1-1/8")		6-514PUA07
514 TPR thread stem with total break (5/8"x1-1/8")		6-514PUA08-TB

3X2 Machine Caster



Ball Bearing#6201

1. Wheel : 76 mm x 48 mm , PP OR High Temperature NYLON
2. Double ballrace swivel yoke, Quenched, Zinc-plated finish standard, Ball Bearing#6201
3. Top plate: 4mm (80mm x 105mm)
4. Bolt holes Spacing: 9mm@59mm x 81mm (2-3/8" x 3-1/3")
5. Height : 103 mm
6. Load : 250 kg /PCS

Item.	FOB Price (\$US)	NO.
3 x 2 Machine caster Swivel		320PPA01
3 x 2 Machine caster Swivel W/brake		320PPA02
3 x 2 Machine caster Rigid		320PPA03

4 x 1 PU Caster



1. Wheel : 4"x1" ,4" x 1-1/4" Tire- PU,TPR, Bearing. Or High TPR
2. Double ballrace swivel yoke, Zinc-plated finish standard, Total Break
3. Top plate: 3 mm (75mm x 93mm)
4. Bolt Hole Spacing : 10mm@53mm x 72mm
5. Height : 125 mm.
6. Load : 65 kg *plate, U 1/2" x 1"-I threaded stem

Item	FOB Price (\$US)	NO.
4" x 1 " PU caster - plate swivel		410PPUA01
4" x 1 " PU caster - plate swivel with total break		410PPUA02
4" x 1" PU caster - thread stem (1/2"x1")		410PPUA03
4" x 1" PU caster - thread stem with total break (1/2"X1")		410PPUA04
4" x 1" PU caster - thread stem (3/8"x1")		410PPUA05
4" x 1" PU caster - thread stem with total break (3/8"X1")		410PPUA06

4" Rubber caster



1. Wheel : 4"x1" , Rubber
2. Double ballrace swivel yoke, Zinc-plated finish standard, Total Break
3. Top plate: 2.5 mm (75mm x 93mm)
4. Bolt Hole Spacing : 10mm@53mm x 72mm
5. Height : 132 mm.
6. Load : 65 kg *plate, U 1/2" x 1"-I threaded stem

Item.	FOB Price (\$US)	NO.
4" Rubber Caster - plate swivel		4A0NBRA01
4" Rubber Caster - plate swivel with total break		4A0NBRA02
4" Rubber Caster - rigid		4A0NBRA05
4" Rubber Caster - thread stem (1/2"X1-1/8")		4A0NBRA03
4" Rubber Caster - thread stem with total break (1/2"X1-1/8")		4A0NBRA04

5 TPR-28 Hospital Bed Caster



1. Wheel : 126 mm x 31 mm (5"x1-1/4")Tire- TPR, Ball bearing ,high TPR
2. Round: 28mm
3. Total locking caster (Double break) *Zinc-plated finish standard
4. Double ballrace swivel yoke
5. Load : 100 kg

Item.	FOB Price (\$US)	NO.
5" TPR-28 swivel		514TPR-28-1
5" TPR -28 swivel with Total break		514TPR-28-2

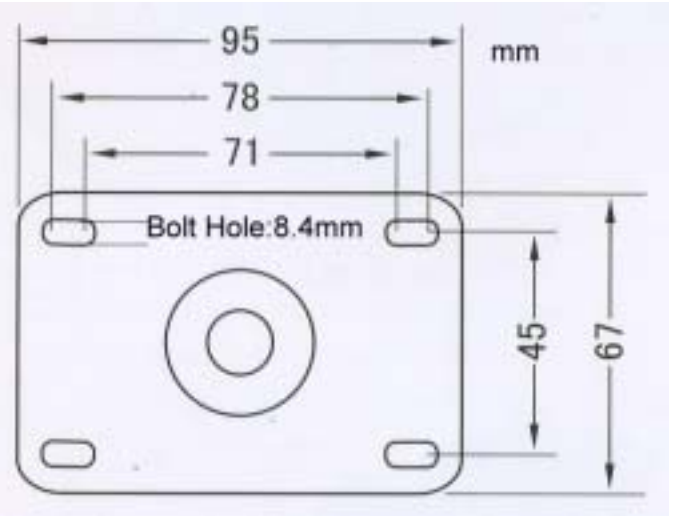
5 TPR-21.5mm Square Caster



1. Wheel : Tire- TPR, Ball bearing or No bearing ,Wheel 126 mm x 30 mm (5"x1-1/4")
2. Square : 21.5mm (high : 47mm @7mm)
3. Total locking caster (Double break) *Zinc-plated finish standard
4. Double ballrace swivel yoke
5. Load : 100 kg

Item.	FOB Price (\$US)	NO.
5"TPR-21.5 Square swivel (NO bearing)		H-577-40-1
5"TPR-21.5 Square swivel with Total break (No bearing)		H-577-40-2
5"TPR-21.5 Square swivel		H-577-40-3
5"TPR-21.5 Square swivel with Total break		H-577-40-4

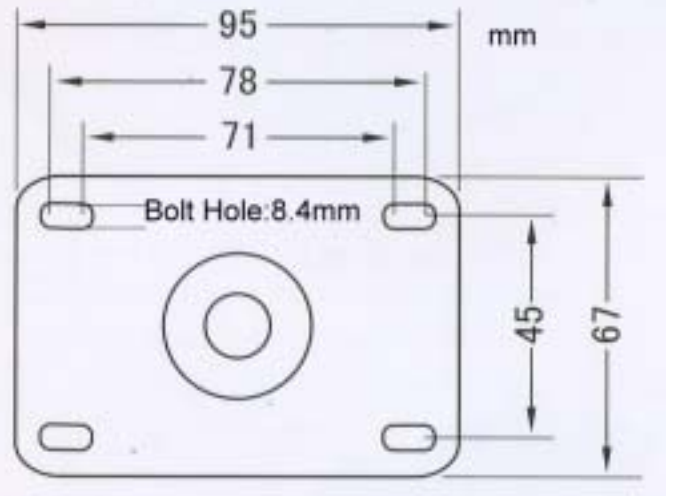
2"x2" Nylon caster



Item.	FOB Price (\$US)	NO.
2 x 2 Nylon Swivel – Plate		YH-220-NL-P
2 x 2 Nylon Swivel -Stem		YH-220-NL-S

1. Wheel : NYLON, NO Ball bearing , Wheel : 50mm x 21 mm (2PCS)
2. Quenched, Dust-proof, Zinc-plated finish standard, Double ballrace swivel yoke
3. Load : 150 kg /PCS

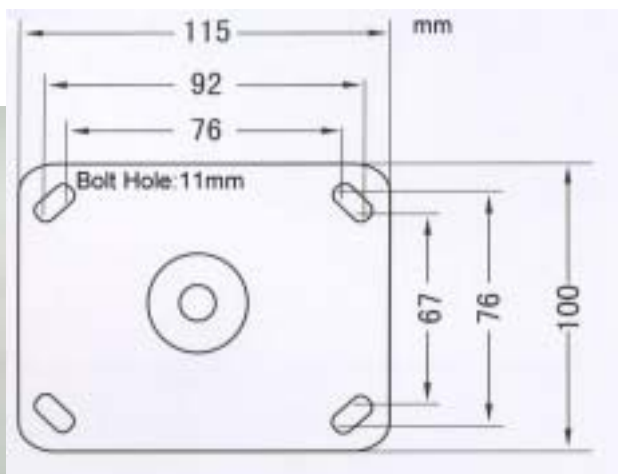
2"x2" TPR caster



1. Wheel : TPR, Ball bearing (4 PCS), Wheel : 50mm x 21 mm (2PCS)
2. Quenched, Dust-proof ,Zinc-plated finish standard, Double ballrace, swivel yoke
3. Load : 150 kg /PCS

Item.	FOB Price (\$US)	NO.
2 x 2 TPR Swivel –Plate		YH-220-TPR-P
2 x 2 TPR Swivel -Stem		YH-220-HTPR

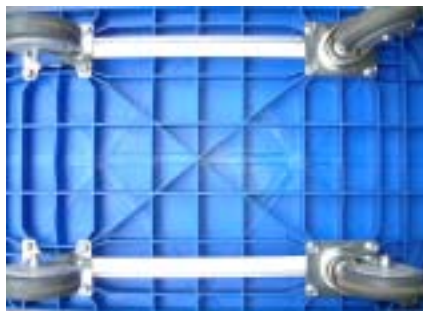
4x2 , 5x2 , 6x2 , 8x2 PU Heavy Duty caster



1. Wheel : Tire- PU, Roller bearing (Tire: PP, Nylon, TPR, Rubber)
2. Wheel Size : (4'' x 2'') , (5'' x 2'') , (6'' x 2'') , (8'' x 2'')
3. Double ballrace swivel yoke, Zinc-plated finish standard, Side break
4. Top plate : 6 mm (101mm x 116mm)
5. Bolt hoel Spacing : 11.5mm@ 67mm x 92mm slotted 76.2mm x 76.2mm
6. Mounting bolt Diameter: 11.5mm
7. Load: 4''-250 kg ,5''-300 kg ,6''-350kg ,8''-400kg

Item.	Height	FOB Price (\$US)	NO.
4 x 2 PU swivel	143mm		420PPUA01
4 x 2 PU swivel with Side break	(5-5/8'')		420PPUA02
4 x 2 PU rigid			420PPUA03
5 x 2 PU swivel	165mm		520PPUA01
5 x 2 PU swivel with Side break	(6-1/2'')		520PPUA02
5 x 2 PU rigid			520PPUA03
6 x 2 PU swivel	190mm		620PPUA01
6 x 2 PU swivel with Side break	(7-1/2'')		620PPUA02
6 x 2 PU rigid			620PPUA03
8 x 2 PU swivel	241mm		820PPUA01
8 x 2 PU swivel with Side break	(9-1/2'')		820PPUA02
8 x 2 PU rigid			820PPUA03

Plastic Hand Cart



THE CART IS GREEN COLOR NOW

1. Wheel : Tire- PU or TPR, Ball bearing or No bearing
2. Wheel Size : 4" -101 mm x 31 mm (4"x1-1/4") 5" -126 mm x 30 mm (5"x1-1/4")
3. Cart size : 40cmX60cm , 48cmX73cm, 51cmX81cm
4. Load : 150 kg (340 lbs.)

Item.	FOB Price (\$US)	NO.
40-60 hand cart-4"TPR		4060-4-TPR-1
48-73 hand cart-5"TPR		4873-5-TPR-1
48-73 hand cart-5"TPR (no bearing)		4873-5-TPR-2
51-81 hand cart-5"TPR		5181-5-TPR-1
51-81 hand cart-5"TPR (no bearing)		5181-5-TPR-2

C-514 TPR Caster



1. Wheel : (4" x 1-1/4") (5"x1-1/4") Tire- TPR,PU, High TPR ,
2. Double ballrace swivel yoke, Zinc-plated finish standard
3. TPR-Ball bearing or No Ball bearing
4. Top plate: 3 mm (85mmx110mm)
5. Bolt Hole Spacing : 11mm@66mm x 88mm
6. Load : 90 kg

Item.	FOB Price (\$US)	NO.
C-414 TPR swivel		414TPR-C01
C-414 TPR rigid		414TPR-C02
C-414 PU swivel		414PU-C01
C-414 PU rigid		414PU-C02
C-514 TPR swivel		514TPR-C01
C-514 TPR rigid		514TPR-C02
C-514 PU swivel		514PU-C01
C-514 PU rigid		514PU-C02

40mm / 50mm Ball Caster



1. Wheel : PP
2. Wheel size : 40mm and 50 mm Load : 20 kg
3. High : : 55 mm(40mm Ball caster) 63mm (50mm Ball caster)

ITEM.	FOB Price (\$US)	NO.
40mm Ball caster- plate swivel		40B-1
40mm Ball caster- thread stem (3/8"X19mm)		40B-2
50mm Ball caster- plate swivel		50B-1
50mm Ball caster- thread stem (3/8"X19mm)		50B-2

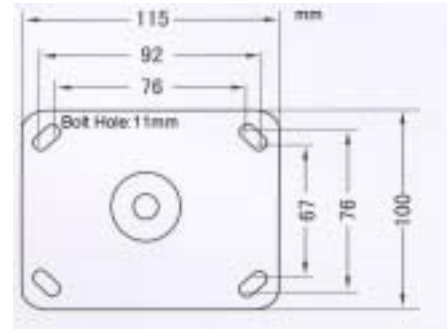
40mm / 50mm Furniture Caster



1. Wheel : nylon.
2. Size : Wheel 40mm / 50mm Load : 15 kg
3. High : 55 mm(40mm caster) /67mm (50mm caster)
4. Plate : 2 mm (38mm x 38mm) /thread stem : 3/8,5/16,M8

ITEM.	FOB Price (\$US)	NO.
40mm plate swivel		F40-01
40mm plate swivel with break		F40-02
40mm thread stem (3/8")		F40-03
40mm thread stem with break (3/8")		F40-04
40mm thread stem (5/16")		F40-05
40mm thread stem with break (5/16")		F40-06
40mm thread stem (M8)		F40-07
40mm thread stem with break (M8)		F40-08
50mm plate swivel		F50-01
50mm plate swivel with break		F50-02
50mm thread stem (3/8")		F50-03
50mm thread stem with break (3/8")		F50-04
50mm thread stem (5/16")		F50-05
50mm thread stem with break (5/16")		F50-06
50mm thread stem (M8)		F50-07
50mm thread stem with break (M8)		F50-08

150 X 40 Rubber Heavy Caster



1. Wheel : 150mm x 40mm Tire: hard rubber Corn: iron
2. Double ballrace swivel yoke, Zinc-plated finish standard, Side break
3. Top plate : 6 mm (101mm x 116mm)
4. Bolt hoel Spacing : 11.5mm@ 67mm x 92mm slotted 76.2mm x 76.2mm
5. Load : 350kg
6. 2 Ball Bearings

Rubber heavy caster

ITEM	Total Height	FOB Price (\$US)	NO
615 JRR swivel	190mm (7-1/2")		615JR-1
615 JRR swivel w/ side break			615JR-2
615 JRR Rigid			615JR-3

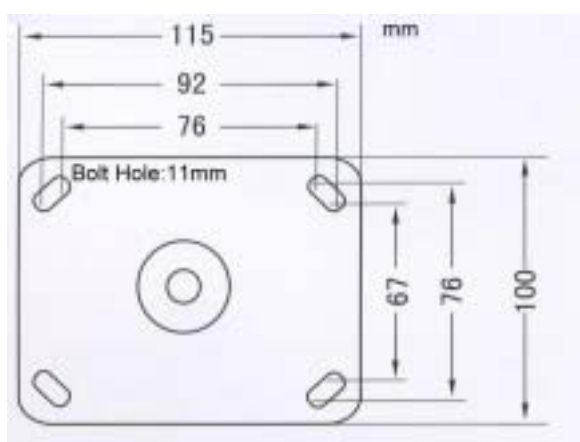
4", 5" Rubber Caster (Caster of Steel Folding Handle Platform Trucks)



1. Wheel : (4"x1" hard rubber) (5"x1-1/4" Tire-TPR ,Core-PP) no Bearing
2. Double ballrace swivel yoke, Zinc-plated finish standard, Side break
3. Top Plate : 2.5 mm (62mm x 102mm)
4. Bolt Hole Spacing : 9.5mm@40mm x 81mm
5. Load : 70kg / PCS

Item.	Total High	FOB Price (\$US)	NO.
C62-4" Rubber swivel	121mm (4-2/4")		C62-410RR-1
C62-4" Rubber rigid			C62-410RR-2
C62-5" TPR swivel	152mm (6")		C62-514TPR-1
C62-5" TPR rigid			C62-514TPR-2

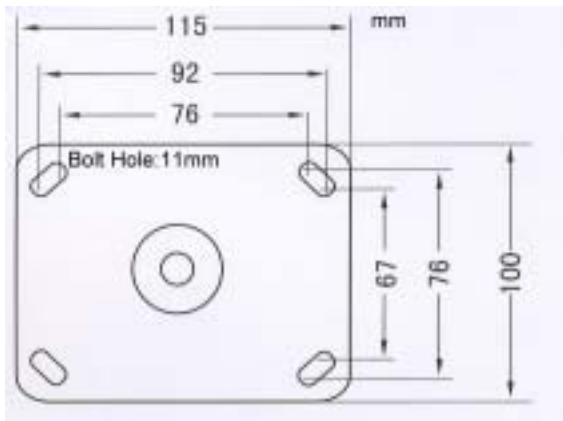
5x2 , 6x2, 8x2 TPR Heavy Duty caster



1. Wheel : Tire- TPR, Roller bearing OR Ball Bearing
2. Wheel Size : (5" x 2"), (6" x 2"), (8" x 2")
3. Double ballrace swivel yoke, Zinc-plated finish standard, Side break
4. Top plate : 6 mm (101mm x 116mm)
5. Bolt hoel Spacing : 11mm@ 67mm x 92mm slotted 76.2mm x 76.2mm
6. Mounting bolt Diameter: 11.5mm
7. Load: 5"-300 kg ,6"-350kg ,8"-400kg

Item.	Height	FOB Price (\$US)	NO.
5 x 2 TPR swivel	165mm		520TPRA01
5 x 2 TPR swivel with Side break	(6-1/2")		520TPRA02
5 x 2 TPR rigid			520TPRA03
6 x 2 TPR swivel	190mm		620TPRA01
6 x 2 TPR swivel with Side break	(7-1/2")		620TPRA02
6 x 2 TPR rigid			620TPRA03
8 x 2 TPR swivel	241mm		820TPRA01
8 x 2 TPR swivel with Side break	(9-1/2")		820TPRA02
8 x 2 TPR rigid			820TPRA03

4x2, 5x2, 6x2, 8x2 Hard Rubber Heavy Caster



1. Wheel : Tire: hard rubber Corn: iron ,Bearing : Roller
2. Double ballrace swivel yoke, Zinc-plated finish standard, Side break
3. Top plate : 6 mm (101mm x 116mm)
4. Bolt hoel Spacing : 11.5mm@ 67mm x 92mm slotted 76.2mm x 76.2mm
5. Mounting bolt Diameter: 11.5mm
6. Load : (4"x2" 350 kg) (5"x2" 400 KG) (6"x2" 450kg) (8"x2" 450kg)

Hard Rubber heavy caster

ITEM	Height	FOB Price (\$US)	NO
4X2 HR swivel	143mm		420HRA01
4X2 HR swivel w/ side break	(5-5/8")		420HRA02
4X2 HR Rigid			420HRA03
5X2 HR swivel	165mm		520HRA01
5X2 HR swivel w/ side break	(6-1/2")		520HRA02
5X2 HR Rigid			520HRA03
6X2 HR swivel	190mm		620HRA01
6X2 HR swivel w/ side break	(7-1/2")		620HRA02
6X2 HR Rigid			620HRA03
8X2 HR swivel	241mm		820HRA01
8X2 HR swivel w/ side break	(9-1/2")		820HRA02
8X2 HR Rigid			820HRA03

4"x1" Hard Rubber caster



4. Wheel : 4"x1" Hard Rubber
5. Double ballrace swivel yoke, Zinc-plated finish standard, Total Break
6. Top plate: 3 mm (75mm x 93mm)
4. Bolt Hole Spacing : 10mm@53mm x 72mm
5. Height : 125 mm.
6. Load : 65 kg

ITEM	FOB Price (\$US)	NO
4"x 1" Hard Rubber - Plate swivel		410HRA01
4"x 1" Hard Rubber -Plate swivel w/ Total break		410HRA02
4"x 1" Hard Rubber - thread stem (1/2"x1")		410HRA03
4"x 1" Hard Rubber - thread stem (1/2"X1")w/ total break		410HRA04
4"x 1" Hard Rubber - thread stem (3/8"x1")		410HRA05
4"x 1" Hard Rubber - thread stem (3/8"X1")w/ total break		410HRA06



3x1,4x1

Hard Rubber WHEEL

NO.	Wheel Diameter	Wheel Tread Width	Bore Diameter	Capacity (LBS/KG)	Bearing Style
310HR	3 (76.2mm)	1 (25mm)	5/16 (8mm)	133/60	No
410HR	4 (101mm)			175/80	
314HR	3 (76.2mm)	1-1/4 (30mm)	3/8 (9.7mm)	177/80	No
314HR-Bearing	3 (76.2mm)			222/100	Ball Bearing
414HR	4 (101mm)			200/90	No
514HR	5 (127mm)	222/100			
420PU	3 (76.2mm)	2 (50mm)	1-3/16 (13mm)	700/320	Roller
520PU	4 (101mm)			840/380	
620PU	5 (127mm)			900/410	
820PU	8 (200mm)			1000/454	

PU WHEEL -MOLD ON Polyurethane WITH POLYPROPYLENE CORE WHEELS



Feature :

- **It provides excellent physical properties.**
- Polyurethane treads, 90-95 shore (A) durometer mechanically bonded to a polyolefin core
- **Good weather resistance.**
- **Long life and low maintenance are ideal for heavy duty applications.**
- **Outstanding wear-resistance, eliminating flat-spotting and wheel thump problems.**
- **superior impact strength.**
- **excellent on all rolling surfaces.**

Wheel Number	Wheel Diameter	Tread Width	HUB Length	Axle Diameter	Capacity	Bearing Style
278PUP	2	7/8	1-5/16	1/4	100	plain
250PUB	2.5	1-3/16	1-3/16	5/16	225	Ball Bearing
310PUB	3	1	1-5/16	5/16	180	
314PUB	3	1-1/4	1-9/16	5/16&3/8	250	Ball Bearing
354PUB	3.5				250	
414PUB	4				300	
514PUB	5				300	
514PUS	5				300	SLEEVE
420PUR	4	2	2-3/16	1-3/16	700	Roller
520PUR	5				750	
620PUR	6				900	
820PUR	8				950	
420PUB	4	2	2-3/16	1-3/16	700	Ball Bearing
520PUB	5				750	
620PUB	6				900	
820PUB	8				950	

**TPR WHEEL –
MOLD ON TPR(Thermo Plastic Rubber) WITH POLYPROPYLENE CORE
WHEELS**



Feature :

- **Absorbing vibration and noise.**
- TPR treads, 85~80 shore (A) High class TPR treads,65~70 shore (A) durometer mechanically bonded to a polyolefin core
- **Good resistant to various chemical and liquids.**
- **light weight.**
- **Outstanding wear-resistance: Non-marking**
- **High abrasion.**
- **Highly resistant to oil, grease, water and most solvents**
- **Grey non-marking thermoplastic rubber treads**

Wheel Number	Wheel Diameter	Tread Width	HUB Length	Axle Diameter	Capacity (LBS/KG)	Bearing Style
278PRP	2	7/8	1-5/16	1/4	55 / 25	plain
278PRB	2	7/8	1-5/16	1/4	55 / 25	Ball Bearing
250PRB	2.5	1-3/16	1-3/16	5/16	110 / 50	Ball Bearing
310PRB	3	1	1-5/16	5/16	110 / 50	
314PRB	3	1-1/4	1-9/16	5/16&3/8	155 / 70	Ball Bearing
354PRB	3.5				170 / 76	
414PRB	4				190 / 85	
514PRB	5				200 / 90	
514PRS	5				200 / 90	SLEEVE
420PRR	4	2	2-3/16	1-3/16	450 / 200	Roller
520PRR	5				500 / 225	
520PRB						
620PRR	6				550 / 250	OR
620PRB						
820PRR	8				600 / 270	Ball Bearing
820PRB						

Nylon Wheels

- **Black and White color are available.**
- Good resistance to most chemical, **abrasion resistant.**
- It can be used in wet conditions
- Nylon can be used form -30 ° C (-22F) up to 90 ° C (194F)



unit:inch

Wheel Number	Wheel Diameter	Tread Width	HUB Length	Axle Diameter	Capacity (ibs / kgs)	Bearing Style
278NL	2	7/8	1-5/16	1/4	70 / 30	plain
250NL	2.5	1-3/16	1-3/16	5/16	100 / 45	
310NL	3	1	1-5/16	5/16	100 / 45	
314NL	3	1-1/4	1-9/16	5/16&3/8	250 / 110	plain
354NL	3.5				270 / 120	
414NL	4				300 / 135	
514NL	5				350 / 157	
420NLR	4	2	2-3/16	1-3/16	450 / 200	Roller
520NLR	5				660 / 300	
620NLR	6				750 / 337	
820NLR	8				1000 / 454	
520NLB	5				660 / 300	Ball Bearing
620NLB	6				750 / 337	
820NLB	8				1000 / 454	

PP Wheel - POLYPROPYLENE ,polyolefin



- **Black and White color are available.**
- **light weight.**
- **Wheels Size : 314,414,514,420,520,620,820**
- **Economical**
- **Excellent chemical resistance to water and chemical**

(5" x 2"), (6" x 2"), (8" x 2") NYLON HEAVY CASTER



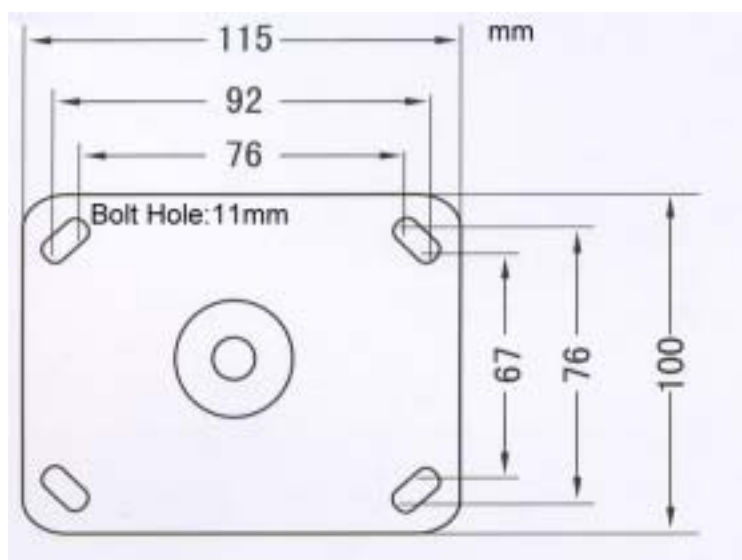
Wheel : Tire- PU, Roller bearing (Tire: PP, Nylon, TPR, Rubber)

1.Wheel Size :, (5" x 2"), (6" x 2"), (8" x 2")

2.Double ballrace swivel yoke, Zinc-plated finish standard, Side break

3.Top plate : 6 mm (101mm x 116mm)

4. Load: ,5"-300 kg ,6"-350kg ,8"-400kg



Item.	Height	FOB Price (\$US)	NO.
5 x 2 NYL swivel	165mm		520NLA01
5 x 2 NYL swivel with Side break	(6-1/2")		520NLA02
5 x 2 NYL rigid			520NLA03
6 x 2 NYL swivel	190mm		620NLA01
6 x 2 NYL swivel with Side break	(7-1/2")		620NLA02
6 x 2 NYL rigid			620NLA03
8 x 2 NYL swivel	241mm		820NLA01
8 x 2 NYL swivel with Side break	(9-1/2")		820NLA02
8 x 2 NYL rigid			820NLA03

3823 Elastic TPR Caster



7. Wheel Size : 38mm x 23 mm ,Elastic TPR (Double Ball Bearings) ,Tread Hardness: Share A 65
8. Mounting Swivel Plate Size:1-3/4" x1-3/4"x 2 mm / Stem Size: 3/8" / Length : 3/4"
9. Rigid Mounting Plate Size : 2" x 2"x 2mm /Bolt Hole Spacing : 1-1/2" x 1-1/2"
10. Bolt Hole Spacing : 1-1/4" x 1-1/4" x 2mm /Mounting Bolt Diameter = 1/4"
11. Over all Height : 2-3/8" Capacity: 80 lbs/PCS

ITEM	Price	NO :
38x23 Elastic TPR Plate Swivel		3823TPRA01
38x23 Elastic TPR Plate Swivel w/Total Lock		3823TPRA02
38x23 Elastic TPR Plate Stem		3823TPRA03
38x23 Elastic TPR Plate Stem w/Total Lock		3823TPRA04
38x23 Elastic TPR Rigid		3823TPRA05

5023 Elastic TPR Caster



1. Wheel Size : 50mm x 23 mm ,Elastic TPR (Double Ball Bearings) ,Tread Hardness: Share A 65
2. Mounting Plate Size: 2" x 2"x 2mm Stem Size: 3/8" / Length : 3/4"
3. Bolt Hole Spacing : 1-1/2" x 1-1/2" Mounting Bolt Diameter = 1/4"
4. Over all Height : 2-3/4". Capacity: 90 lbs /PCS
5. Wheel Options: Polyolefin-5020 / Elastic TPR-5020 (NO Ball Bearing) / Crystalloid PU

ITEM	PRICE	NO
50x23 Elastic TPR Plate Swivel		5023TPRA01
50x23 Elastic TPR Plate Swivel w/Total Lock		5023TPRA02
50x23 Elastic TPR Plate Stem		5023TPRA03
50x23 Elastic TPR Plate Stem w/Total Lock		5023TPRA04
50x23 Elastic TPR Rigid		5023TPRA05

2.5"- 62mm x 30mm ,3"x1" ,4"x1" Elastic TPR Caster



2.5"x30m

m



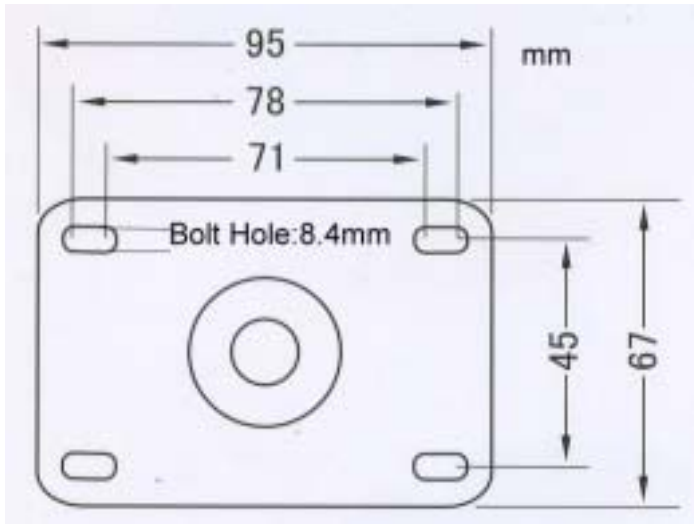
3"x1"

4"x1"

1. Wheel Size : (2.5" -62mm x30mm) (3"x1") (4" x 1")
2. Elastic TPR (Ball Bearings) ,Tread Hardness: Share A 65
3. Mounting Plate Size : 2-5/32" x 2-3/4" x 3 mm (70 mm x 58 mm x 3mm)
4. Bolt Hole Spacing : 1-21/32" x 2-5/32" (42mm x 55mm) /Mounting Bolt Diameter = 5/16"
5. Capacity: 2.5"-145 lbs/PCS / 3"-145 lbs/PCS / 4"-145 lbs/PCS
6. Wheel Options: PU(Polypropylene)/ ESD TPR
7. RIG : hollow , Threaded Stem (3/8",1/2",M12)

ITEM	Overall Height	FOB Taiwan \$USD	NO.
2.5."x 30mm TPR Plate Swivel	3-1/2" (89mm)		253TPRA01
2.5"x30mm TPR Plate Swivel w/Total break			253TPRA02
2.5" x30mm TPR Rigid			253TPR-R
2.5" TPR Thread stem (3/8"X1")			253TPRA03
2.5" TPR Thread stem w/Total break (3/8"x1")			253TPRA04
2.5" TPR Thread stem (1/2"X1")			253TPRA05
2.5" TPR Thread stem w/Total break (1/2"x1")			253TPRA06
3"x1" TPR Plate Swivel	4-1/8" (105mm)		310TPRA01
3"x1" TPR Plate Swivel w/Total break			310TPRA02
3"x1" TPR Rigid			310TPR-R
3"x1" TPR Thread stem (3/8"X1")			310TPRA03
3"x1" TPR Thread stem with total break (3/8"x1")			310TPRA04
3"x1" TPR Thread stem (1/2"-N12X1")			310TPRA05
3"x1" TPR Thread stem w/Total Lock (1/2"x1")			310TPRA06
4"x1" TPR Plate Swivel	5" (127mm)		410TPRA01
4"x1" TPR Plate Swivel w/Total break			410TPRA02
4"x1" TPR Rigid			410TPR-R

3x1-1/4" , 4-1-1/4" ,5-1-1/4" Elastic TPR Caster



- 7. Wheel Size : (3"x1-1/4") (4"x1-1/4") (5"x1-1/4"),
- 8. Elastic TPR (Ball Bearings) ,Tread Hardness: Share A 65
- 9. Mounting Plate Size : 2-5/8" x 3-3/4"x 3 mm (67 mm x 95 mm x 3mm)
- 10. Bolt Hole Spacing : 1-3/4" x 2-7/8" (45mm x 75mm) /Mounting Bolt Diameter = 5/16"
- 11. Overall Height : 3"-
- 12. Capacity: 3"-190 lbs / 4"-225 lbs / 5"-270 lbs
- 13. Wheel Options: PU(Polypropylene)/Polyolefin / ESD TPR
- 14. RIG : hollow 1/2" , Threaded Stem (1/2",5/8")

Item.	Overall Height	FOB Price (\$US)	NO.
314 TPR plate swivel	(4 -5/16")		6-314TPRA01
314 TPR plate swivel with Total break	110 mm		6-314TPRA02-TB
314 TPR Rigid			6-314TPRA03
414 TPR plate swivel	(5-3/8")		6-414TPRA01
414 TPR plate swivel with Total break	137mm		6-414TPRA02-TB
414 TPR Rigid			6-414TPRA03
514 TPR plate swivel	(6-5/16")		6-514TPRA01
514 TPR plate swivel with Total break	161mm		6-514TPRA02-TB
514 TPR Rigid			6-514TPRA03

5x2 , 6x2, 8x2 Elastic TPR Caster (Easy mobility)



1. Wheel Size : 5"x2"/6"x2"/8"x2",Elastic TPR (Double Ball Bearings) ,Tread Hardness: Share A 65
2. Mounting Swivel Plate Size :4-7/16" x 5-9/16"x 5 mm (113mm x 142mm x 5mm)
3. Bolt Hole Spacing : 3-1/32" x 4-13/32" (77mm x 112mm) /Mounting Bolt Diameter = 12mm
4. Capacity: 5"-380 lbs(173 kg) / 6"- 530 lbs (241 kg) / 8"- 600 lbs (273kg)

TPR Wheel is light weight, noise free, easy mobility, cost effective and long lasting.

This new caster has overcome the drawbacks of other wheels by offering new highly elastic TPR (elastic plastic Rubber) wheels. TPR material is hydrolysis resistance, it is also bacteria-free ,non marking, high abrasion, the hardness of TPR is Share A_65. It is guarantee to be the best available in the market that can replace both PU and regular caster. The new caster is now widely recognized and supported by hospitals, hotels and factories.

ITEM	Over Height	FOB Taiwan \$USD	NO.
5 x 2 TPR Caster Swivel	(6 -21/32")		520TPRB01
5 x 2 TPR Caster Swivel W/ Total Lock	169mm		520TPRB02
5 x 2 TPR Caster Rigid			520TPRB03
6 x 2 TPR Caster Swivel	(7-5/8")		620TPRB01
6 x 2 TPR Caster Swivel W/ Total Lock	194mm		620TPRB02
6 x 2 TPR Caster Rigid			620TPRB03
8 x 2 TPR Caster Swivel	(9-3/5"		820TPRB01
8 x 2 TPR Caster Swivel W/ Total Lock	244mm		820TPRB02
8 x 2 TPR Caster Rigid			820TPRB03