

15", 17", 19" SAW Touch Screen (The Dust-proof Water-proof Type) vc User Guide

Rev1.0



ShenZhen GreenTouch Technology Co., Ltd.

www.greetouch.com

May. 2010

◆ **Part 1. Technical Specification**

➤ **SAW touch screen panel technical specification**

Technology	Surface Acoustic Wave(SAW)	
Sizes	7" to 26" (extending)	
Controller Interface	USB OR RS232	
Resolution	4096*4096 ,Z-axis 256, not related with the sizes of the touch screen panel	
Material	Pure glass	
Positional Accuracy	Standard deviation of error is less than 0.080 in.(2mm)	
Light Transmission	More than 90% per ASTM	
Touch Activation Force	30-60g	
Durability	Scratch-free; More than 50,000,000 touches in one location without failure.	
Surface Hardness	Mohs' hardness rating of 7	
Operating Temperature	Touch Panel	-20°C to +60°C
Storage Temperature	Touch Panel	-40°C to +70°C
Humidity	10%-90% RH at 40°C, non-condensing	
Operation Altitude	3800m	
Accessories	Connector cables, double-sided glue, dust-proof stripes	
Agency Approval	CE, FCC, RoHS,	

➤ **Controller technical specification**

Sizes(PCB)	85mm*55mm*10mm	
Working voltage	12V±0.5V	
Working Current	80mA	
Maximum Current	100mA	
Response time	≤10ms	
Operating temperature	-10°C-70°C	
Operating humidity	10%-90%RH.	
Storage temperature	-25°C-80°C	
Multi-Point Touch	Intelligent discrimination by software	
Drivers Available	Windows 2000, Windows XP, Windows NT, Linux	
Agency Approval	CE, FCC, RoHS	

◆ **Part 2. Special Touch screen Products**

● **Dust-proof Touch screen(P Series)**

- compliant with IEC IP6X standards
- protect the reflective grating and transducers from the dust and other objects
- Excellent maintenance-free and durability
- Sealed well with Alloy-aluminium frame
- Applicable to the outdoor environment where in unsupervised or industrial environments

● **Water-proof Touch screen(W series)**

- Latest technology and design
- Super-thin glass sensor
- Easier integration
- Free of maintenance
- IP 65 Rated
- Standard sizes available: 10"and19" (customization available)
- Sealed well with Plastic frame or Alloy-Aluminium Frame

Remark: combined special functions are available

Part 3. Special Touch screen Products

Technology Specification

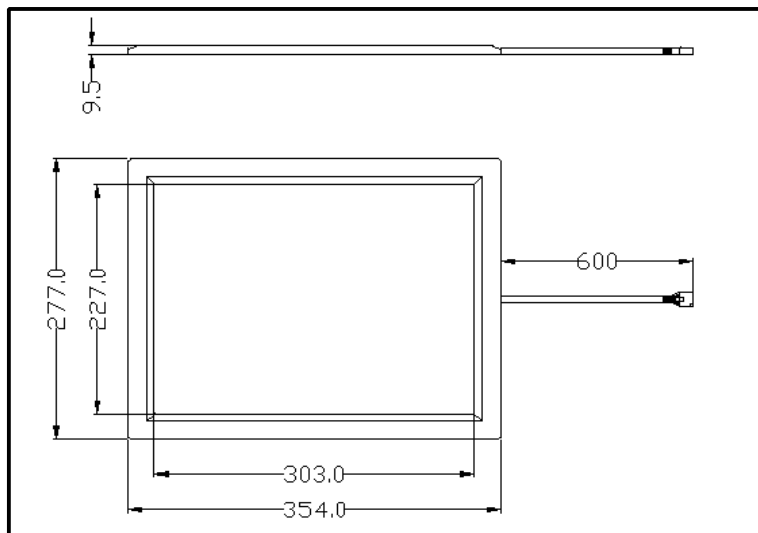
Water-proof frame to meet IP65 standard, Effective avoid the touching of reflective stripes 、 transducer with dust and fluid. Sealed well with plastic frame,protect the reflective grating and transducers from the dust and fluid etc;Compliant with IEC IP65 standards; maintenance-free and durability

Model number	CTA150W-4F;CTA170W-4F;CTA190W-4F
Series	Water-proof Type,Dust-proof
Technology	SAW, Waterproof plastic frame,Dust-proof
Sizes	15" 17" 19" <Specification drawings>
Materials	Pure glass+ Waterproof plastic frame,Dust-proof
Waterproof	IEC IP65,GB9963-1998

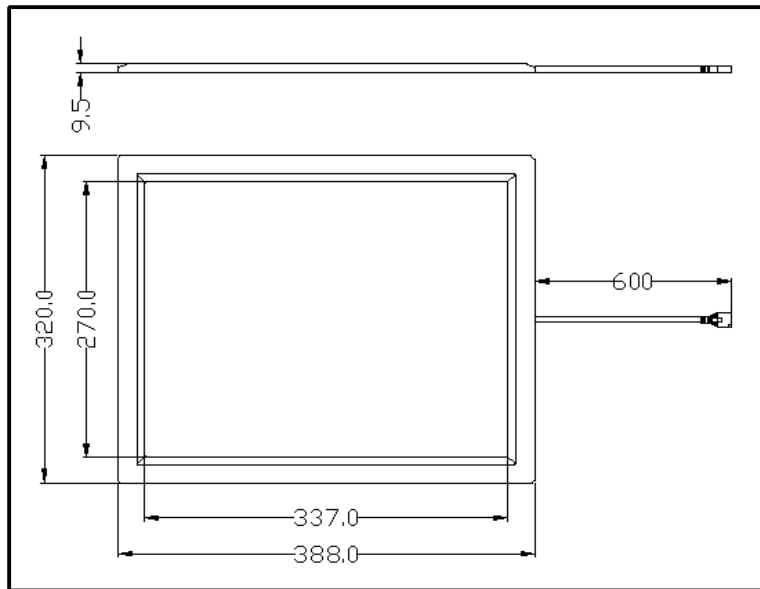
Vandal-Proof, Standard	
Resolution	4096×4096, Z-axis 256
Light transmission	90%~92%
Positional Accuracy	<2mm (0.080 inch)
Durability	More than 5,000,000 touches
Touch Material	Finger, pen, any other opacity objects
Surface hardness	Mohs hardness rating of 7
Working Temp.	-20°C to +60°C
Storage Temp.	-40°C to +70°C
Humidity	10%-90% 40°C
Altitude	3800m
Touch Interface	RS232 or USB
Touch Force	40g
Response Time	≤10ms
Certificate	UL, CE, FCC, RoHS

Part 4. Sizes Specification

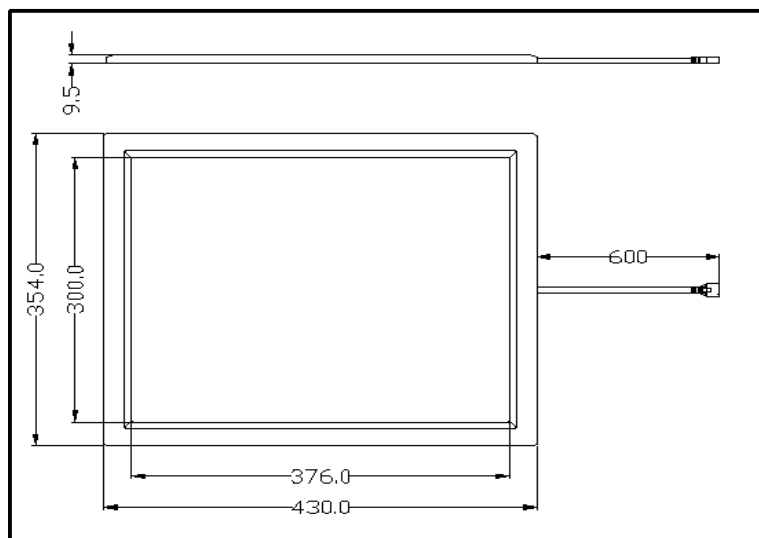
1)、15" Dust-proof Water-proof plastic frame Drawings



2)、17" Dust-proof Water-proof plastic frame Drawings



3)、19" Dust-proof Water-proof plastic frame Drawings



Part 5. Available Driver for Operation System

1) A. Windows 2000, CE,XP,Vista,Win7,etc.

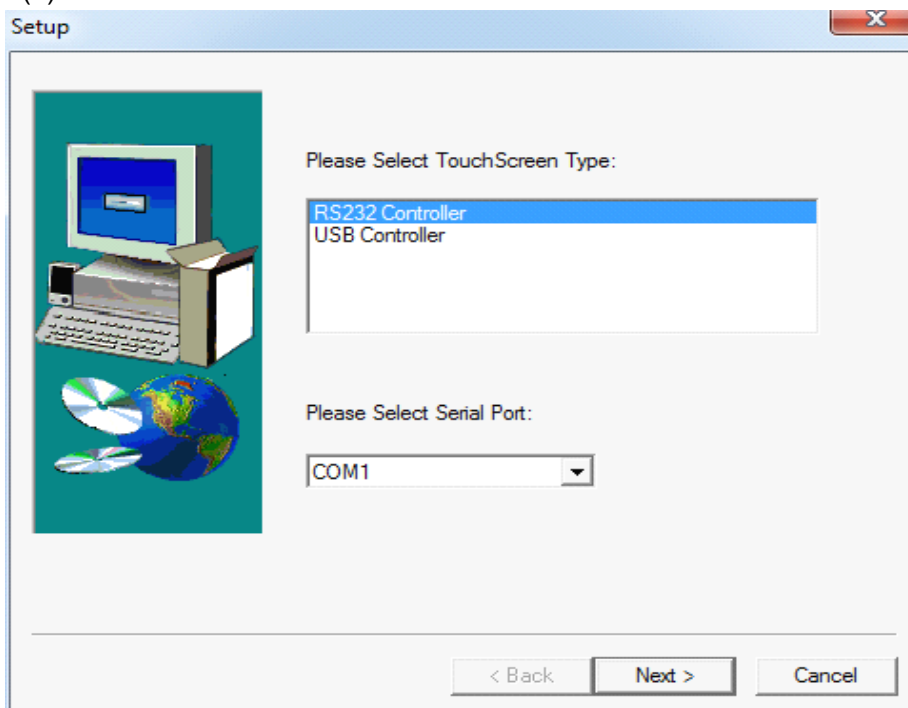
B. Linux

CJTOUCH driver installation and calibration guide:

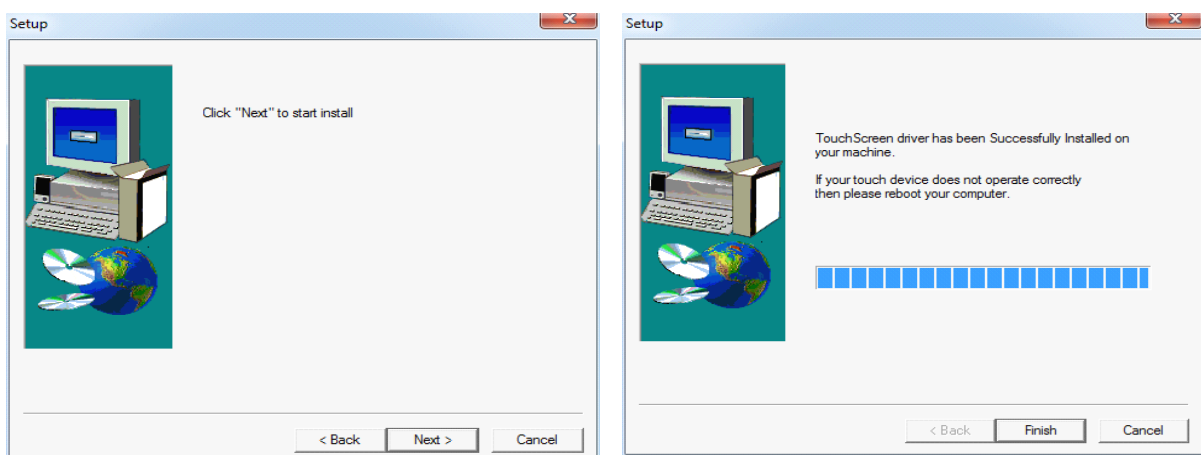
(1) driver installation guide:

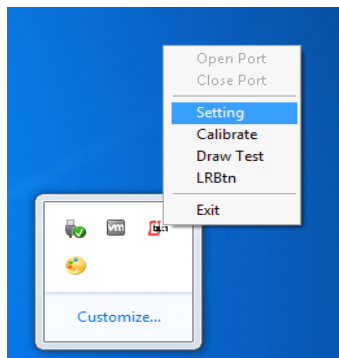
(2) double click the file of "Inst.exe" in the folder , the Windows will flip Dialog Box as follow:

(3)



After selecting the proper interface, click the NEXT button to start installing the driver as following.





Windows will pop-out the calibration interface, then click “+” with finger one by one, as follow:



After clicking the “+” on by one, the calibration is completed.

Part 6. Product Warranty

SAW sensor for 5 years

SAW controller for 3 years

Part 7. How to contact us

web: <http://www.greetouch.com>

Add: 2/F, B building, LangJan Industry Zone Niuhu,
Guanlan, Bao'an District ShenZhen, P.R. China

Tel: +86-755-29371519/29370883

Fax: +86-755-29235565

Mobile: 0086 13827465009

Msn: Peter@greetouch.com. *Skype:* greetouch5

Sales & Marketing: peter@greetouch.com

