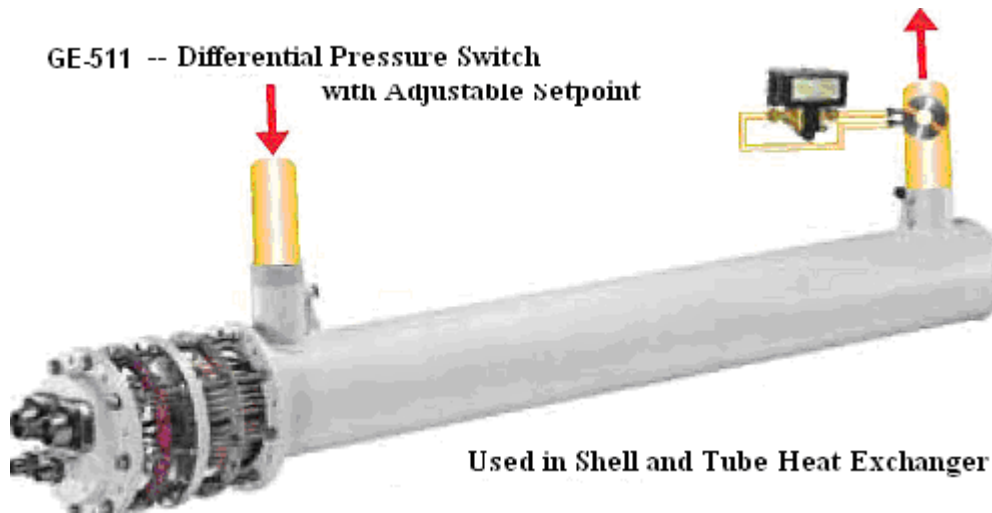


The Differential Pressure Switch is a new type flow switch, when the water flow (differential pressure) in system rises up or falls down to one set value, it will output a warning or sent switch-off signal to automatic control system. And it could also be used to indicate the status of pump or water filter.



**GE-512 Differential Pressure Flow Switch  
With Fixed Pressure Set Point**



**Used in Plate Heat Exchanger**



**Used in Double Pipe Heat Exchanger**

***Accurately Control & Stability***

***No Pressure Loss \* Dirt Resistant \* Easy Install***

It could avoid the shortcomings of annual inspection or changing target flow switch for water chiller unit so it could be applied widely in the water protection, status feedback of pump and by-pass control of differential pressure in evaporator and condenser in medium and large sized water chiller unit.

**Specification:**

- \* Protection Grade IP54
- \* Media Temperature -20~93 C
- \* Environmental Temperature -20~71 C
- \* Max Voltage 250V AC
- \* Max Current 3A
- \* Max Static Pressure 10/16/20 Bar
- \* Metering Substances Oil, Water, Air
- \* Max Pressure 25bar (30bar Available)
- \* Main Materials Brass or Stainless Steel



**GE-511 Differential Pressure Flow Switch with Adjustable Set Point**

GE-511A Series is D-P Flow Switch with single adjustable setpoint. The adjustable differential pressure switch could be calibrated directly by manufacturer according to customer's requirement, and printed the calibrated value on the label of product, so user needs not readjust in the field. The customer could calibrate by professional instrument according to the differential pressure required by equipment, and A.YITE COMPANY could provide relevant service.

Type	Pressure Setpoint Range	Switching Differential Set To	Output
030	5~30k Pa	3k Pa	1×3A SPDT
070	6~70k Pa	5k Pa	1×3A SPDT
100	6~100k Pa	6k Pa	1×3A SPDT
200	10~200k Pa	10k Pa	1×3A SPDT
300	20~300k Pa	15k Pa	1×3A SPDT

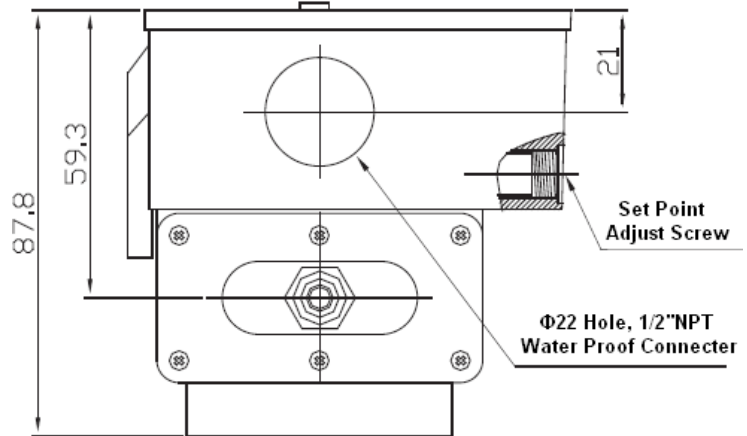
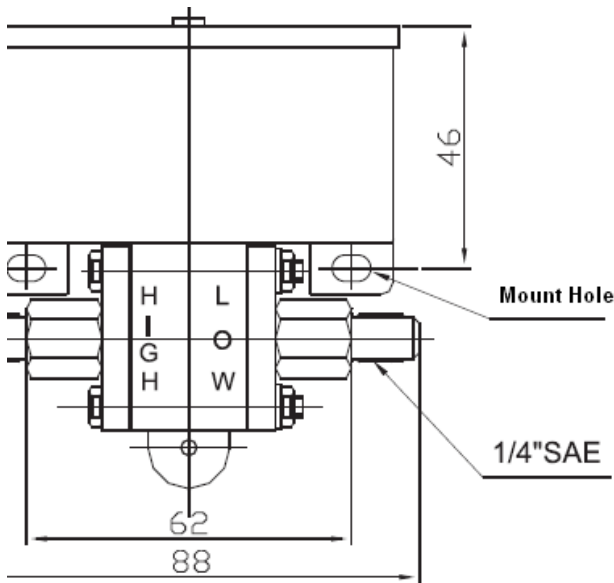
GE-511B Series is D-P Flow Switch with 2 adjustable setpoint. In order to meet various requirements of customers, A.YITE COMPANY also developed the adjustable double setpoints DP switch for upper-lower limit control of differential pressure. And if choose the local indicator, it could be applied to control the water cooled evaporator and condenser in HVAC system, the more or less flow of other heat exchanger, and low flow of heat exchanger due to scaling or dirty jamming, which has incomparable advantages than target flow switch.

Type	Pressure Setpoint Range		Switching Differential		Output
	$\Delta P1$	$\Delta P2$	Set To $\Delta P1$	Set to $\Delta P2$	
030	5~30k Pa	6~100k Pa	3 k Pa	6 k Pa	2×3A SPDT
070	6~70k Pa	6~100k Pa	5 k Pa	6 k Pa	2×3A SPDT
100	6~100k Pa	6~100k Pa	6 k Pa	6 k Pa	2×3A SPDT
150	6~100k Pa	10~200k Pa	6 k Pa	10 k Pa	2×3A SPDT
200	10~200k Pa	10~200k Pa	10 k Pa	10 k Pa	2×3A SPDT
300	20~300k Pa	20~300k Pa	15 k Pa	15 k Pa	2×3A SPDT

- \* Stable
- \* Accuracy Control
- \* No Pressure Loss
- \* Dirt Resistant
- \* Easy Adjustment of Switch
- \* Easy Install



### Monitor The Working Condition of Pump



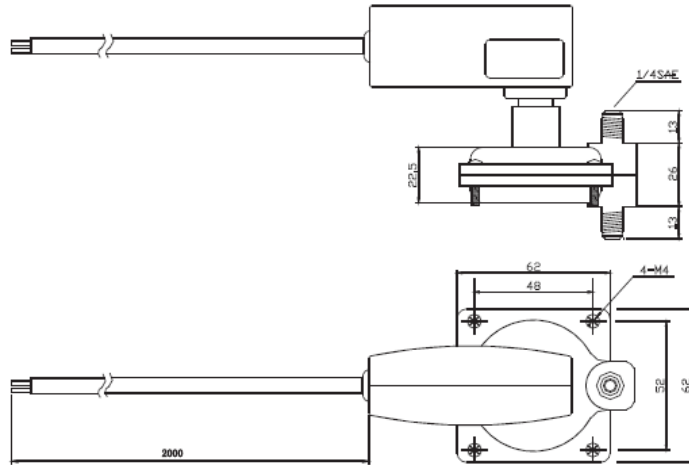
### Specification:

- \* Protection Grade IP54
- \* Medium Temperature -20~93 C
- \* Environmental Temperature -20~71 C
- \* Output: 10A; 125/250V AC
- \* Metering Substances Oil, Water, Air
- \* Max Pressure 25bar (30bar Available)
- \* Main Materials Brass I
- \* Cable 1.5m, 2×0.5mm<sup>2</sup>



### GE-512 Differential Pressure Flow Switch With Fixed Pressure Set Point

GE-512 Series is Differential Pressure Switch with Fixed Pressure Setpoint, the setpoint could not be changed. So if the user choose one type of GE-512, the user could not change the flow setpoint, then it will avoid the mistake in Installing.



Type	Pressure Setpoint	Swithing Differential Set To	Output	Cable
006	6 K Pa	1.5 K Pa	1×10A SPDT	2~3×0.75mm <sup>2</sup>
010	10 K Pa	2 K Pa	1×10A SPDT	2~3×0.75mm <sup>2</sup>
014	14 K Pa	3 K Pa	1×10A SPDT	2~3×0.75mm <sup>2</sup>
017	17 K Pa	4 K Pa	1×10A SPDT	2~3×0.75mm <sup>2</sup>
020	20 K Pa	5 K Pa	1×10A SPDT	2~3×0.75mm <sup>2</sup>
025	25K Pa	6 K Pa	1×10A SPDT	2~3×0.75mm <sup>2</sup>
030	30 K Pa	7 K Pa	1×10A SPDT	2~3×0.75mm <sup>2</sup>
035	35 K Pa	8 K Pa	1×10A SPDT	2~3×0.75mm <sup>2</sup>
040	40 K Pa	8 K Pa	1×10A SPDT	2~3×0.75mm <sup>2</sup>
050	50 K Pa	10 K Pa	1×10A SPDT	2~3×0.75mm <sup>2</sup>
065	65K Pa	10 K Pa	1×10A SPDT	2~3×0.75mm <sup>2</sup>
080	80 K Pa	10 K Pa	1×10A SPDT	2~3×0.75mm <sup>2</sup>

**Remark:** GE512 Series differential pressure flow switch have fixd pressure set point..

☆☆☆☆☆ **New Products** ☆☆☆☆☆

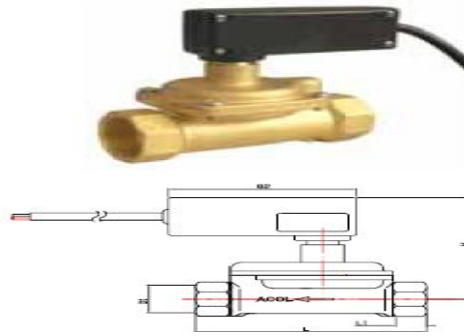
Specification:

- \* Protection Grade IP54
- \* Medium Temperature -20~93 C
- \* Environmental Temperature -20~71 C
- \* Output: SPST 5A(Max) 125/250V AC
- \* Metering Substances Oil, Water
- \* Max Pressure 20bar (30bar Available)
- \* Main Materials Brass I
- \* Cable 1.5m, 2×0.5mm<sup>2</sup>

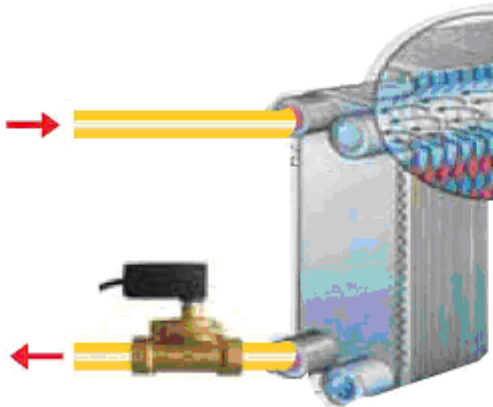


**GE-518 Differential Pressure Control Flow Switch**

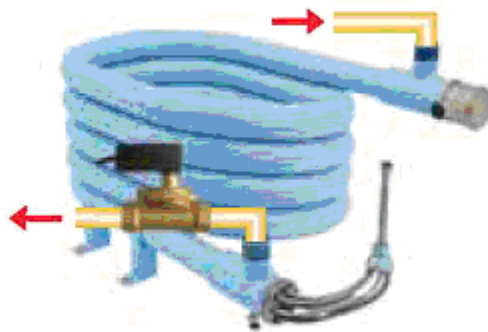
- \* Easy Install
- \* Sensitive
- \* Dirt Resistant
- \* No Pressure Loss
- \* Connect with female thread
- \* Fixed Pressure Setpoint, the setpoint could not be changed



### GE-518 Differential Pressure Control Flow Switch



Used in Plate Heat Exchanger



Used in Double Pipe Heat Exchanger

☆☆☆☆☆ **New Products** ☆☆☆☆☆

### GE-519 Plastic Pressure Control Flow Switch

The pressure setpoint is 0.4bar, when pressure is 0.4bar, the switch will sent a signal. The Max pressure is 3 bar, when pressure is 3 bar, the water pressure switch will output water to low the pressure. This function will protect the pipe of water system, proof the broken of water pipe

#### Specification:

- \* Medium Temperature: -20~93 C
- \* Diaphragm: EPDM
- \* Max Static Pressure: 4.0 bar
- \* Output: 10A 250VAC SPDT switch
- \* Metering Substances Oil, Water, Sea water
- \* Main Materials Plastic



It is a plastic body, as a differential pressure switch, used in water heating system. It is a better Substitute Products for common target flow switch, as it is stable performance and low price.

## GE921 Air Differential Pressure Switch

Series of GE921 Air Differential Pressure Switch can be used to sense (differential) pressure and flow of air in ducts and pipes.

### Technical Specification:

- \* Max. differential pressure: 5000Pa
- \* Protection Class: IP54
- \* Output: 1.0A (0.4A)/ 250VAC
- \* Working temperature:-20~85 C
- \* Storage temperature: -40~85C
- \* Min. Actuating pressure: 20Pa(Standard);
- \* min.starting interval: 10Pa; range: 20~30Pa
- \* Installation Direction: vertical  
(standard installation style)
- \* Hose connection: pipe P6.2mm

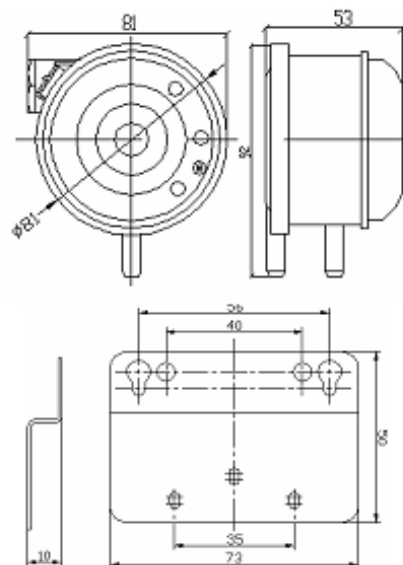


Type	Adjust Range	Return Difference	Deviation
GE921A	20~200 Pa	10 Pa	± 10%
GE921B	30~300 Pa	20 Pa	± 10%
GE921C	50~500 Pa	20 Pa	± 10%
GE921D	100~1000 Pa	20 Pa	± 10%
GE921E	500~2000 Pa	100 Pa	± 10%
GE921F	500~2500 Pa	150 Pa	± 10%
GE921G	1000~5000 Pa	200 Pa	± 10%



### Possible fields of application include:

- \* Monitoring air filters and ventilators
- \* Monitoring industrial cooling-air circuits
- \* Maximum air flow controller for variable air volume systems
- \* Overheating protection for fan heaters
- \* Monitoring flows in ventilation ducts
- \* Controlling air and fire-protection flaps
- \* Frost protection for heat exchangers
- \* Air proving in ventilation ducts



## GE920 Air Differential Pressure Transmitter

GE920 Differential Pressure Transmitter is Adopting diffused silicon chip measuring technology, with double seal pressure piping and exact differential pressure measuring. It is suitable for differential pressure measuring for medical treatment, chemical fiber, electricity, dustless house and etc.

### Specification:

Ranges: 0~50Pa~200Pa~1KPa~10KPa ~100KPa  
±(50Pa~200Pa~1KPa~10KPa ~100KPa)  
Accuracy: 0.1%, 0.5%FS, 1.0%FS  
Output: 0~5V; 1~5V; 4~20mA  
Power supply: 12VDC~36VDC(24VDC is Standard)  
Medium Temperature: -20~85 C



### Typical applications include:

Filter obstructive alarm.  
Maximum air flow controller for variable air volume systems.  
Air proving in ventilation ducts.  
Burner air control  
Overheating protection for Electric Heater with Blower



## GE-923 Air D-P Transmitter with LCD Screen

This Air Differential Pressure transmitter is produced with magnetic sensing technology, pressure ranges from 0~25Pa at up to 1250Pa. Available with Unidirectional and bidirectional pressure ranges, and air velocity, with LCD display screen

1. Medium: Air and non-combustible gases, compatible gases
2. Pressure Range: 0- 25Pa (min.), 0-1250Pa(max.)
3. Max Pressure: 7000Pa max. operation; 70KPa burst
4. Power Supply: 10-35 VDC (2-wire); 17-36 VDC isolated 15-26 VAC (3-wire)
5. Output: 4-20mA (2-wire), 0-5V(3-wire);0-10V (3-wire)
6. Protect Grade: IP65
7. Visual Display(optional): 2-line, 4-digit LCD
8. Working Temperature: -20C ~ 70C



## GE-922 Gas Differential Pressure Flow Switch

The gas pressure switch is used to detect air flow in forced draught appliances, guards against poor or hazardous combustion, indicates dirty or inefficient filters, mainly used in the gas water heater

Pressure Range: 15Pa ~ 950Pa

Max Pressure: 10mbar

Rated burden: 125V/250V; 0.1A/3A/16A in option

Switch Life: 2,000,000 cycles

Output: SPDT SPST

