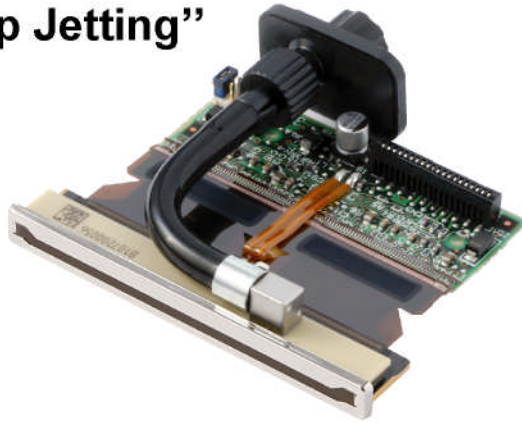


INKJET HEAD

High Quality & High Speed

CB1

“Multi-Drop Jetting”



CA3

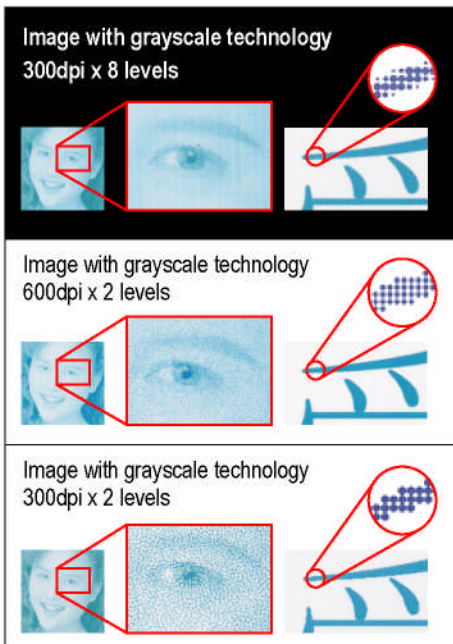


Features

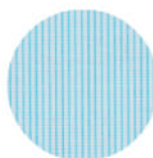
- 8 level grayscale per dot with multi-drop jetting
- Accurate dot placement
- Oil based and UV curable ink available
- Stable jetting with water circulation thermal control (CA3)
- Minimum composition to build a wider print array module (CB1)

8 level grayscale multi-drop jetting

[TOSHIBA TEC Inkjet Head]



■ 150dpi X 300dpi
print sample



TOSHIBA TEC's on-demand piezo electric inkjet printheads are designed for industrial applications with high print quality.

Unlike conventional binary printheads, this grayscale printhead technology of jetting multiple drops within one dot allows for an image to have 8 level grayscale, since each dot is created through a minimum of 6 pl to a maximum of 42 pl of ink. This enables the image to express near photo print quality.

Revolutionary single pass speed printing is achievable with its unique precise piezo process and driving technologies, offering accurate dot placement and jetting reliability.

Compatibility with both UV curable and oil based pigment ink allows printing on various types of substrate, both porous and non-porous.

The CB1 is a minimum composition for customers to combine them into a wider print array module.

The CA3 is packaged printhead with chassis which provides built-in water channel and complete sealing designed for easy temperature control.

* pl = pico liter(s)
(10^{-12} liter(s))

TOSHIBA TEC CORPORATION

INKJET HEAD

High Quality & High Speed

SPECIFICATION

		CB1	CA3
Printable Width		53.6 mm	
Number of Channels		318 / head	
Resolution / Channel Pitch		150 dpi / 169 μm	
Print Mode		Multi drop / 8levels (Standard)	
Drop Volume		6-42 pl	
Standard Frequency	@ 1drop	[13.8 KHz]	
	@ 7drops	4.8 KHz	
	@ 15drops	[2.6 KHz]	
Linear Speed	@ 1drop,1200dpi	[17 m/min]	
	@ 7drop,300dpi	24 m/min	
Driving Voltage		14 - 28 V	
Ink *		Oil based pigment ink / UV curable pigment ink	
Weight		30g	148g
Dimensions		62(W) X 61(D) X 16(H) mm	85(W) X 70(D) X 23(H) mm
Cover		No	Yes
Chassis		No	Ceramic Chassis with water channel

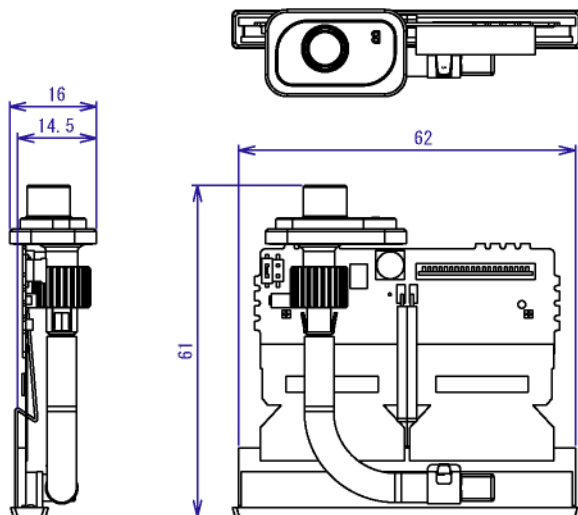
* pl = pico liter(s)

* Note : Phrase in parentheses is a reference value.

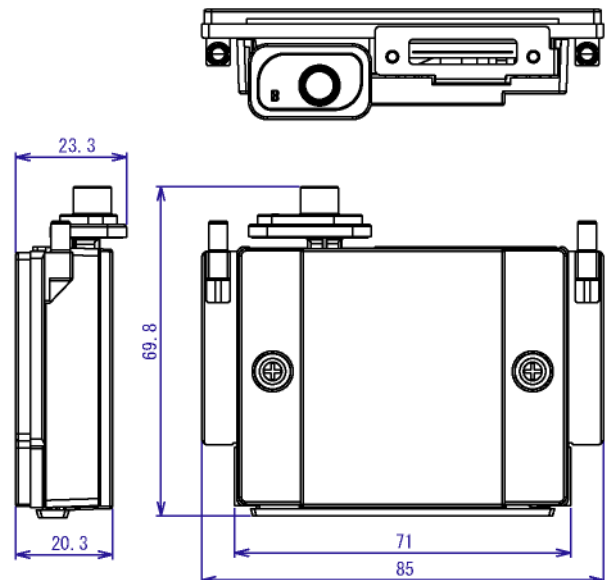
* Some ink may damage printheads depending upon the chemical used.

It is strongly recommended that material compatibility test be carried out before use to obtain optimum print performance of the printheads.

CB1



CA3



To ensure correct use of the product, be sure to carefully read the specifications and follow its instruction before use.

Disposal

The HEAD must be disposed of after removing the INK according to applicable laws and regulation in each country.

Design and specifications subject to change without notice. The color(s) of the actual product may vary from the color(s) shown in this brochure. All rights reserved. No part of this materials may be used or reproduced in any manner whatsoever without permission.

Copyright © 2007 TOSHIBA TEC CORPORATION

TOSHIBA TEC CORPORATION

Oval Court Ohsaki Mark East, 2-17-2, Higashi Gotanda, Shinagawa-ku, Tokyo, 141-8664 Japan

Phone:+81-3-6422-7742 Fax:+81-3-6422-7947

www: <http://www.toshibatec.co.jp>