

# INKJET HEAD

High Quality & High Speed

CA5

“Smaller Droplet”

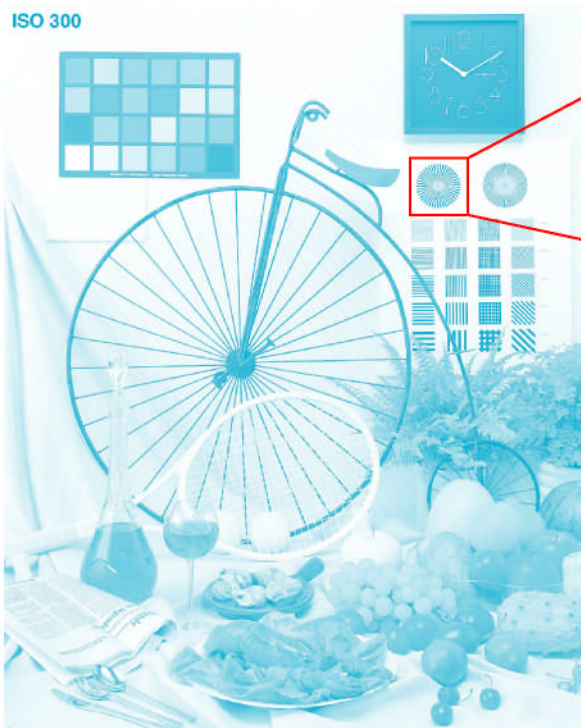


## Features

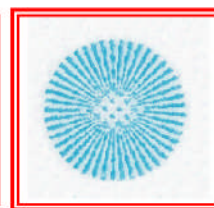
- Smaller ink droplet of 3pl for higher resolution
- Higher driving frequency (17.9KHz)
- Accurate dot placement
- Oil based and UV curable ink available
- Stable jetting with water circulation thermal control

Higher resolution of 1200dpi with accurate dot placement creates excellent image reproduction

ISO 300



Original Image  
(macrograph)

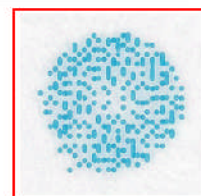


1200dpi  
(3pl)

150x150(pixel)  
W:3.2x3.2(mm)

Printed with  
CA5

Reference



300dpi  
(42pl)



600dpi  
(12pl)

# INKJET HEAD

High Quality & High Speed

## SPECIFICATION

		CA5
Printable Width		53.6 mm
Number of Channels		318 / head
Resolution / Channel Pitch		150 dpi / 169 $\mu$ m
Print Mode		Binary
Drop Volume		3 pl
Standard Frequency	@ 1drop	17.9 KHz
	@ 7drops	-
	@ 15drops	-
Linear Speed	@ 1drop,1200dpi	22 m/min
	@ 7drops,300dpi	-
Driving Voltage		14 - 31 V
Ink *		Oil based pigment ink / UV curable pigment ink
Weight		148g
Dimensions		85(W) X 70(D) X 23(H) mm
Cover		Yes
Chassis		Ceramic Chassis with water channel

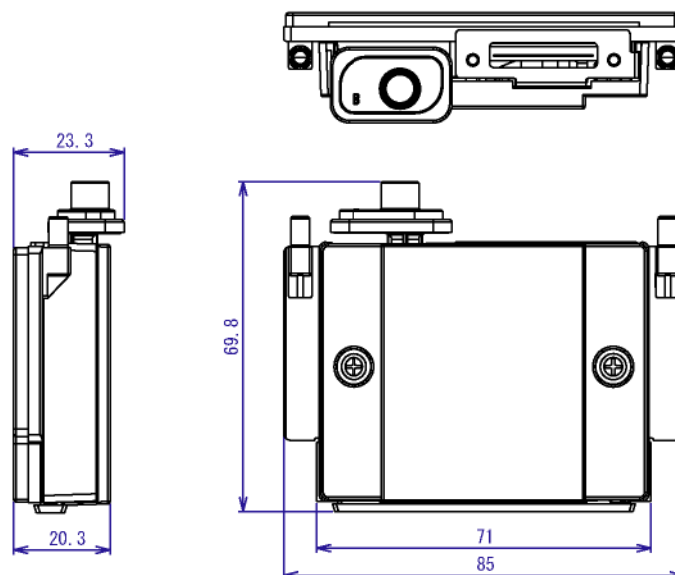
\* pl = pico liter(s)

\* Note : Phrase in parentheses is a reference value.

\* Some ink may damage printheads depending upon the chemical used.

It is strongly recommended that material compatibility test be carried out before use to obtain optimum print performance of the printheads.

## CA5



To ensure correct use of the product, be sure to carefully read the specifications and follow its instruction before use.

### Disposal

The HEAD must be disposed of after removing the INK according to applicable laws and regulation in each country.

Design and specifications subject to change without notice. The color(s) of the actual product may vary from the color(s) shown in this brochure. All rights reserved. No part of this materials may be used or reproduced in any manner whatsoever without permission.

Copyright © 2007 TOSHIBA TEC CORPORATION

## TOSHIBA TEC CORPORATION

Oval Court Ohsaki Mark East, 2-17-2, Higashi Gotanda, Shinagawa-ku, Tokyo, 141-8664 Japan

Phone:+81-3-6422-7742 Fax:+81-3-6422-7947

www: <http://www.toshibatec.co.jp>