

INKJET HEAD

High Quality & High Speed

CE2

“Higher Resolution”

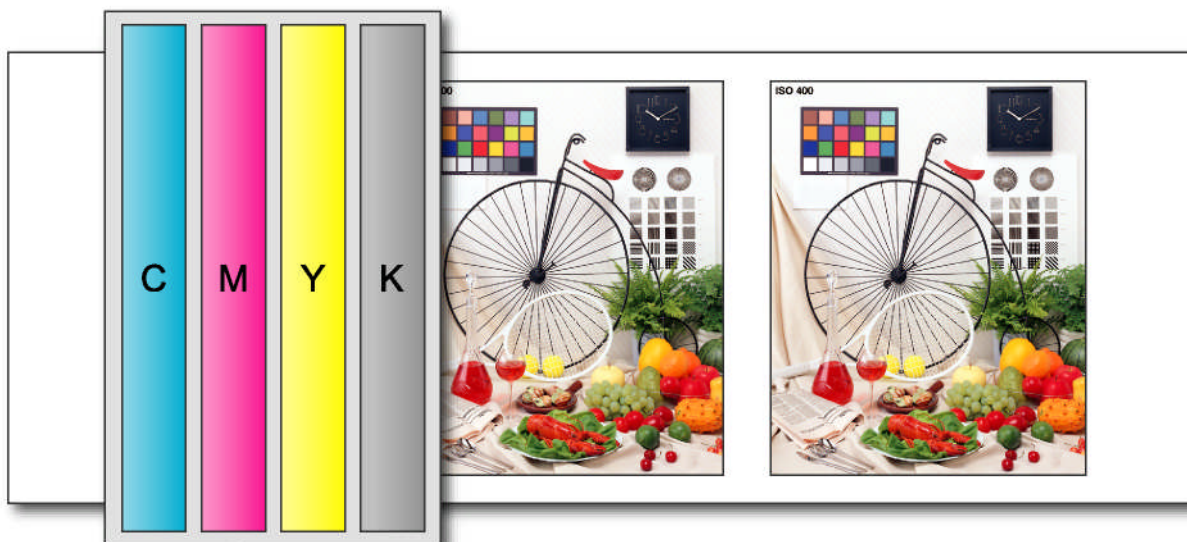


Features

- Higher nozzle density with 636 channels
- Wider range of grayscale up to 16 levels
- Accurate dot placement
- Oil based and UV curable ink available
- Stable jetting with water circulation thermal control

Higher nozzle density

CE2 is designed and more suitable for single pass application with its 300dpi resolution.



Fixed Inkjet head assembly unit

TOSHIBA TEC CORPORATION

INKJET HEAD

High Quality & High Speed

SPECIFICATION

		CE2	CA4
Printable Width		53.7 mm	53.6 mm
Number of Channels		636 / head	318 / head
Resolution / Channel Pitch		300 dpi / 84.5 μ m	150 dpi / 169 μ m
Print Mode		Multi drop 8 levels (Standard) 16 levels (Maximum)	
Drop Volume		6 - 90 pL	
Standard Frequency	@ 1drop	28.0 KHz	
	@ 7drops	6.2 KHz	
	@ 15drops	2.8 KHz	
Linear Speed	@ 1drop,1200dpi	35 m/min	
	@ 7drops,300dpi	31 m/min	
Driving Voltage		14 - 31 V	
Ink *		Oil based pigment ink / UV curable pigment ink	
Weight		174 g	148 g
Dimensions		85(W) X 75(D) X 34(H) mm	85(W) X 70(D) X 23(H) mm
Cover		Yes	
Chassis		Ceramic chassis with water channel	

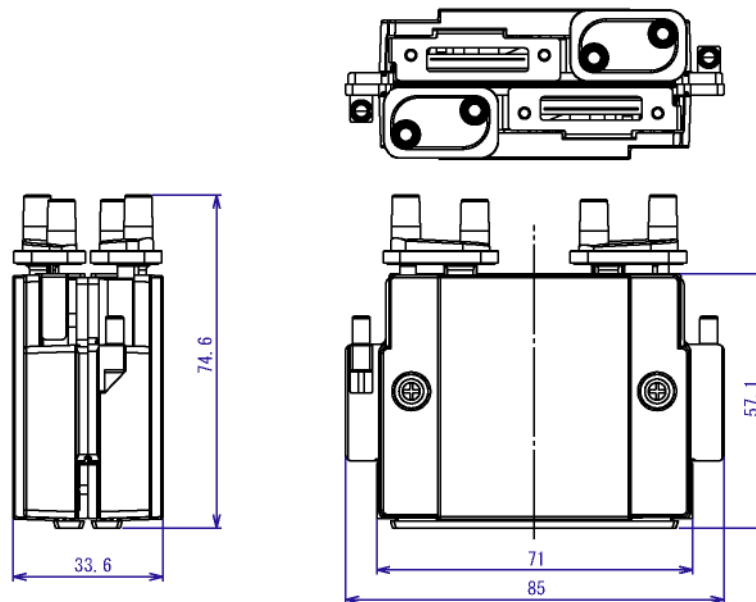
* pL = pico liter(s)

* Note : Phrase in parentheses is a reference value.

* Some ink may damage printheads depending upon the chemical used.

It is strongly recommended that material compatibility test be carried out before use to obtain optimum print performance of the printheads.

CE2



To ensure correct use of the product, be sure to carefully read the specifications and follow its instruction before use.

Disposal

The HEAD must be disposed of after removing the INK according to applicable laws and regulation in each country.

Design and specifications subject to change without notice.
The color(s) of the actual product may vary from the color(s) shown in this brochure. All rights reserved. No part of this materials may be used or reproduced in any manner whatsoever without permission.

Copyright © 2007 TOSHIBA TEC CORPORATION

TOSHIBA TEC CORPORATION

Oval Court Ohsaki Mark East, 2-17-2, Higashi Gotanda, Shinagawa-ku, Tokyo, 141-8664 Japan

Phone:+81-3-6422-7742 Fax:+81-3-6422-7947

www: <http://www.toshibatec.co.jp>