

2D PM 光纤阵列 规格书

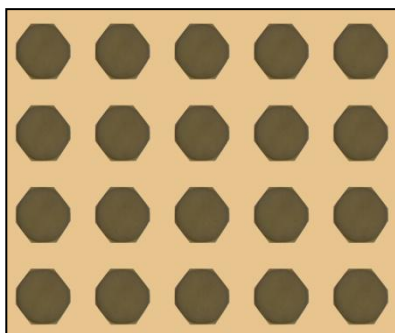
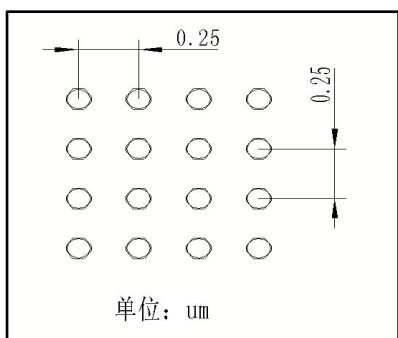
Specifications for 2D PM Fiber Array

1、参数 Specifications

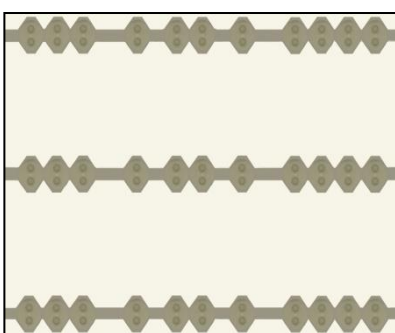
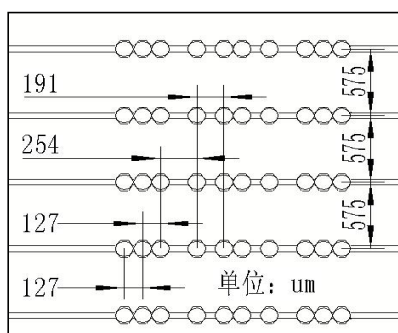
排列方式 Arrangement styles	Line、Square、 circle Accept customization	最小排列周期 Min Channel pitch	127um Accept customization
最细光纤直径 Min Diameter of fiber	125um	光纤类型 Fiber Type	PM Fiber
周期偏差 Pitch error	± 1um	光纤位置偏差 Core position error	± 1um
累计误差 Accumulative error	0	光纤数值孔径 Numerical Aperture	0.12
适用波长 Wavelength	780、980、1310、 1550...	消光比 ER	>20dB (@1550nm)
回损 Return Loss	≥50dB	插损 Insertion Loss	≤0.3dB
对轴方式 Axis Alignment style	慢轴对准 Slow axis alignment	对轴精度 Axis accuracy	±3°
连接头 Connector	FC/PC 、 FC/APC	长度 Length	1m

2、外观 (Appearance of 2D PM Fiber Array)

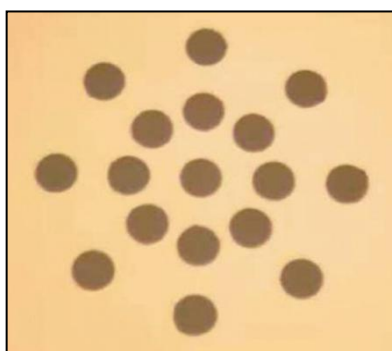
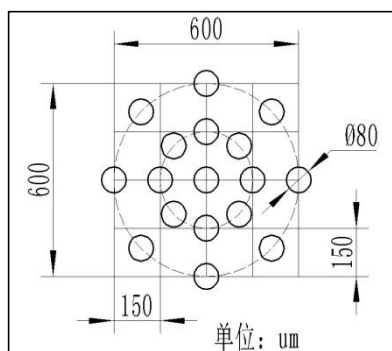




Examples 2:
X=Y =250um
Arrangement accuracy: ±2um
Diameter of fiber: 125um



Examples 3:
X≠Y
X1=127um X2=254um
X3=191um
Y=575um
Arrangement accuracy: ±2um
Diameter of fiber: 125um



Examples 4:
Circular arrangement
Arrangement accuracy: ±2um
Diameter of fiber: 125um

6、光纤密排与连接器连接方式 (Appearance of entrance)

1) FC/PC FC/APC

