

FS2 series water-proof connectors



Products introduction

FS2 series circular connectors made of plastic shell, It can be used in the water-proof place. We use the reliable cage clamp connection instead of the traditional wire spring. These connectors have the features of lower contact resistance, anti-libration, shock proof, water proof and strong seal etc. They are widely used for the electrical connection between electrical equipment. It has protection IP68 (Test : Under water 2 m , 48 hours). Meet CE, RoHS. UL certification: E308558.

Product Ordering

FS 2 -- 3 T - 6
 1 2 3 4 5

- 1. Name of series: fs
- 2. Design No. : 2
- 3. Number of contacts: 2,3,4,5,6

4. T: Plug with sockets, ZM: Panel receptacle with solder pins, Use M12 metal hex screw, ZM1: Panel receptacle with solder pins, Use M12 Plastic hex screw, ZP: cable receptacle with solder male pins. (Z1: receptacle with crimp pins.)

- 5. Cable gauge: 5,6,7 (The cable OD), only plug and cable receptacle meet cable.

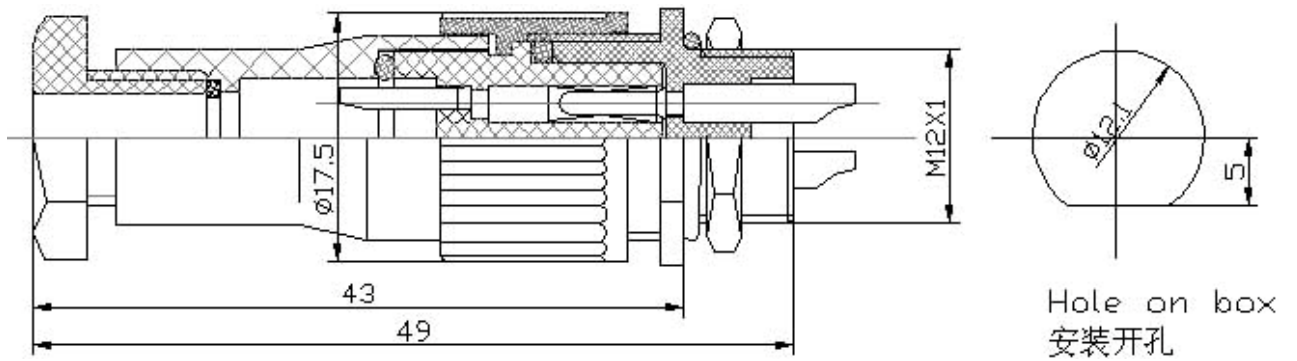
Technical characteristics

Temperature	Relative humidity	Atmosphere	Vibration	Shock
-55° C ~ +100° C	(90~96)% at 40° C	4.4KPa	10~500Hz, 100m/s ²	200m/s ²
Current	Voltage	Contact resistance		Endurance
7A (FS2-2,3)	190-250V	≤ 5mΩ		500cycles
5A (FS2-4,5,6)	190-250V	≤ 8mΩ		1000cycles

Environment	Voltage proof	Insulation resistance
Normal	1500V	$\geq 100M\Omega$
High temperature	900V	$\geq 50M\Omega$
Moisture	600V	$\geq 20M\Omega$
Low pressure	400V	-

Dimensions

1. Plug + Receptacle, Board Drillings:FS2-T-X+FS2-ZM/ZM1



2. Plug + Cable receptacle:FS2-T-X+FS2-ZP-X:

