

AISG connectors FS1 series



The connectors of series FS1 are available with 2-8 contacts, screw coupling, can interchange with Amphenol C 091 A /B/D & Binder 423 series. Meet DIN45326 standard. All connectors of series FS1 are EMI protected and IP 67 proof. Main applications for FS1 connectors are industrial controls, data processing, instrumentation, medical devices, telecommunication network and equipment, plus outdoor and marine application. Cable connector main applications for 3G, Tower Mounted Amplifier, Base Stations. CE proved.

Product Ordering

FS1 / - 6 / T / 1 / - 8 / C2
 1 / 2 / 3 / 4 / 5 / 6

1. Name: FS1 type water proof connector
2. Number of contacts: 2, 3, 4, 4A, 5, 5A, 5B, 6, 6A, 7, 7A, 8.
3. Connector type: T: Plug; Z1: Circular receptacle, Z2: Hexangular receptacle, Z3: Square receptacle, ZA: Pcb mount receptacle.
4. Contacts type: J: pin; K: socket.
5. Meet cable diameter: 6-9 mm
6. Protect cap: C: Metal cap, C1: Hard plastic cap, C2: Soft plastic cap.

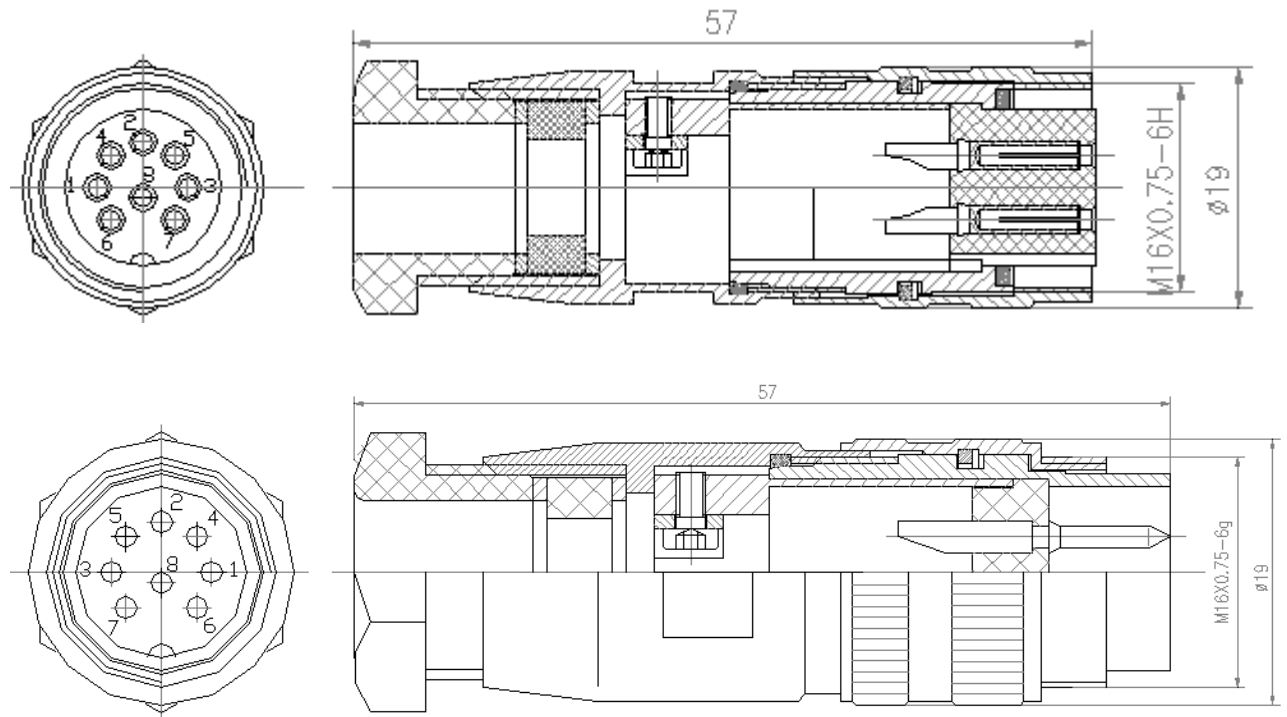
Technical characteristics#

Temperature	Relative humidity	Vibration	Shock	Endurance
-55° C~	90-95%	10~1000Hz	490m/s ²	1000
+85° C	at 40 Deg C	196m/s ²		cycles

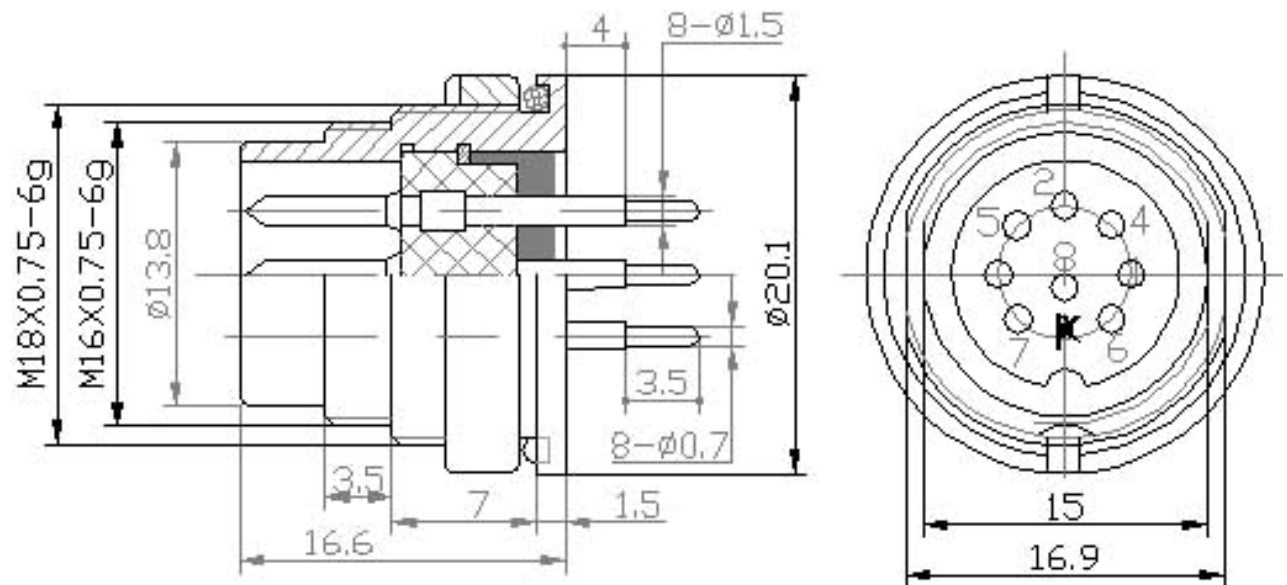
Contact	Current	Voltage	Contacts resistance
1.5mm	5-7 A	60-250VAC	≤3mΩ

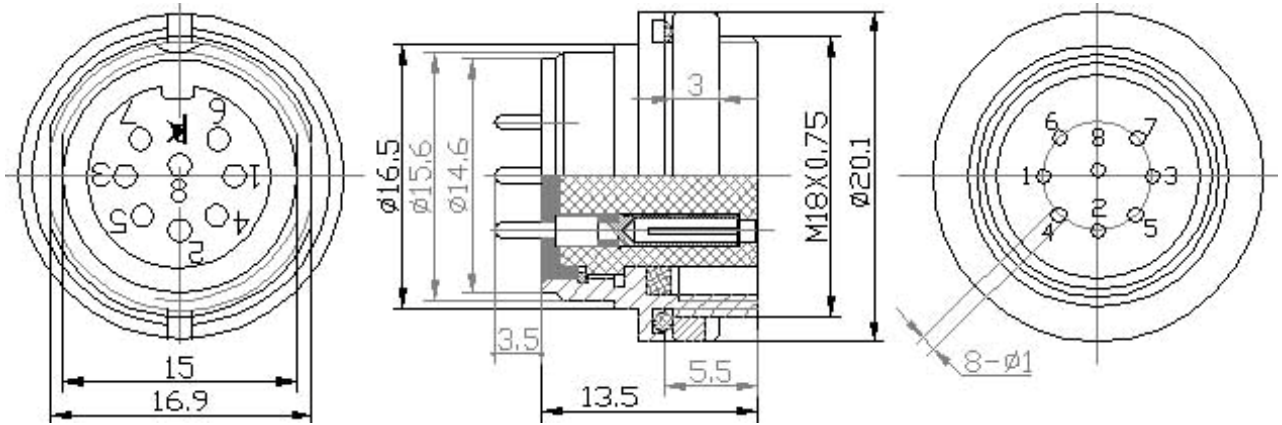
FS1 series dimensions:

1.Plug:Use solder contacts,FS1-8TK/FS1-8TJ:

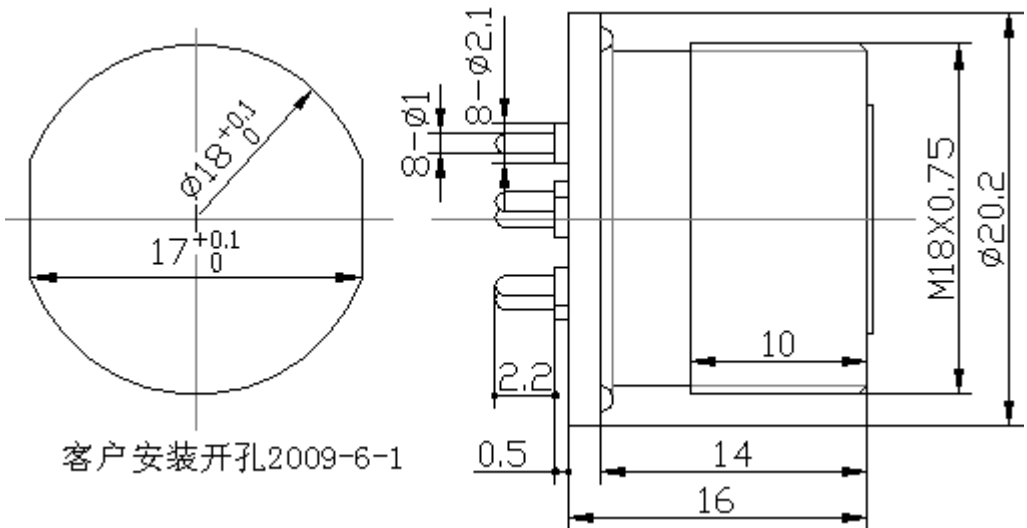
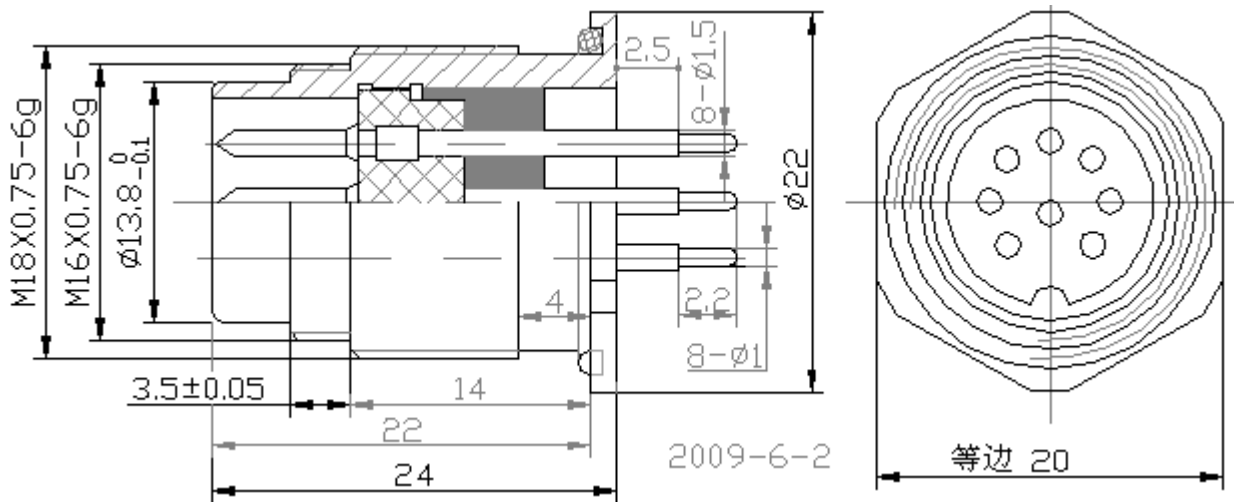


2.Circular receptacle with pcb mount contacts:FS1-8Z1JA/FS1-8Z1KA

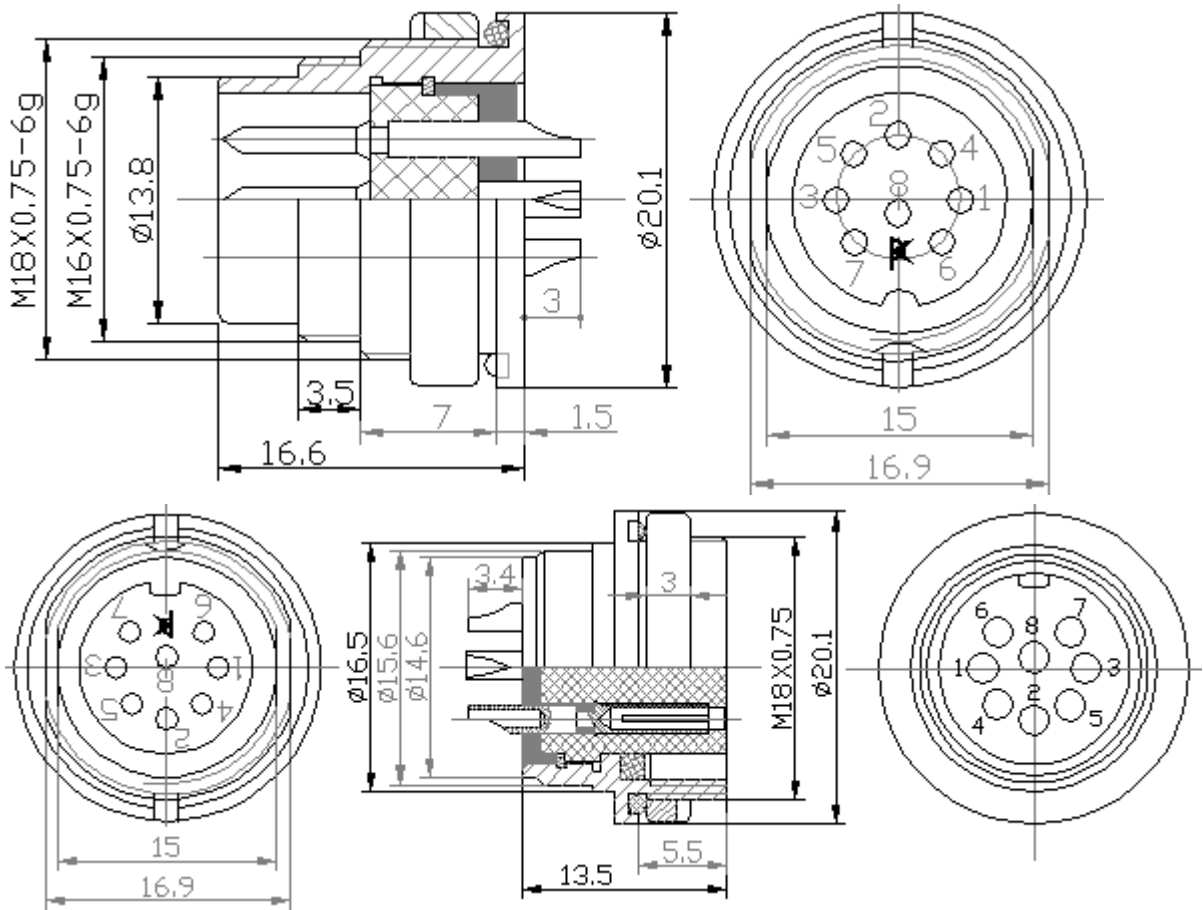




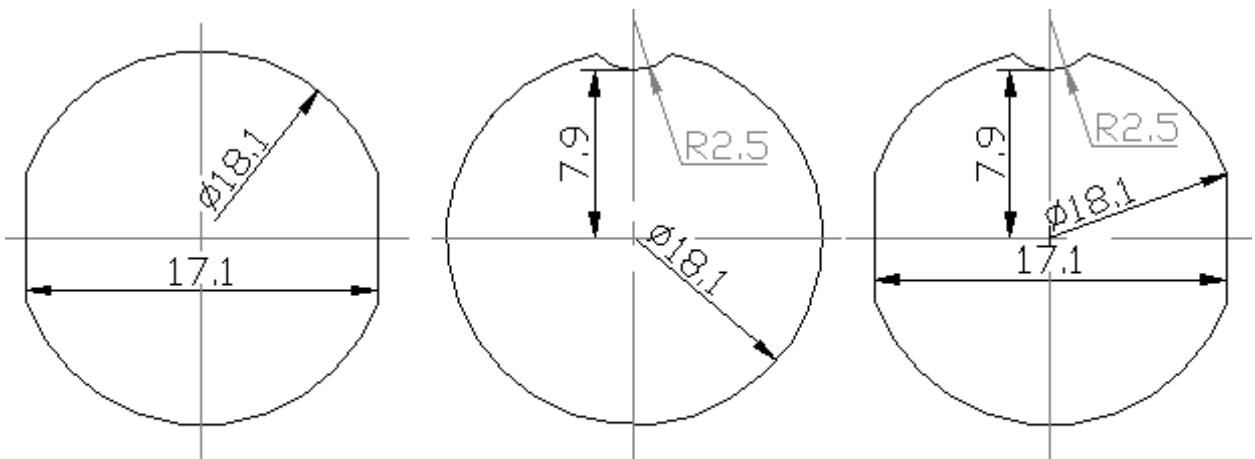
3.Hexangular receptacle with PCB contacts can pass thick wall:
FS1-8Z2JA/FS1-8Z2KA



4.Circular receptacle with solder contacts: FS1-8Z1J/FS1-8Z1K:



5. Circular panel out size:

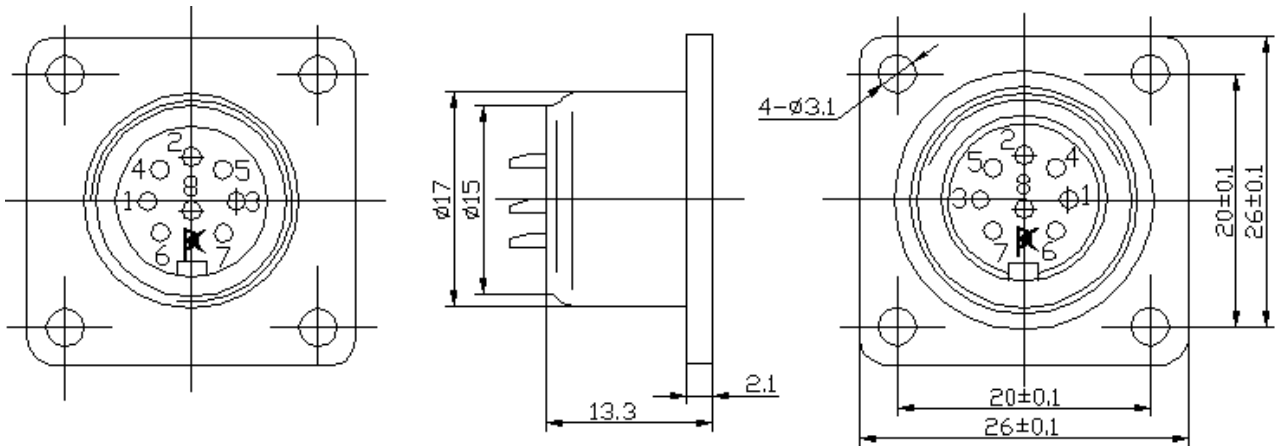
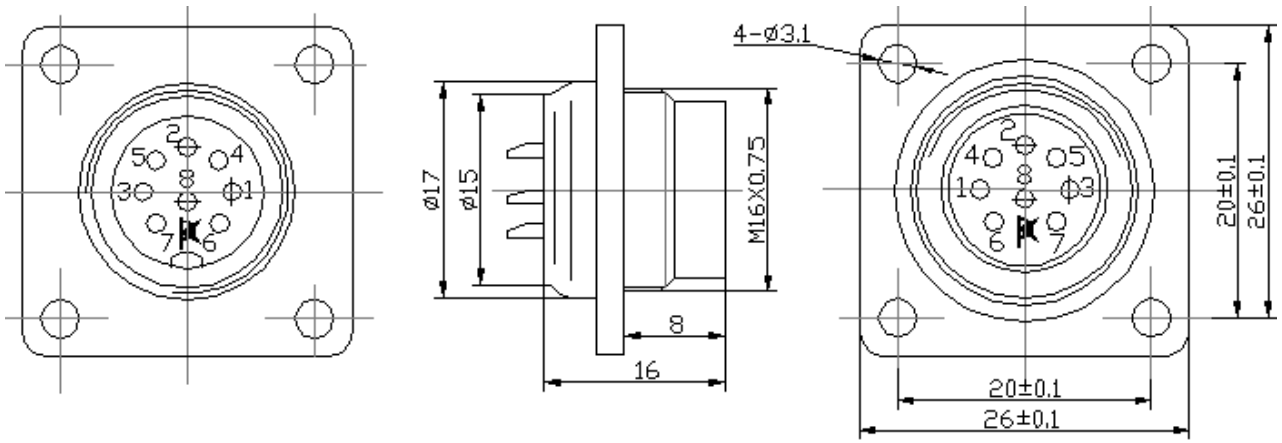


客户安装开孔1
Panel Cutout 1

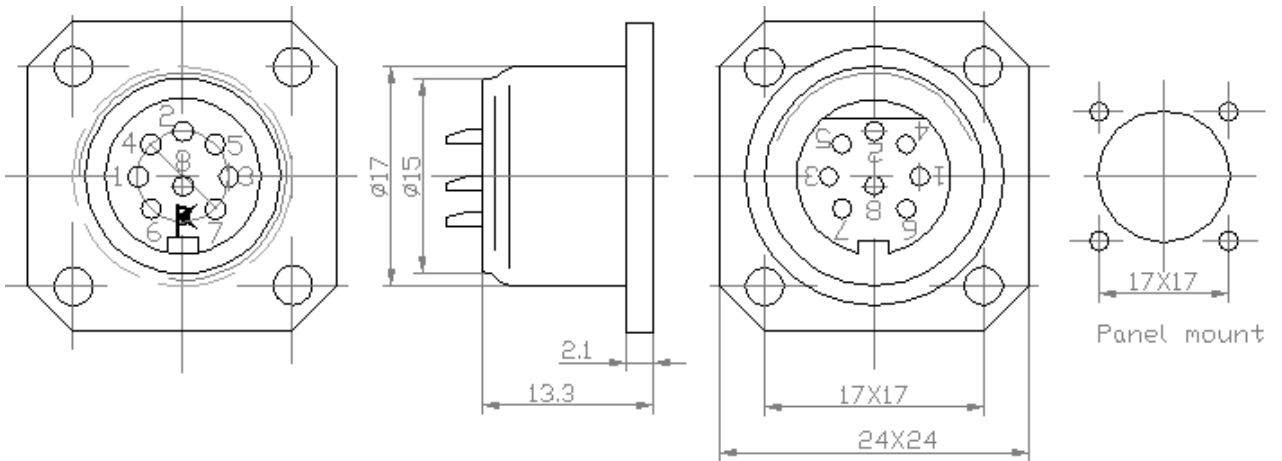
客户安装开孔2
Panel Cutout 2

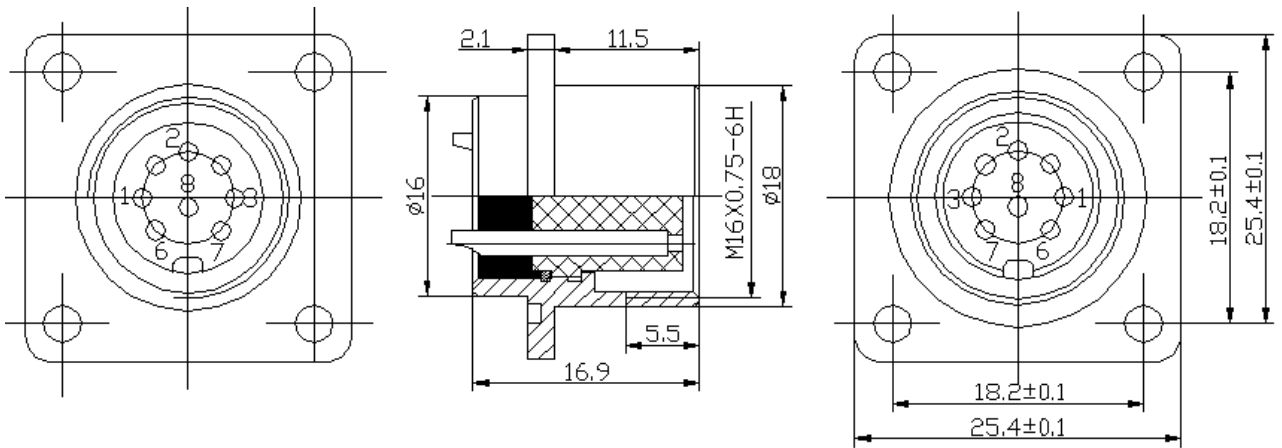
客户安装开孔3
Panel Cutout 3

6. Square Receptacle with solder contacts:FS1-8Z3J/8Z3K:

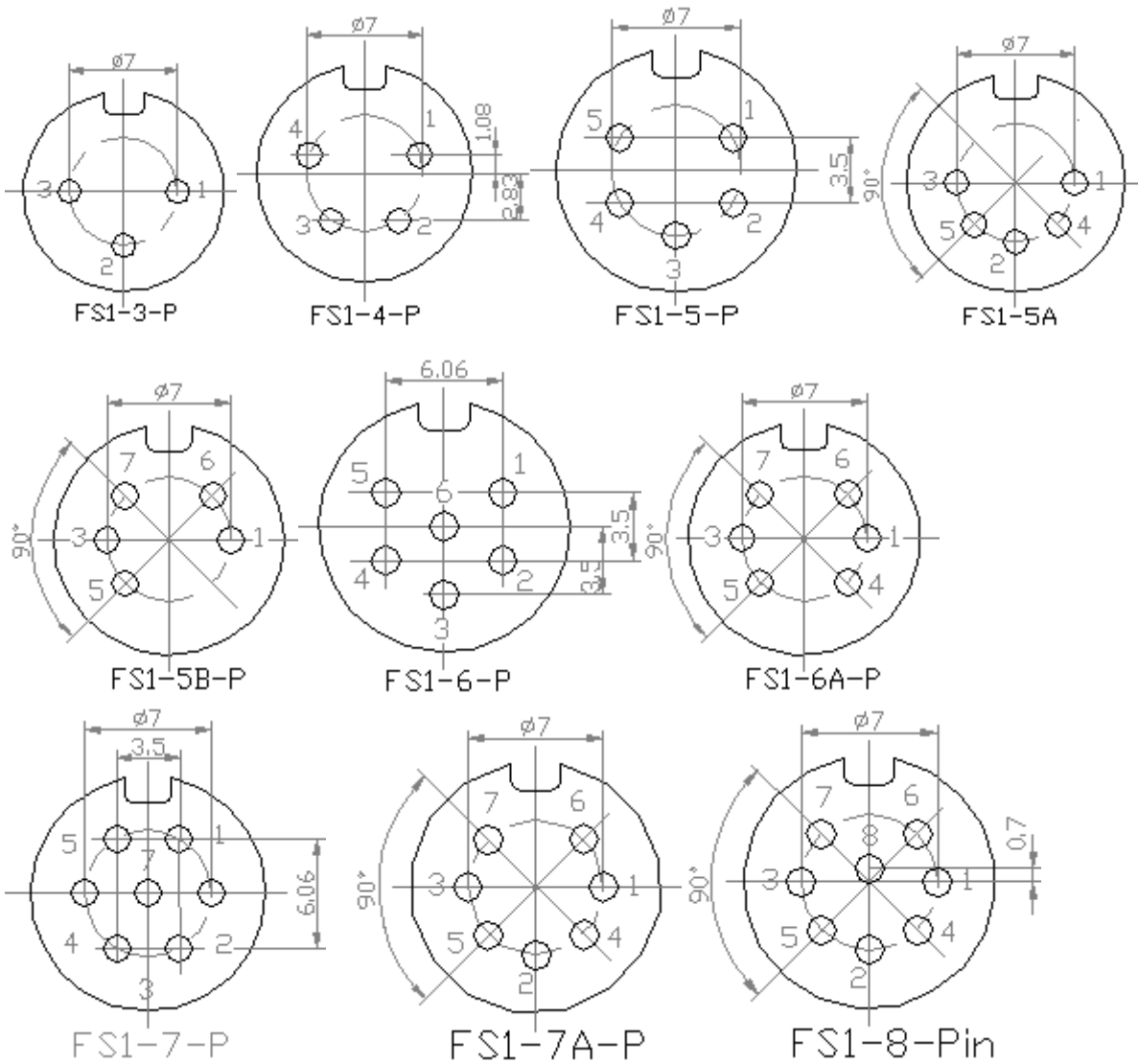


7. Special Small Square Receptacle with solder contacts:FS1-8Z3K-S1/FS1-8Z3K-S2:





8. The contacts arrangement:





AISG cable:

Type	Amphenol Type	Cable Length
AISG-KP-0.5	CA 091 6 0 2000 950	0.5m
AISG-KP-1	CA 091 60 2000 001	1m
AISG-KP-1.5		1.5m
AISG-KP-2	CA 091 60 2000 002	2m
AISG-KP-3	CA 091 60 2000 003	3m
AISG-KP-4	CA 091 60 2000 004	4m
AISG-KP-5	CA 091 60 2000 005	5m
AISG-KP-6	CA 091 60 2000 006	6m
AISG-KP-7	CA 091 60 2000 007	7m
AISG-KP-8	CA 091 60 2000 008	8m
AISG-KP-9	CA 091 60 2000 009	9m
AISG-KP-10	CA 091 60 2000 010	10m
AISG-KP-11	CA 091 60 2000 011	11m
AISG-KP-12	CA 091 60 2000 012	12m
AISG-KP-13	CA 091 60 2000 013	13m
AISG-KP-14	CA 091 60 2000 014	14m
AISG-KP-15	CA 091 60 2000 015	15m
AISG-KP-16	CA 091 60 2000 016	16m
AISG-KP-17	CA 091 60 2000 017	17m
AISG-KP-18	CA 091 60 2000 018	18m
AISG-KP-19	CA 091 60 2000 019	19m
AISG-KP-20	CA 091 60 2000 020	20m
AISG-KP-30	CA 091 60 2000 030	30m
AISG-KP-40	CA 091 60 2000 040	40m
AISG-KP-50	CA 091 60 2000 050	50m
AISG-KP-60	CA 091 60 2000 060	60m
AISG-KP-70	CA 091 60 2000 070	70m
AISG-KP-80	CA 091 60 2000 080	80m
AISG-KP-90	CA 091 60 2000 090	90m
AISG-KP-95	CA 091 60 2000 095	95m
AISG-KP-100	CA 091 60 2000 100	100m
AISG-KP-105	CA 091 60 2000 105	105m
AISG-KP-150	CA 091 60 2000 150	150m

Note:Pls order with connector detail & your information detail.TKS!

Hangzhou Kaipu Electronic Technique Co.,Ltd. <http://WWW.KPUE.COM>

Tel: 86-571-85386101

Mobile: 13588034590

Fax: 86-571-85350139

E-mail: kaipu@126.com

Add:3F of 588-2 of Feijiatang Road, Hangzhou , Zhejiang, China. Postcode: 310004