

MIL-C-5015 Series circular connectors



Products introduction

MS series circular connectors are used extensively in line connections between electrical equipment, various instruments and meters. These connectors meet the standard MIL-DTL-5015, have the features of light weight, aluminium alloy material, wide range, threaded coupling, good sealing performance, resistance against corrosion, high conductivity and high dielectric strength. It's the ideal product to be used in various applications.

Product Ordering

MS 3106 A 16S - 1 S W

1 2 3 4 5 6 7

1. Name of series : MS series connectors
2. Type: 3100: Square flange receptacle with cable shell; 3101: circular flange receptacle with cable shell; 3102: Square flange receptacle; 3106: Plug; 3108: angled plug.
3. Degree: A: Entire, B: Can be released
4. Shell type: 8S, 10S, 12S, 14S, 16S, 18, 20, 22, 24, 28, 32, 36, 40
5. Contacts position type
6. Type of contacts : P: Pin, S: Socket
7. Key position: W, X, Y, Z, Without note: Normal position

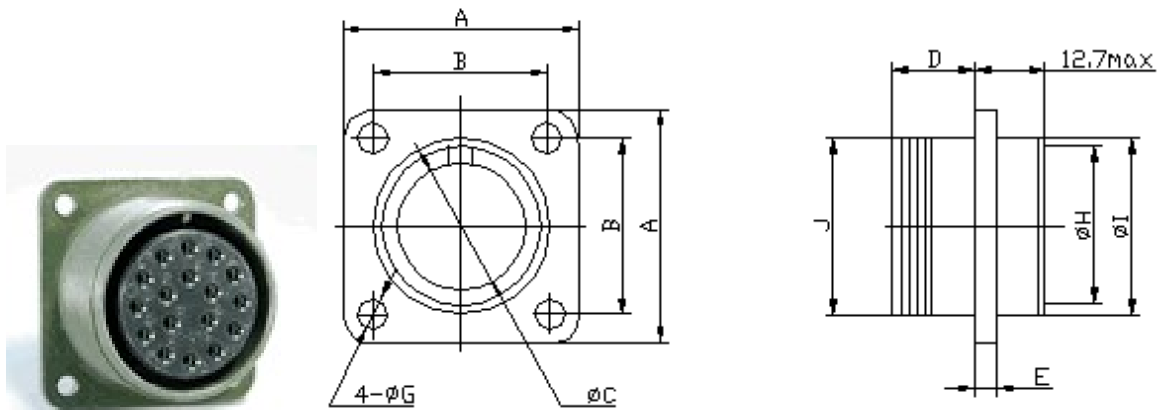
Technical characteristics

Temperature	Endurance	Environment	Voltage proof	Insulation resistance
-55° C ~ +125° C	500 cycles	Normal	2000V	≥3000MΩ

Contact type	Solder termination Ø	Current	Voltage	Contact resistance
16#	Ø2mm	13A	500V	≤1.1mΩ

12#	Ø3mm	23A	500V	≤0.6mΩ
8#	Ø5.2mm	46A		≤0.2mΩ
4#	Ø8.5mm	80A		≤0.1mΩ
0#	Ø11.8mm	150A		≤0.1mΩ

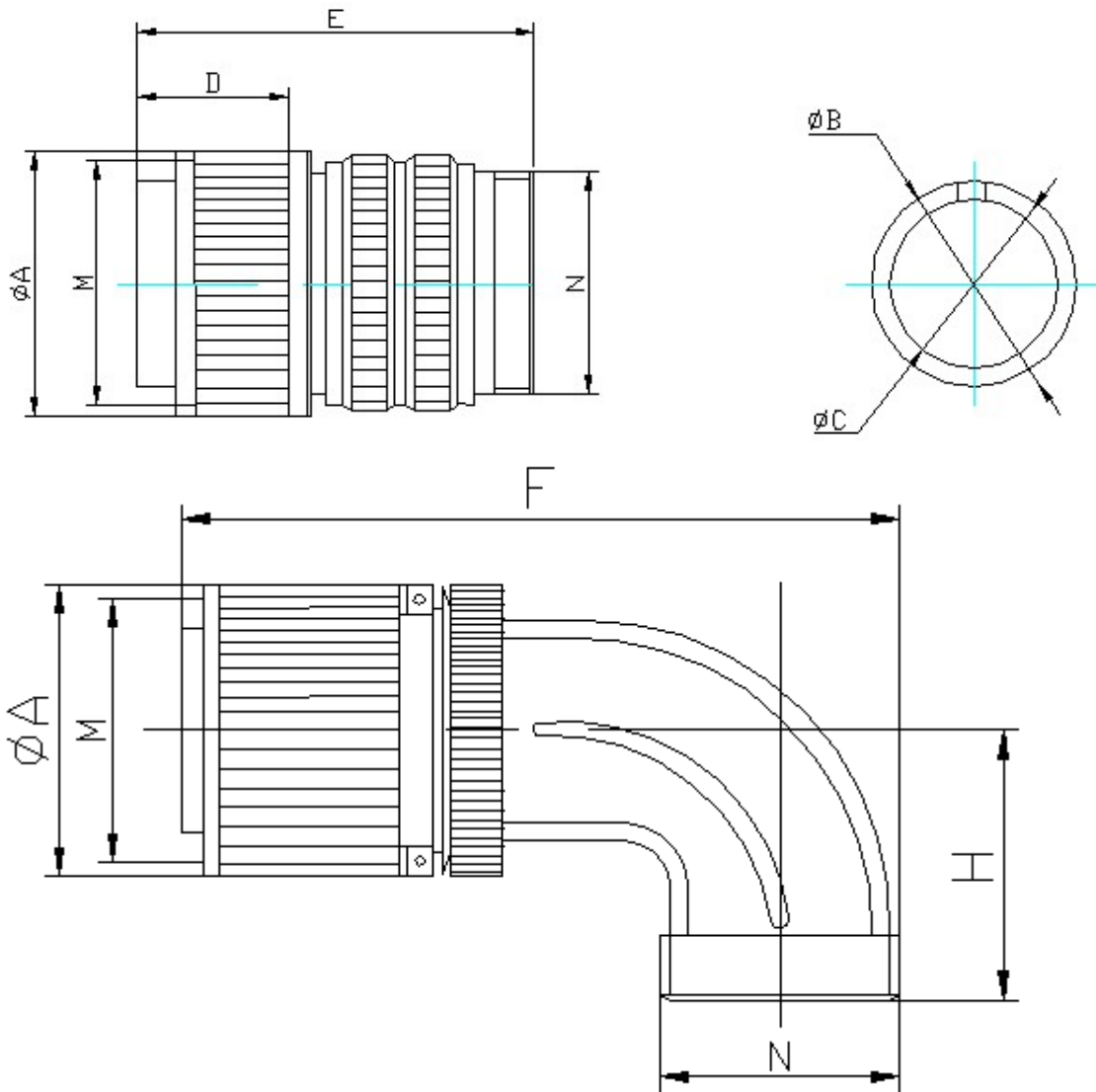
Dimensions and outlook



Shell	A	B	ΦC	D	E	ΦG	ΦI	ΦI(2)	J thread
8S	23	15.10	9.40	14.28	3	3.05	13.50	12	1/2-28UNEF
10SL	25.40	18.26	11.38				16.66	15.4	5/8-24UNEF
12S	27.79	20.62	14.15				19.35	17	3/4-20UNEF
14S	30.18	23.01	17.33				23.01	21	7/8-20UNEF
16S	32.54	24.61	20.50				26.21	24	1-20 UNEF
18	34.93	26.97	23.68	19.05	4	3.05	29.36	25	1 1/8-18UNEF
20	38.10	29.36	26.88				32.56	29.30	1 1/4-18UNEF
22	41.28	31.75	30.03				35.71	31.10	1 3/8-18UNEF
24	44.45	34.93	33.20				20.63	37	1 1/2-18UNEF
28	50.80	39.67	38.77	20.63	22.23	4.39	45.26	43	1 3/4-18UNEF
32	57.15	44.45	45.12	51.61			49	2-18 UNS	
36	63.50	49.23	50.68	57.96			56	2 1/4-16 UN	
40	69.85	55.58	57.03	64.31			62	2 1/2-16 UN	

Dimensions





Shell	ΦA	ΦB	ΦC	E	F	H	M thread	N thread
10SL	24.61	11.17	8.21	38.88	44.45	25.40	$5/8$ -24 UNEF	$5/8$ -24 UNEF
12S	26.97	14.10	11.43	42.87	50.80	26.97	$3/4$ -20 UNEF	$5/8$ -24 UNEF
14S	29.36	17.15	13.37		53.97	28.57	$7/8$ -20 UNEF	$3/4$ -20 UNEF
16S	31.75	20.45	16.54		60.32	30.17	1-20 UNEF	$7/8$ -20 UNEF
18	34.13	23.62	19.72	52.37	68.27	33.32	$1\frac{1}{8}$ -18 UNEF	1-20 UNEF
20	37.31	26.67	23.68	55.57	76.98	34.92	$1\frac{1}{4}$ -18 UNEF	$1\frac{3}{16}$ -18 UNEF
22	40.48	29.85	26.07	55.57	76.98	34.92	$1\frac{3}{8}$ -18 UNEF	$1\frac{3}{16}$ -18 UNEF
24	43.66	33.02	29.24	58.72	86.51	39.67	$1\frac{1}{2}$ -18 UNEF	$1\frac{7}{16}$ -18 UNEF
28	50.01	38.61	34.80	58.72	86.51	39.67	$1\frac{3}{4}$ -18 UNEF	$1\frac{7}{16}$ -18 UNEF
32	56.36	44.96	41.15	61.92	95.25	47.62	2-18 UNS	$1\frac{3}{4}$ -18 UNS
36	62.71	50.29	46.69		100.02	52.37	$2\frac{1}{4}$ -16 UN	2-18 UNS
40	69.06	56.64	52.25		100.02	53.97	$2\frac{1}{2}$ -16 UN	$2\frac{1}{4}$ -16 UNS



Cable clamp MS3057

Shell	Type	SLEEVE	M thread	Max cable OD
10SL	MS3057-4A	MS3420-4	$\frac{5}{8}$ -24 UNEF-2B	7.92
12S	MS3057-4A	MS3420-4	$\frac{5}{8}$ -24 UNEF-2B	7.92
14S	MS3057-6A	MS3420-6	$\frac{3}{4}$ -20 UNEF-2B	11.13
16S	MS3057-8A	MS3420-8	$\frac{7}{8}$ -20 UNEF-2B	14.27
18	MS3057-10A	MS3420-10	1-20 UNEF-2B	15.88
20	MS3057-12A	MS3420-12	$1\frac{3}{16}$ -18 UNEF-2B	19.05
22	MS3057-12A	MS3420-12	$1\frac{3}{16}$ -18 UNEF-2B	19.05
24	MS3057-16A	MS3420-16,-12	$1\frac{7}{16}$ -18 UNEF-2B	23.83
28	MS3057-16A	MS3420-16,-12	$1\frac{7}{16}$ -18 UNEF-2B	23.83
32	MS3057-20A	MS3420-20,-16	$1\frac{3}{4}$ -18 UNS-2B	31.75
36	MS3057-24A	MS3420-24,-20	2-18 UNS-2B	34.92
40	MS3057-28A	MS3420-28,-24,20	$2\frac{1}{4}$ -16 UNS-2B	41.28

Contacts position type

Position type	Number, type of contacts	Position type	Number, type of contacts	Position type	Number, type of contacts
12S-3	2-16#	20-3	3-12#	22-12	3-16#, 2-8#
14S-2	4-16#	20-4	4-12#	22-13	1-16#, 4-12#
14S-5	5-16#	20-7	8-16#	22-14	19-16#
14S-6	6-16#	20-8	4-16#, 2-8#	22-15	1-16#, 5-12#
14S-9	2-16#	20-14	3-12#, 2-8#	22-17	8-16#, 1-12#
16S-1	7-16#	20-15	7-12#	22-18	8-16#
16S-5	3-16#	20-16	7-16#, 2-12#	22-19	14-16#
16S-8	5-16#	20-17	1-16#, 5-12#	22-20	9-16#
16-10	3-12#	20-18	6-16#, 3-12#	22-22	4-8#
18-1	10-16#	20-19	3-8#	22-23	8-12#
18-3	2-12#	20-22	3-16#, 3-8#	22-27	8-16#, 1-8#
18-4	4-16#	20-23	2-8#	22-28	7-12#
18-5	1-16#, 2-12#	20-24	2-16#, 2-8#	24-2	7-12#
18-8	7-16#, 1-12#	20-27	14-16#	24-5	16-16#

18-9	5-16#, 2-12#	20-29	17-16#	24-6	8-12#
18-10	4-12#	22-2	3-8#	24-7	14-16#, 2-12#
18-11	5-12#	22-4	2-12#, 2-8#	24-10	7-8#
18-12	6-12#	22-5	4-16#, 2-12#	24-11	6-12#, 3-8#
18-13	3-12#, 1-8#	22-6	1-16#, 2-8#	24-20	9-16#, 2-12#
18-15	4-12#	22-9	3-12#	24-22	4-8#
18-19	10-16#	22-10	4-16#	24-27	7-16#
18-20	5-16#	22-11	2-16#	24-28	24-16#
28-1	6-12#, 3-8#	*28-2	12-16#, 2-12#	28-9	6-12#, 6-16#
28-11	18-16#, 4-12#	28-12	26-16#	28-15	35-16#
28-16	20-16#	28-17	15-16#	28-19	6-16#
28-20	4-16#, 10-12#	28-21	37-16#	*28-22	3-16#, 3-4#
32-7	28-16#, 7-12#	32-8	24-16#, 6-12#	32-9	12-16#, 2-4#
32-17	4-4#	36-5	4-0#	36-8	40-16#, 1-12#
36-10	48-16#	36-15	35-16#	40-10	16-16#, 9-8#, 4-4#
40-56	85-16#	10SL-3	3-16#	10SL-4	2-16#
14S-A7	7-16#	14S-7	3-16#	12S-52	4-16#

Hangzhou Kaipu Electronic Technique Co.,Ltd. <http://www.kpue.com>
Tel: 0571-85386101 Mobile: 13588034590 Postcode:310004
Fax: 0571-85350139 E-mail: kaipu@126.com
Address: No. 588-2 Feijiatang Road of Xiacheng aera, Hangzhou, Zhejiang, China.