

FQX series circular connectors



Products introduction

FQX series circular connectors can be used in the water-proof place. We use the reliable cage clamp connection instead of the traditional wire spring. These connectors have the features of lower contact resistance, anti-libration, shock proof, water proof and strong seal etc. They are widely used for the electrical connection between electrical equipment. Meet CE, RoHS. Thread connect with the plug and receptacle.

Product Ordering

FQX 14 — 7 T K — 8
 1 2 3 4 5 6

1. Name of series: FQX
2. Shell size : 14、 18、 24、 30
3. Number of contacts: 1, 1A, 2, 3, 4, 4A, 5, 6, 6A, 7, 9, 10, 12, 13, 16, 19, 26, 32, 42, 55
4. T: Plug (TR: angled plug), TA: Plug with cable press pad, Z: flange mounting receptacle, ZP: cable receptacle, Z2: Receptacle with O ring, ZY: circular receptacle, ZPY: circular cable receptacle
5. Type of contacts: K: socket, J: pin
6. Wire gauge: 5, 6, 7, 8, 9, 10, 12, 14, 16, 18

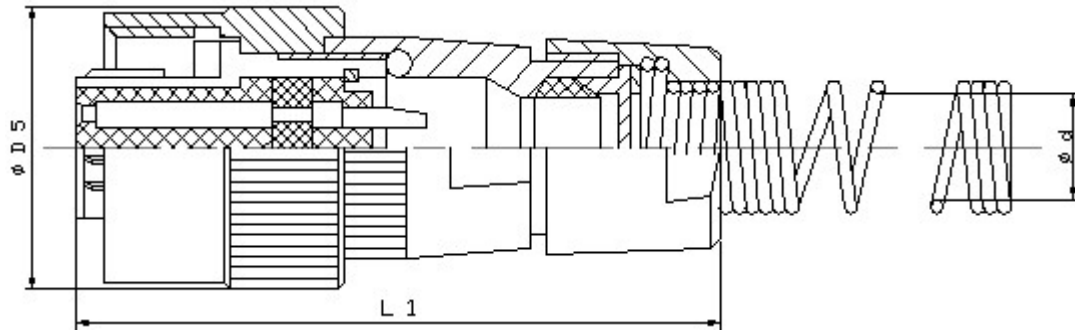
Technical characteristics

The connector is allowed to submerged in 1m deep water for 60min. (Ip68)

Temperature	Relative humidity	Atmosphere	Vibration	Shock
-55° C~+85° C	(90~96)% at 40° C	4.4KPa	10~200Hz, 150m/s ²	490m/s ²
Current	Voltage	Contact resistance	Endurance	
1A~3A	110V	≤15mΩ	500cycles	
2A~5A	250V	≤10mΩ		
10A~25A	400V	≤5mΩ		
35A~45A	400V	≤2mΩ		
95A	400	≤1mΩ		

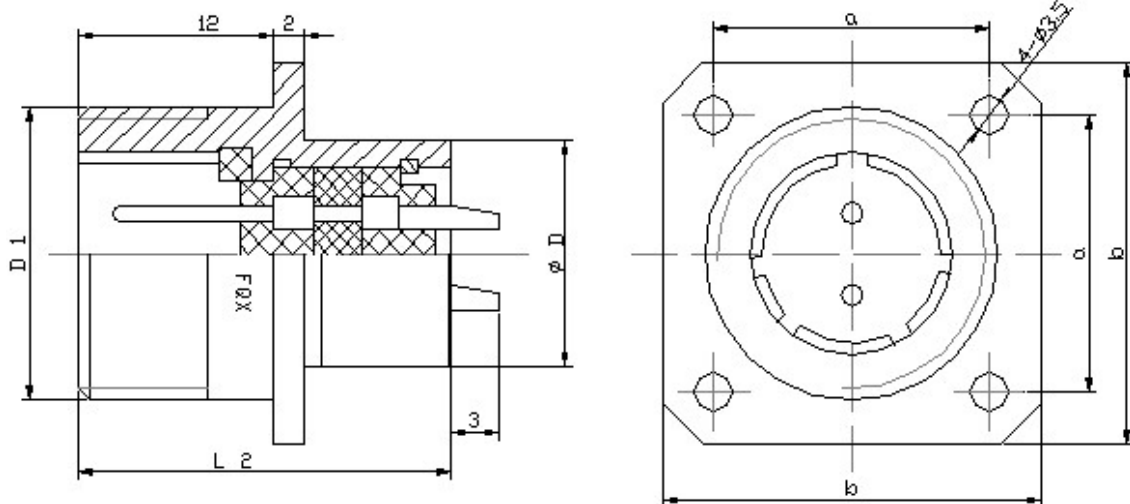
Environment	Voltage proof	Insulation resistance
Normal	1200V	$\geq 1000M\Omega$
High temperature	1000V	$\geq 500M\Omega$
Moisture	800V	$\geq 100M\Omega$
Low pressure	400V	-

Product Dimensions (Plug, Flange mounting receptacle)

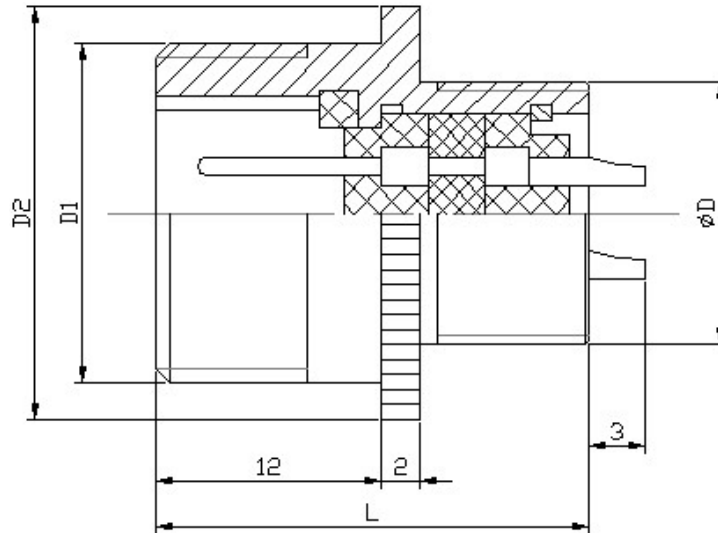


Type	D5	L1	Cable sleeve ϕd
FQX14	$\phi 21$	50	$\phi 5, 6, 7, 8, 9$
FQX18	$\phi 27$	55	$\phi 6, 7, 8, 9, 10, 12$
FQX24	$\phi 33$	60	$\phi 6, 10, 12, 14$
FQX30	$\phi 39$	65	$\phi 10, 12, 14, 16, 18$

Receptacle: FQX-Z

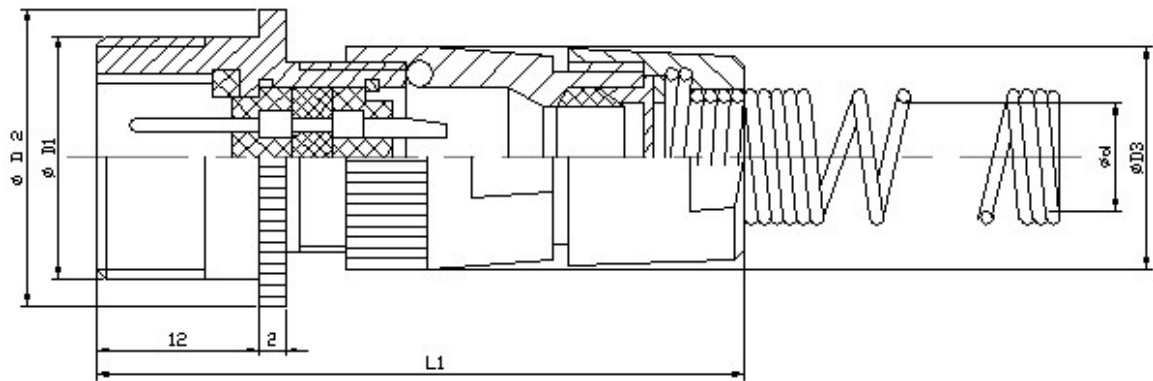


Type	a	b	D	D1	L2=L	D2
FQX14	$17_{+0.2}$	24	$\phi 14$	M18X1.5	23	$\phi 22$
FQX18	$20_{+0.2}$	27	$\phi 18$	M22X1.5	23.5	$\phi 25$
FQX24	$26_{+0.2}$	33	$\phi 24$	M28X1.5		$\phi 33$
FQX30	$31_{+0.1}$	38	$\phi 30$	M34X1.5		$\phi 39$



FQX-ZY:

Cable receptacle:FQX-ZPY



Type	Ø D1	Ø D2	Ø D3	L1	Cable sleeve Ø d
FQX14	M18X1.5	22	16.5	50	5, 6, 7, 8, 9
FQX18	M22X1.5	25	22.5	55	6, 7, 8, 9, 10, 12
FQX24	M28X1.5	33	29	60	6, 10, 12, 14
FQX30	M34X1.5	39	35	65	10, 12, 14, 16, 18

Contacts number

Type	Number	Contact Ø &Current	Type	Number	Contact Ø &Current
FQX14	2,3	1.5 ,10A/400V	FQX24	1	1.5, 10A/3000V
	4	1.5 ,10A/250V		2,3	3.5, 45A/400V
	5,6,7	1.0, 3A/250V		4A, 6A	3.0, 35A/400V

	9,10	0.8, 2A/110V		4,6	2.5, 25A/400V
	13	0.7, 1A/110V		10	1.5,10A/400V
FQX18	1	1.5, 10A/2000V		19	1.0 ,3A/250V
FQX18	1A	5.5, 95A/400V	FQX24	26	1.0 ,3A/110V
	2	2.5, 25A/400V	FQX30	2	5.5 ,95A/400V
	3, 4	1.5, 10A/400V		9	2.5 ,25A/400V
	5,6,7	1.5, 10A/250V		16	2 , 16A/400V
	12	1.0 ,3A/250V		32	1.0 ,3A/400V
FQX30	55	1.0 ,2A/110V		42	1.0 ,3A/250V

Hangzhou Kaipu Electronic Technique Co.,Ltd. <http://WWW.KPUE.COM>
 Hangzhou Kaipu Connector Electronic Co.,Ltd. <http://WWW.KPUE.COM>
 Tel: 86-571-85386101 Mobile: 13588034590
 Fax: 86-571-85350139 E-mail: hzkaipu@126.com//kaipu@126.com
 Add:3F of 588-2 of Feijiatang Road, Hangzhou , Zhejiang, China. Postcode:310004