

KP30 series small connector



KP30 series circular connectors have the features of small size, light weight, convenient application with threaded-coupling connection. It can be interchanged with Russian type PC, They are widely used for the electrical connection between electrical equipments and instruments.

Product Ordering

$$\begin{array}{cccccc} \text{KP} & - & \underline{4} & \underline{T} & \underline{P} & \underline{K} \\ 1 & & 2 & 3 & 4 & 5 \end{array}$$

1. Name: PC series connectors
2. Number of contacts: 4, 7, 10, 19, 32
3. T: plug, Z: receptacle;
4. P: Cable shell, TP: Cable plug, ZP: cable receptacle;
5. K: female socket, J: Male pin.

Technical characteristics

Temperature	Relative humidity	Atmosphere	Vibration	Shock	Endurance
-40°C~ +105°C	(92~98)%, at 40±2° C	101.33KPa~6.67Pa	10~2000Hz, 196m/s ²	392m/s ²	500 cycles

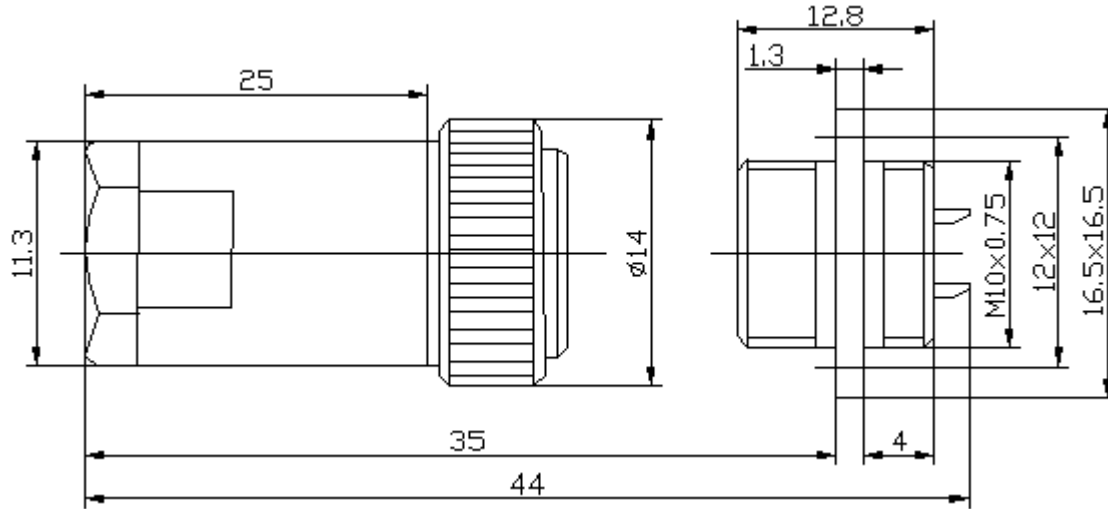
Current	Voltage	Contact resistance	Contact \emptyset
3A	200V	≤8mΩ	Ø1mm

Environment	Voltage proof	Insulation resistance
Normal	1000V	≥1000MΩ
High temperature	700V	≥500MΩ
Moisture	500V	≥50MΩ
Low pressure	200V	-

Dimensions



KP30-4TPK/ZJ picture:



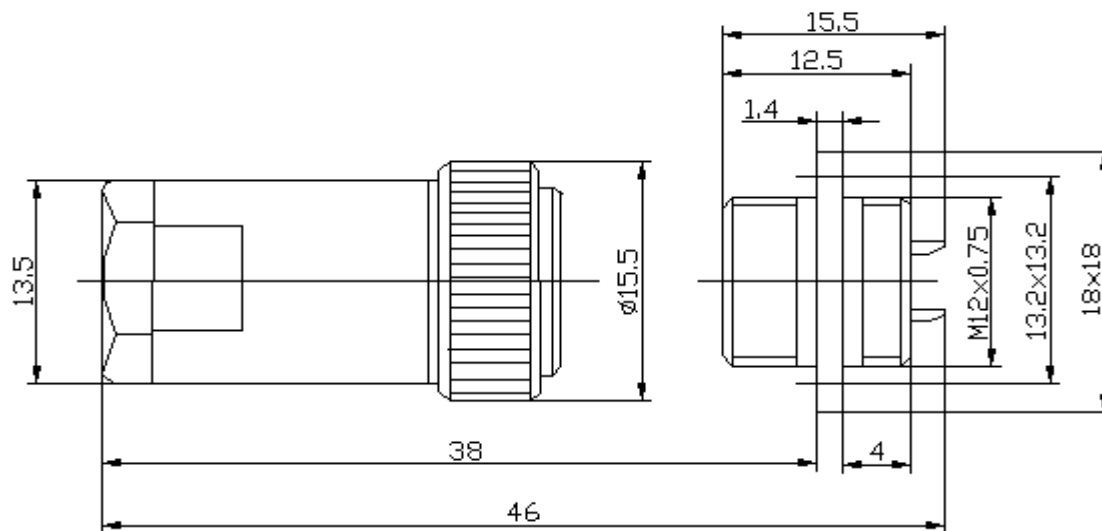
KP30-4TK picture:



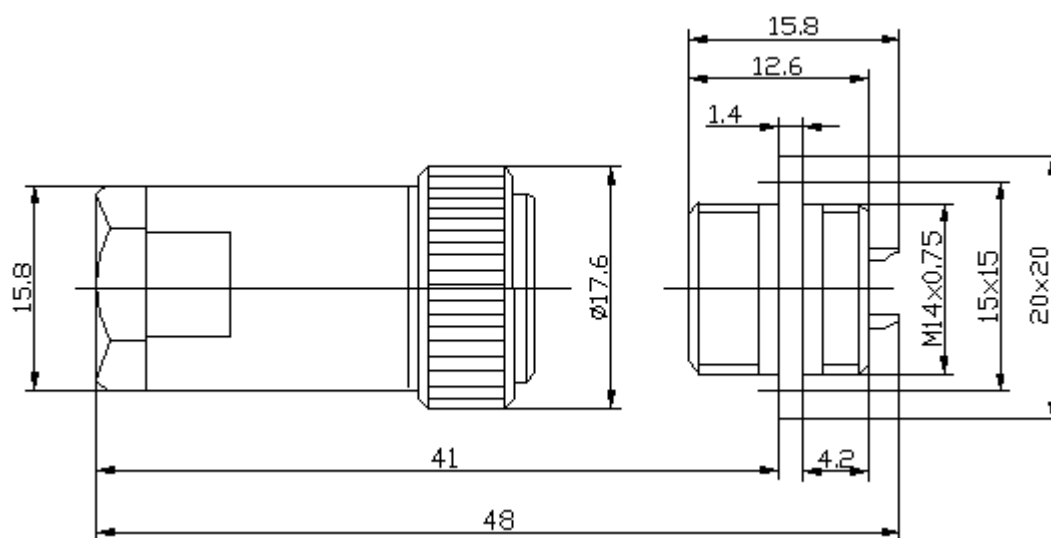
KP30 series shell picture:



KP30-7TPK/ZJ

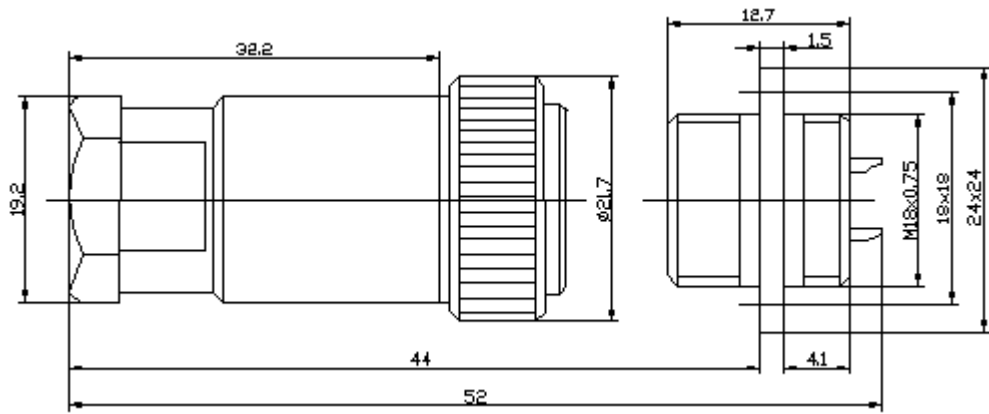


KP30-10TPK/ZJ

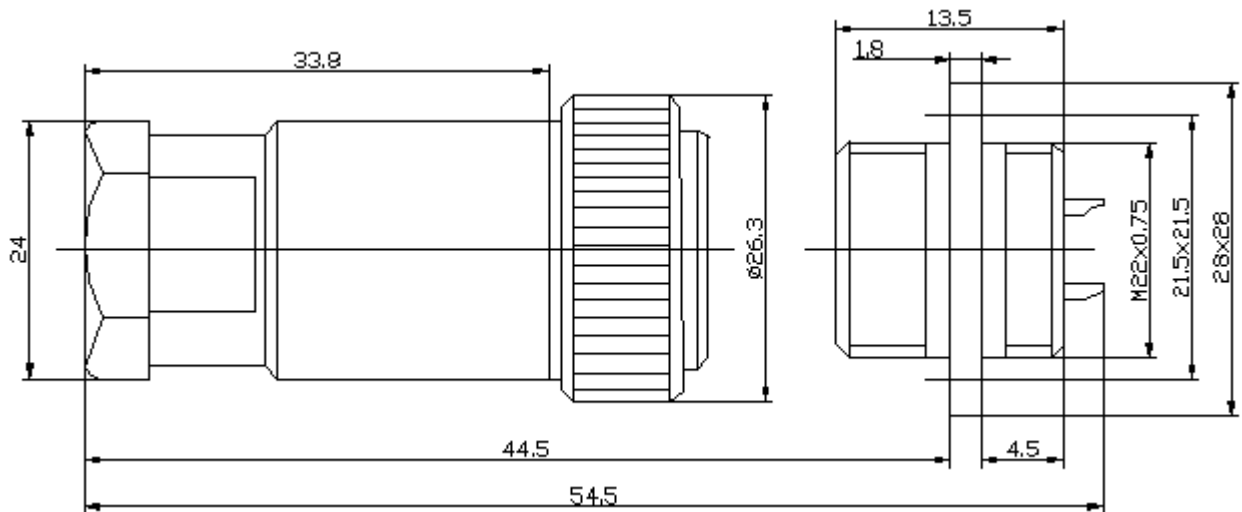


KP30-19TPK/ZJ





KP30-32TPK/ZJ



Hangzhou Kaipu E-T. CO.,LTD. 86-571-85350139(fax) 85386101 hzkaipu@126.com