

FQ series circular connectors



Products introduction

FQ series circular connectors can be used in the water-proof place. We use the reliable cage clamp connection instead of the traditional wire spring. These connectors have the features of lower contact resistance, anti-libration, shock proof, water proof and strong seal etc. They are widely used for the electrical connection between electrical equipment.. Our FQ series have four patents. No as: ZL201220380976. 2; ZL201420639646. 3; ZL201420639711. 9; ZL201420639680. 7

Product Ordering

FQ 14 — 7 T K — 8
 1 2 3 4 5 6

1. Name of series: FQ
2. Shell size : 14、 18、 24、 30
3. Number of contacts : 1,2,3,4,5,6,7,9,10,12,13,16,19,26,32,42,55
4. T: Plug(TR:Angled plug), Z: Square flange mounting receptacle, ZP: Cable receptacle, Z2: Receptacle with O ring, ZY: Circular receptacle.
5. Type of contacts: K: socket, J: pin
6. Wire gauge: 5,6,7,8,9,10,12,14,16,18

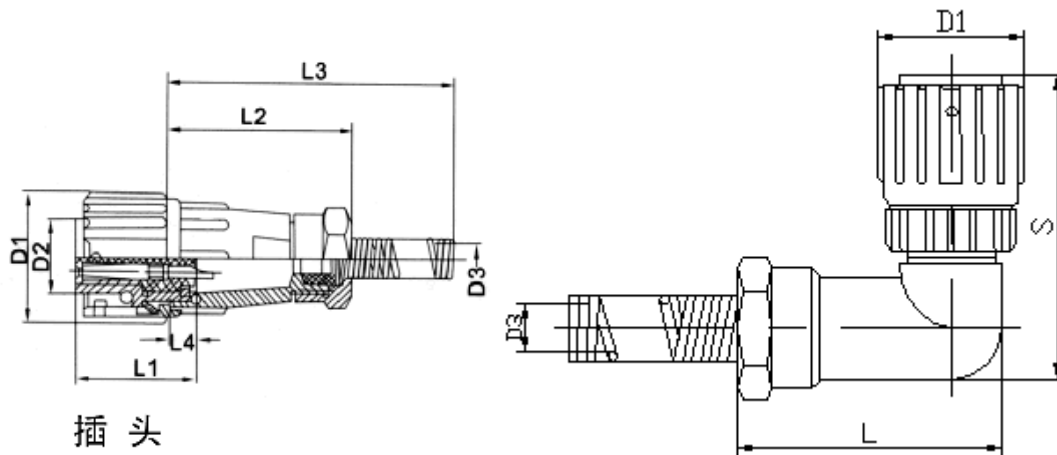
Technical characteristics

The connector is allowed to submerged in 1m deep water for 30min. (Ip67)

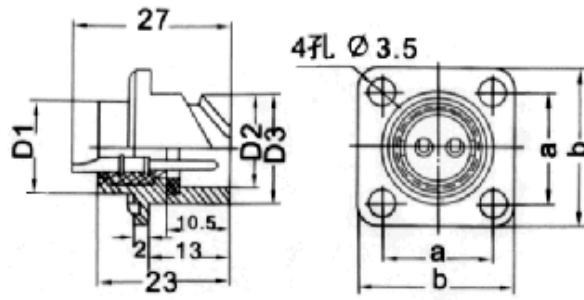
Temperature	Relative humidity	Atmosphere	Vibration	Shock
-55° C~+85° C	(90~96)% at40° C	4.4KPa	10~200Hz,150m/s ²	490m/s ²
Current	Voltage	Contact resistance	Endurance	
2A~5A	110V/250V	≤10mΩ	500cycles	
10A-25A	400V	≤5mΩ		
35-90A	400V	≤3mΩ		

Environment	Voltage proof	Insulation resistance
Normal	2000V For 400V	$\geq 5000M\Omega$
	1500V For 250V	$\geq 1000M\Omega$
	1000V For 110V	$\geq 1000M\Omega$
Moisture	1000V For 400V	$\geq 100M\Omega$
	750V For 250V	$\geq 20M\Omega$
	500V For 110V	$\geq 10M\Omega$
Low pressure	300V For 400V	-
	250V For 250V	
	180V For 110V	

Product Dimensions (Plug, Flange mounting receptacle)

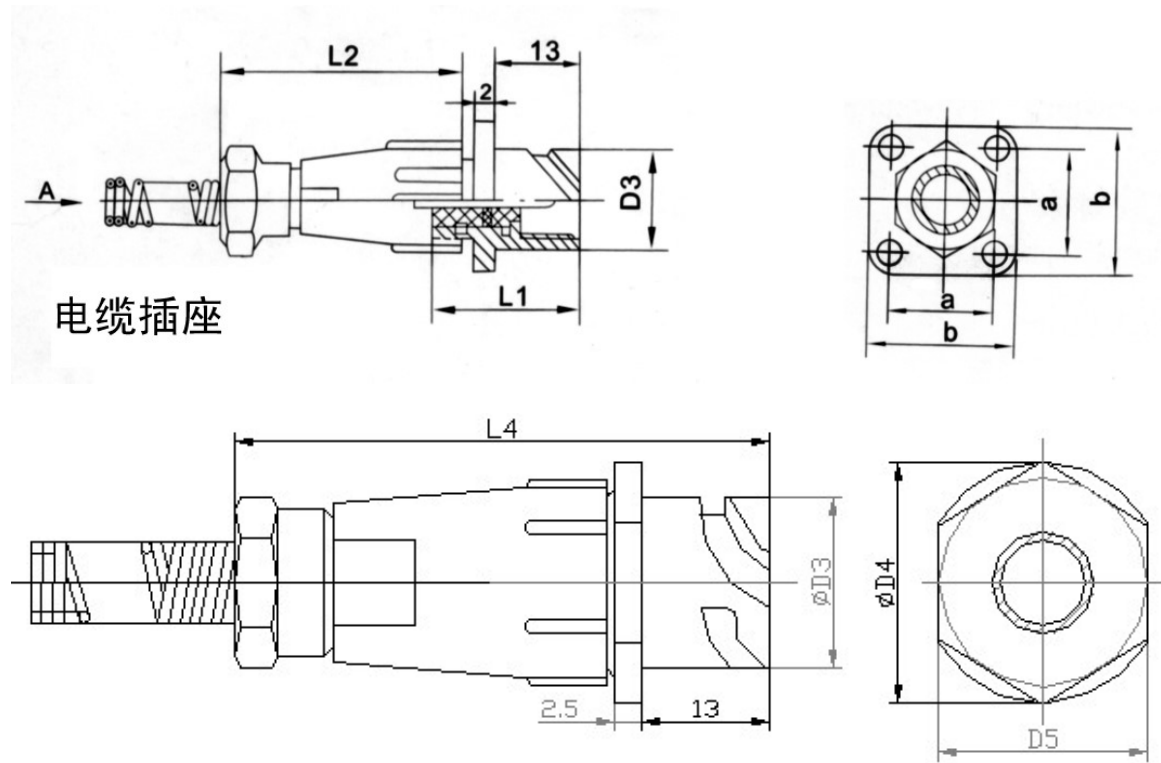


Type	D1	D2	L1	L4	Cable sleeve D3 \emptyset	L2	L3	S	L
FQ14	$\emptyset 21$	$\emptyset 12.2$	21	5.4	$\emptyset 5, 6, 7$	35	60	45	37
					$\emptyset 8$	35	65		
FQ18	$\emptyset 27$	$\emptyset 16.6$	21	5.4	$\emptyset 6, 7, 8$	38	64	45	39
					$\emptyset 9, 10, 12$	38	69		
FQ24	$\emptyset 33$	$\emptyset 22.6$	21	5.4	$\emptyset 6$	46	72	53	49
					$\emptyset 10, 12, 14$	46	77		
FQ30	$\emptyset 39.5$	$\emptyset 28.6$	21	5.4	$\emptyset 10, 12, 14, 16, 18$	51	92.5	57	52



Receptacle 插座

Type	a	b	D1	D2	D3 Ø
FQ14	17 _{+0.2}	24	Ø14	Ø12.2	16.8
FQ18	20 _{+0.2}	27	Ø18.4	Ø16.6	21.2
FQ24	26 _{+0.2}	33	Ø24.5	Ø22.6	27.2
FQ30	31 _{+0.1}	38	Ø30.2	Ø28.6	33.2



电缆插座

Cable receptacle

Type	D3 Ø	D4	D5	a	b	L1	Cable sleeve	L2	L4
FQ14	16.8	20.2	18	17	24	21	5, 6, 7, 8	35	53
FQ18	21.2	24.8	24	20	27	21	6, 7, 8, 9, 10, 12	38	55
FQ24	27.2	33.2	32	26	33	21	6, 10, 12, 14	46	66
FQ30	33.2	40.2	38	31	38	21	10, 12, 14, 16, 18	51	68

Contacts number arrangement

Type	Number	Contact Ø &Current	Type	Number	Contact Ø &Current	
FQ14	2,3	1.5 ,10A/400V	FQ24	1	1.5,10A/3000V	
	4	1.5 ,10A/250V		2,3	3.5,45A/400V	
	5,6,7	1.0, 3A/250V		4,6	2.5, 25A/400V	
	9,10	0.8, 2A/110V		4A,6A	3.0, 35A/400V	
	13	0.7, 2A/110V		10	1.5,10A/400V	
FQ18	1	1.5, 10A/2000V		19	1.0 ,3A/250V	
	1A	5.5, 95A/400V		26	1.0 ,3A/110V	
	2	2.5, 25A/400V		FQ30	2	5.5 , 95A/400V
	3,4	1.5, 10A/400V			9	2.5 ,25A/400V
	5,6,7	1.5, 10A/250V			16	2 , 16A/400V
	12	1.0 ,3A/250V	32		1.0 , 3A/400V	
FQ30	55	1.0 ,3A/110V	42		1.0 , 3A/250V	

Hangzhou Kaipu Electronic Technique Co.,Ltd. <http://WWW.KPUE.COM>

Hangzhou Kaipu Connector Electronic Co.,Ltd. <http://WWW.KPUE.COM>

Tel: 86-571-85386101 Mobile: 13588034590

Fax: 86-571-85350139 E-mail: hzkaipu@126.com

Add:3F of 588-2 of Feijiatang Road, Hangzhou , Zhejiang, China. Postcode:310004