

# KP32 series water-proof connectors



## 1. Products introduction

KP32 series circular connectors made of plastic shell, It can be used in the water-proof place. It has new type contacts - schrauben contacts. These connectors have the features of lower contact resistance, anti-libration, shock proof, water proof etc. They are widely used for the electrical connection between electrical equipment. It has protection IP67, It can be interchanged with Binder's series 693 & amphenol's C16, UL 94 V-0. UL file: E308558. CYJV CABLE ASSY, KP32 have patent: ZL201220362688.4. Meet CE.

## 2. Product Ordering

$\frac{KP}{1}$      $\frac{32}{2}$      $\frac{4}{3}$      $\frac{T}{4}$      $\frac{8}{5}$

1. Name of series:            **KP**
2. Design No. :              **32**
3. Number of contacts:    **2,3,4,7**
4. T: Plug with pins, TK: Plug with sockets, ZM: M25X1.5 receptacle with sockets, Z1: receptacle with sockets with no screw; Z1J: receptacle with pins.
5. Wire gauge:                **6,7,8, 9,10,11,12**

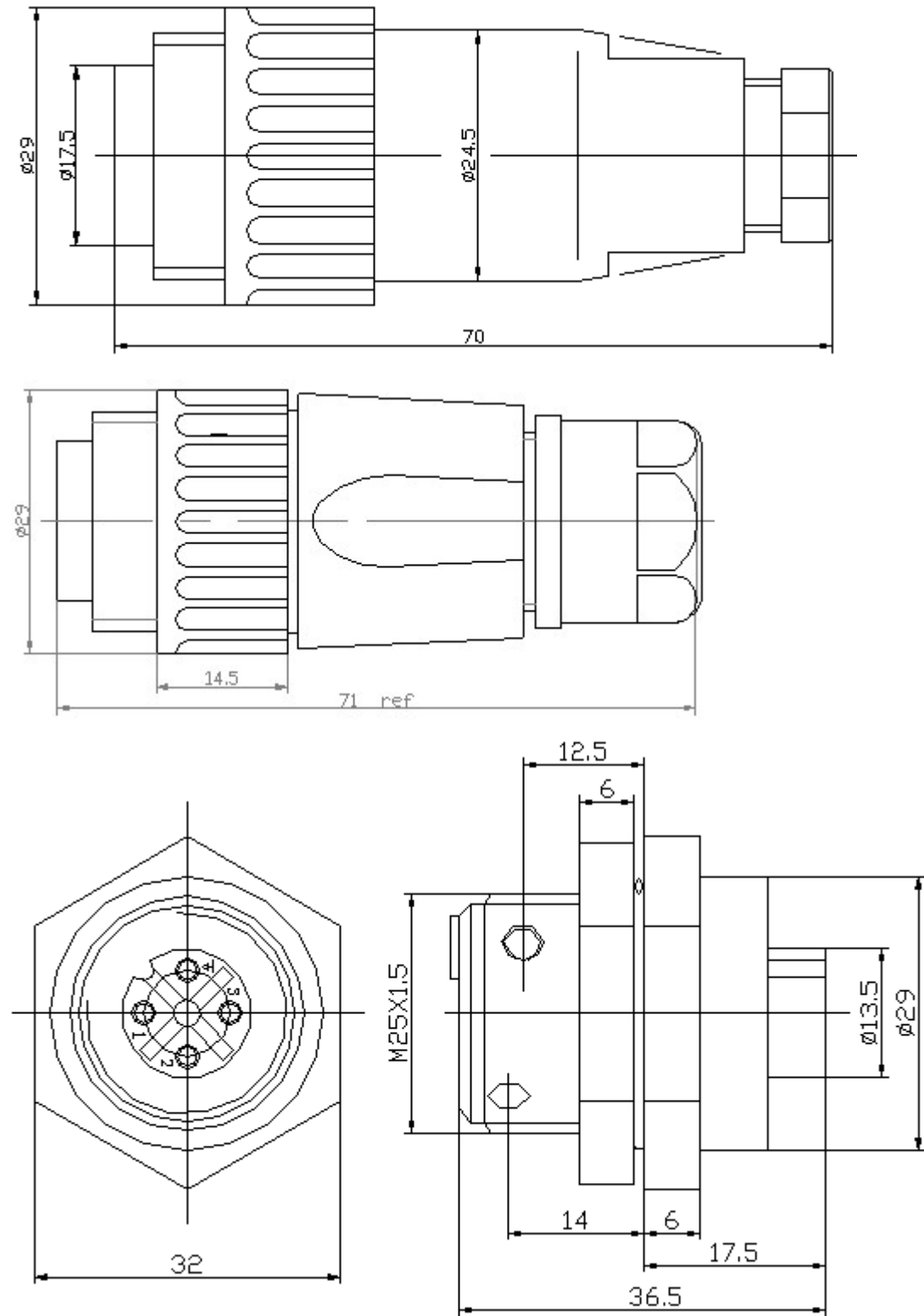
## 3. Technical characteristics

Temperature	Relative humidity	Atmosphere	Vibration	Shock
-40°C~+100°C	(90~96)% at40°C	101Kpa~6.67Pa	50~500Hz,100m/s <sup>2</sup>	200m/s <sup>2</sup>
Current	Cable size	Voltage	Contact resistance	Endurance
16A,15A-UL	14AWG	400VAC	≤5mΩ	500cycles
12A-UL	14AWG	600VAC		
10A,7A-UL	18AGW	250VAC		

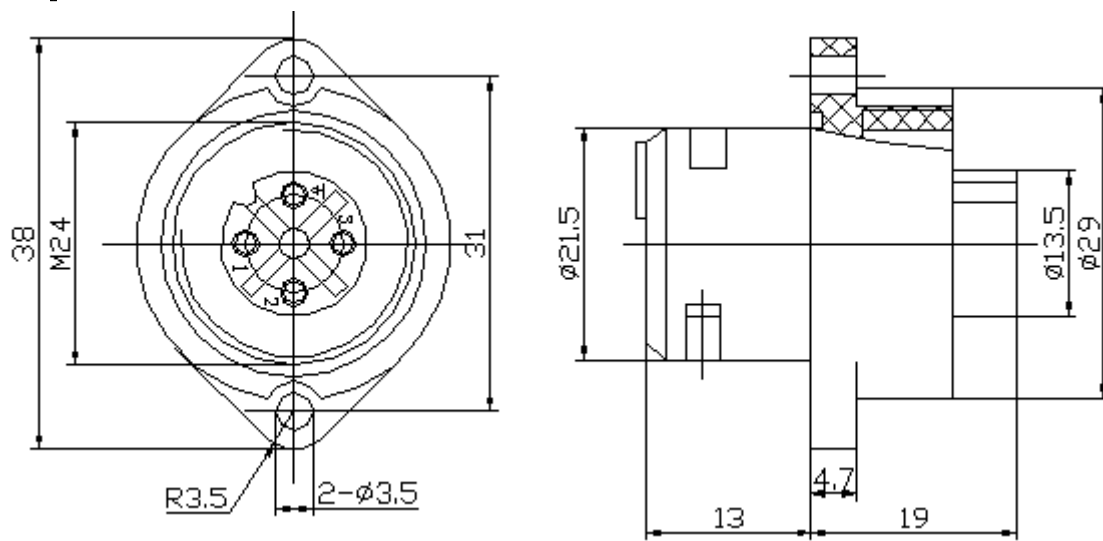
Environment	Voltage proof	Insulation resistance
Normal	2500V	≥5000MΩ

## 4. Dimensions

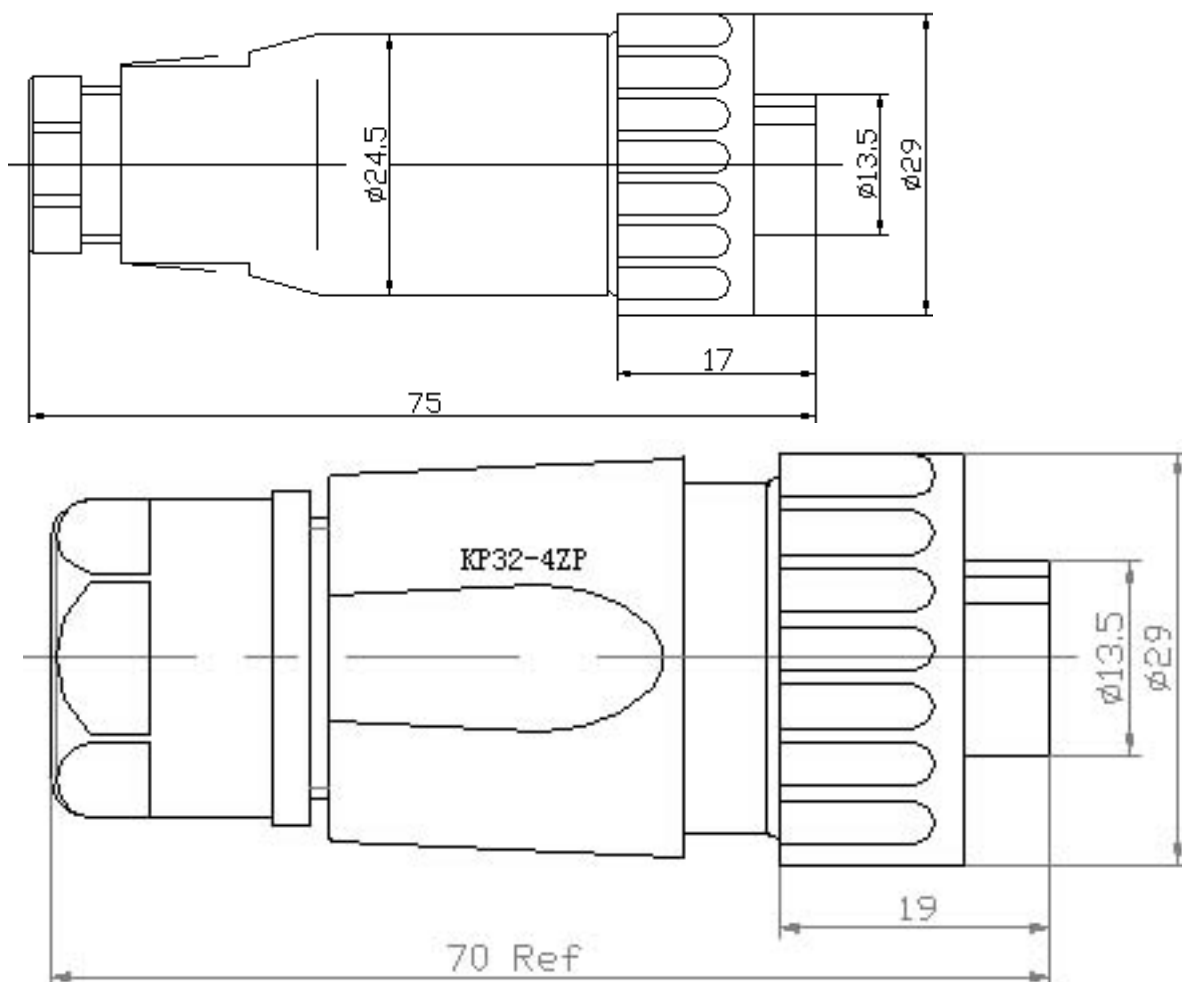
Plug with pins + M25X1.5 Receptacle with sockets:KP32-T+4ZM



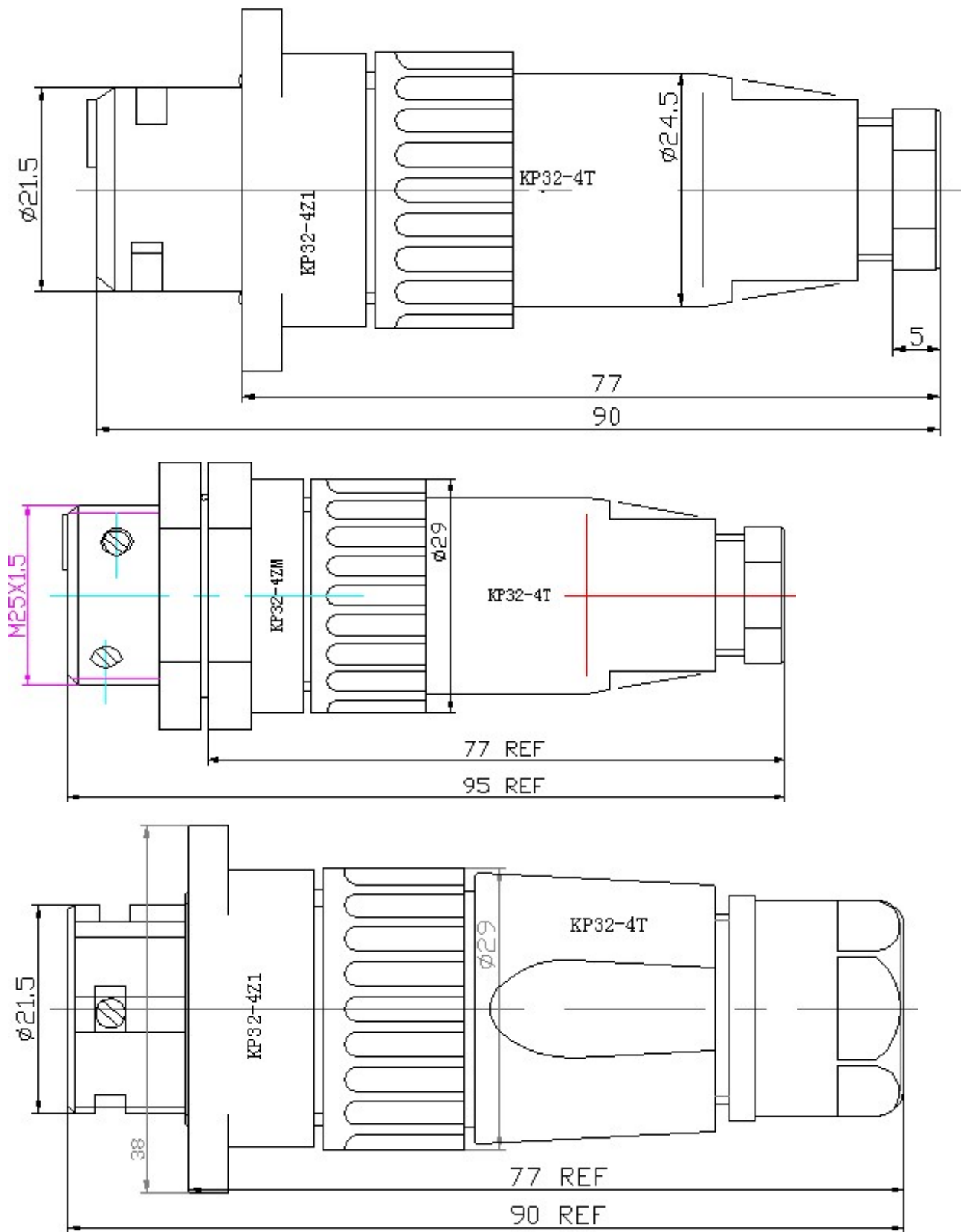
Receptacle with no screw: KP32-4Z1

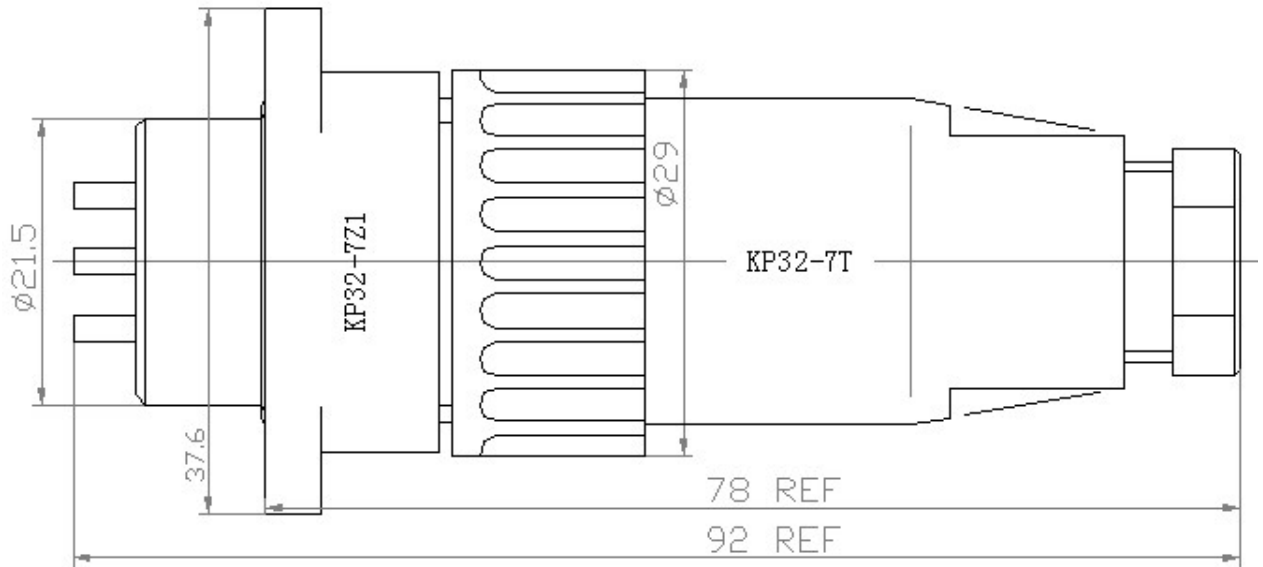
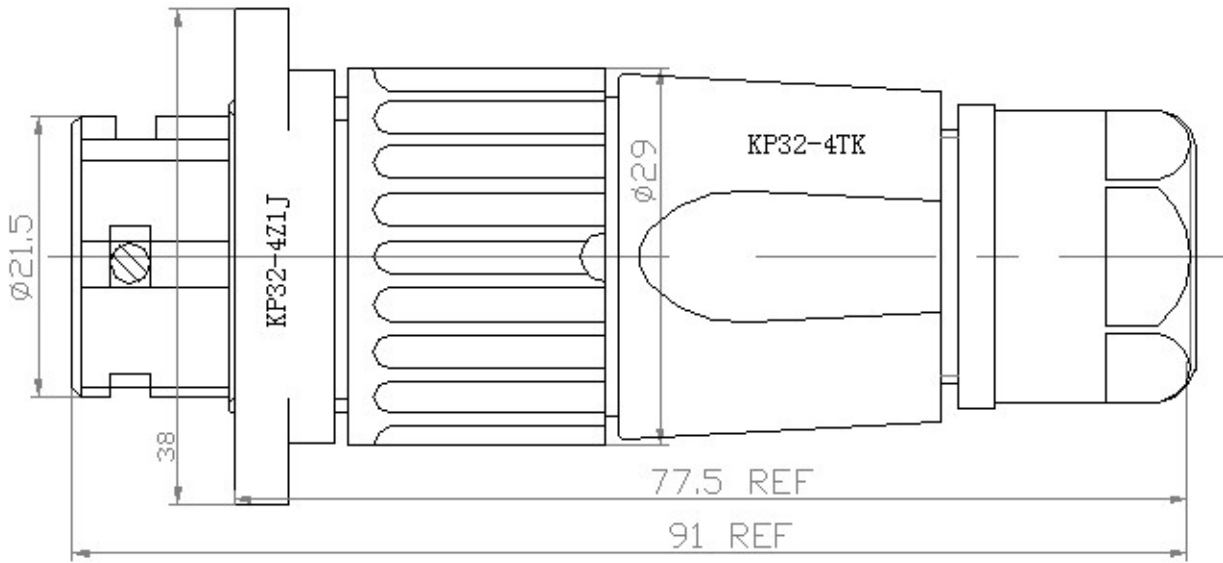


Cabel receptacle: KP32-4ZP

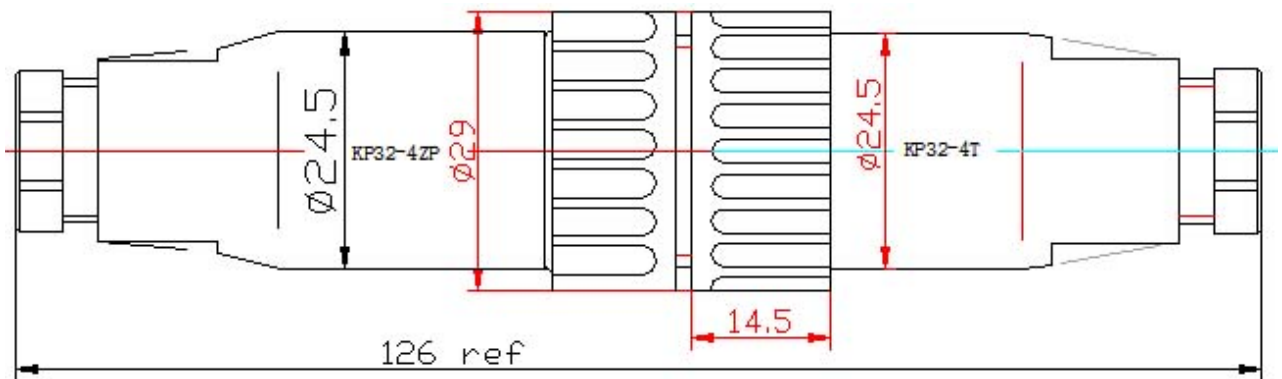


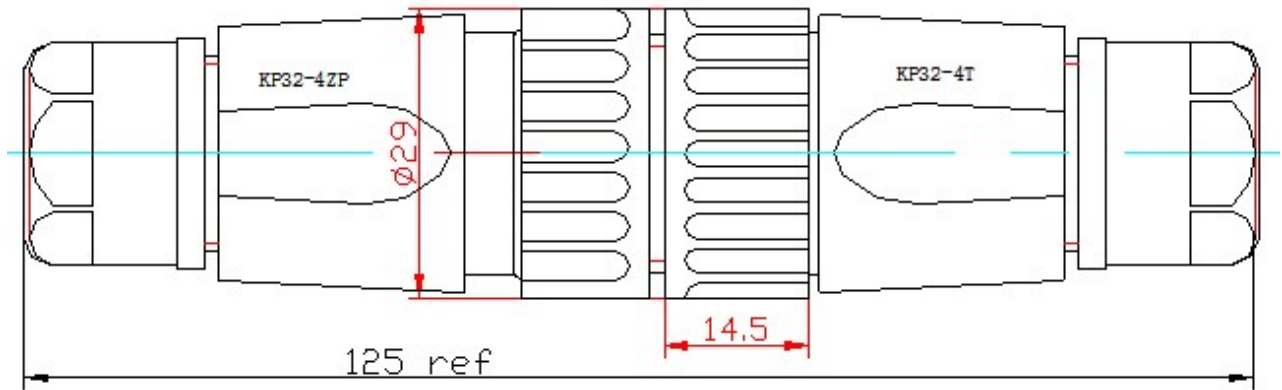
Plug with receptacle:





Cable plug to cable receptacle





### 5. material:

Contacts	HPb59-1 brass	Plastic parts	PA66 UL 94 V-0
Contact & screw plating	Ag(Silver)	Seal rubber & O ring	Silicon Rubber
Contacts screw	Steel plate nickel	Cable clipper	H62 brass

### 6. Torque:

Wire to contacts Use M3	0.6-0.8Nm	Wire to contacts Use slotted M3	0.6-0.8Nm
Plug to Plug	0.5-0.8Nm	Press the cable	1-1.2Nm
Plug to receptacle	0.5-0.8Nm	Panel mounting of ZM use M25	0.8-1Nm
Cable sleeve to the connector body	0.4-0.6 Nm	Panel mounting of Z1 use M3	0.6-0.8Nm

About the wires: Stripping length for each individual wire size of 6.5 mm(For:KP32-2,3,4).

**CAUTION: NOT FOR INTERRUPTING CURRENT.**

**Risk Of Electric Shock. Do not disconnect while female cable fitting is submerged.**

**ATTENTION: NE PAS UTILISER POUR COUPER LE COURANT.risque de choc électrique.ne pas débrancher , tandis que chez le cable installation est submergée.**