

15. MIL-26482 I series circular connectors



MIL-26482 I series circular connectors are inner pin locked type for British system, military quality, featuring quick connection and separation, small volume, light weight, good sealing and anti-tensile performance. The type of terminations include soldered and crimped, shielded and nonshielded housing, straight and bent cable outlet ends, ordinary, high vacuum and high pressure sealing. It's specification meet the requirements of GJB101A, GJB598A, MIL-C-26482G standard. They are widely used for energy and signal connections in strategic and tactical systems and field operations.

Product ordering

MS / 3116 / A- / 10 / 6 / P / N
 1 / 2 / 3 / 4 / 5 / 6 / 7

1. Product name: MIL-26482 I series circular connectors
2. Type 3110 (KP10): Wall mounting square cable receptacle; 3111 (KP11): Circular cable receptacle; 3112 (KP12): Box mounting receptacle; 3114A (KP14): Jam nut receptacle; 3114E/F (KP17): Jam nut receptacle with thread end; 3116 (KP16): Straight cable plug; 3118 (KP18): 90 degree cable plug;
3. Structure: A: ordinary plastic insert, E: rubber sealing insert.
4. Shell: 08, 10, 12, 14, 16, 18, 20, 22, 24
5. Contacts: 2-61
6. Type: P: Male pin, S: Female socket, PS: thru bulkhead receptacle, pin+socket.
7. Key position: N: Normal no mark, X, Y, Z, W.

. Technical characteristics

Mould: Tested as per provisions in 4.16 of GJB598A; Saline fog: Tested as per provisions in 4.17 of GJB598A; Rainproof: Tested as per provisions in 4.15 of GJB598A.

Temperature	Relative humidity	Atmosphere	Vibration	Impact	Shock	Endurance
-55° C~ +125° C	(92~98) % at 40 ± 2° C	101.33KPa~ 4.39KPa	10~2000Hz, 196m/s ²	980.7 m/s ²	392m/s ²	500cycles

Air tightness: not greater than 6×10^{-2} PaL/S for ordinary, not greater than 1×10^{-5} PaL/S for glass sealed.

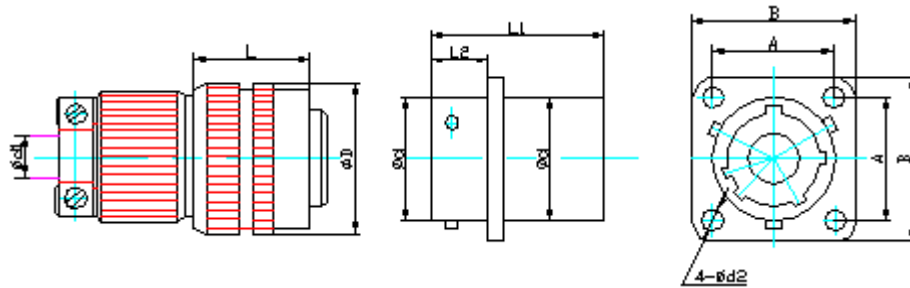
Contact diameter	Current	Voltage	Contact resistance
Ø0.8mm	3A	250V	≤6mΩ
Ø1mm	5A	250V	≤5mΩ
Ø1.6mm	10A	250V	≤3mΩ
Ø2.3mm	20A	250V	≤1.5mΩ
Ø3.6mm	50A	250V	≤1mΩ

Environment	Voltage proof	Insulation resistance
Normal	1500V	≥3000MΩ
High temperature	1000V	≥500MΩ
Moisture	500V	≥20MΩ

Radio frequency interference attenuation:

Frequency MHz	Attenuation db	Frequency MHz	Attenuation db
100	65	400	55
150	60	600	50
200	60	800	45
300	55	1000	45

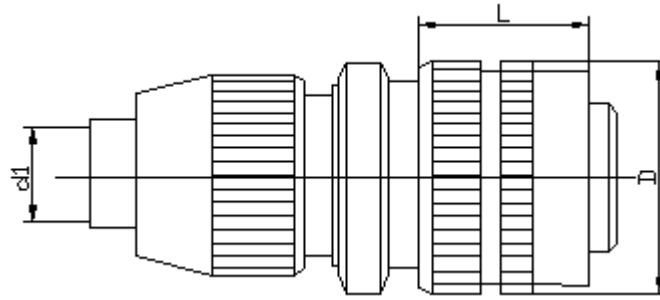
Dimensions:



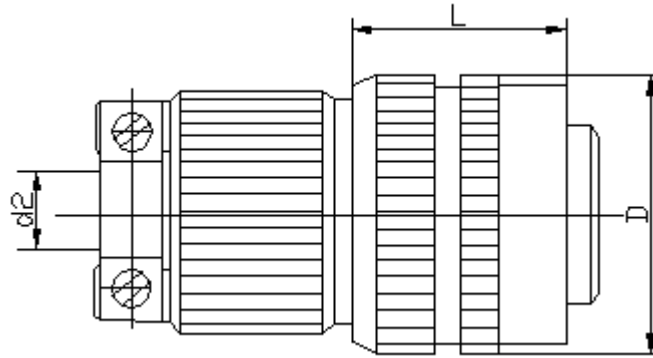
MS3116+3112:

Shell	A	B	D	d	d1	d2	L	L1	L2
08	15.09	20.6	19.65	12.01	6	3.15	18	22	11.7
10	18.26	23.8	23.4	14.99	8				
12	20.62	26.2	26.4	19.05	10				
14	23.01	28.6	29.7	22.23	12				
16	24.6	31	33	25.4	14				
18	26.96	33.3	35.3	28.58	17				
20	29.36	36.5	38.8	31.75	20	19	26.5	14.12	
22	31.75	39.7	42	34.93	24	3.15	19	26.5	14.12
24	34.93	42.9	45	38.1	27			27.3	14.96

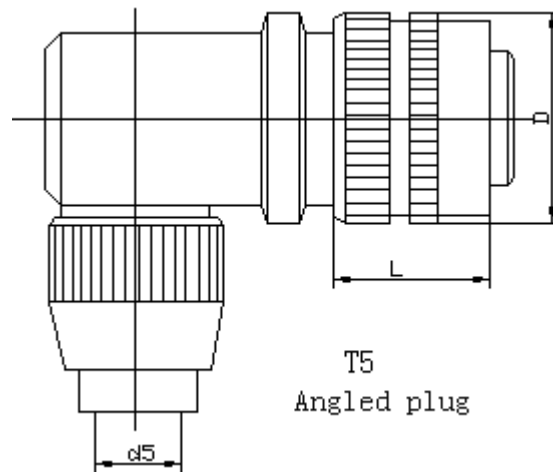
MS3116A (KP16A)



MS3116E/F (KP16E/F)



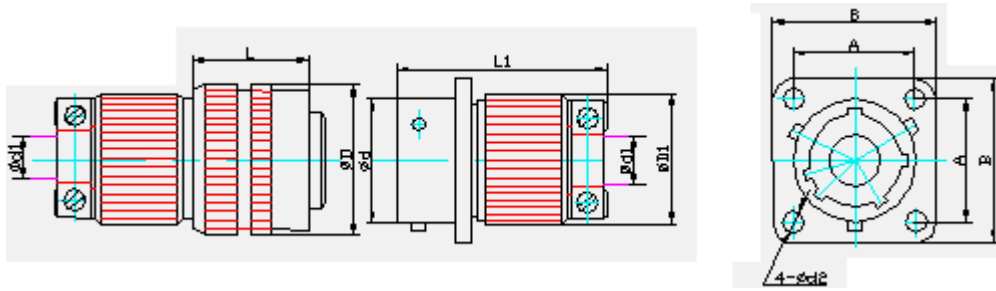
MS3118 (KP18)



Shell	08	10	12	14	16	18	20	22	24
d1	Φ6.1	Φ7.1	Φ11.1	Φ12.1	Φ14		Φ16		
d2	Φ6	Φ8	10	12	Φ14	Φ17	Φ20	Φ24	Φ27
d3	Φ6	Φ7	Φ9	Φ11.6	Φ14		Φ16		
L	18						19		
D	Φ19.65	Φ23.4	Φ26.5	Φ29.7	Φ33	Φ35.3	Φ38.8	Φ42	Φ45

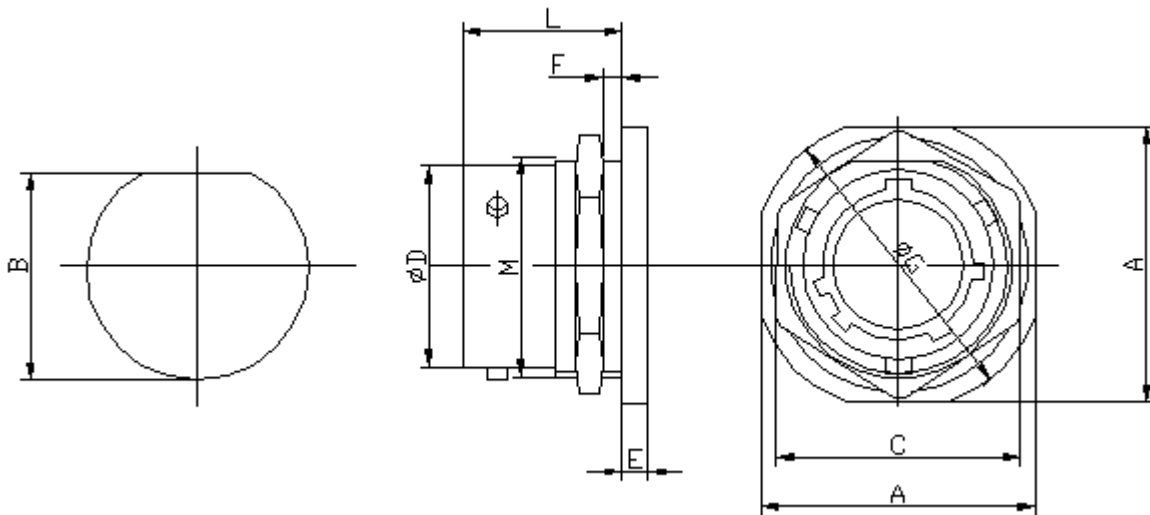
Dimensions with cable shell

MS3116+MS3110: Cable to cable connecting



Shell	A	B	D	D1	d	d1	d2	L	L1
08	15.1	21	19.65	16	12.04	6	3.13	18	36.5
10	18.3	24.2	23.4	19.5	15.01	8			
12	20.6	26.54	26.4	22.5	19.07	10			
14	23	28.9	29.7	25.5	22.2	12			
16	24.6	31.3	33	27.9	25.42	14			
18	27	33.7	35.3	30.5	28.6	17			
20	29.4	36.9	38.8	34.5	31.78	20	19	49	
22	31.8	39.9	42	38.5	34.95	24	3.13	19	49
24	34.9	43.2	45	41.5	38.12	27			3.7

Jam nut connection receptacle (MS3114-KP14)



Shell	A	B	C	D	E	F		G	L
						min	max		
08	23.94	13.75	19.3	12.04	3	1.57	3.17	26.95	21.5
10	26.95	16.95	22.38	15.01				30.15	
12	31.74	21.05	27.13	19.07				34.94	
14	34.95	24.20	30.33	22.25				38.05	

16	38.24	27.35	33.49	25.42	3.8	6.35	41.25	26.5
18	41.34	30.55	36.68	28.60			46.45	
20	46.04	33.70	39.83	31.78			49.14	
22	49.24	36.94	43.13	34.95			52.24	
24	52.74	40.05	46.18	38.13			55.94	

Type of contacts

Type	Contacts	Type	Contacts	Type	Contacts
0802	2- ϕ 1mm	1007	7- ϕ 1mm	1623	22- ϕ 1mm, 1- ϕ 1.6mm
0803	3- ϕ 1mm	1010	10- ϕ 0.8mm	1626	26- ϕ 1mm
0803A	3- ϕ 1mm ABC	1208	8- ϕ 1mm	1819	15- ϕ 1mm, 4- ϕ 1.6mm
0804	4- ϕ 1mm	1210	12- ϕ 1mm	1830	29- ϕ 1mm, 1- ϕ 1.6mm
0805	5- ϕ 0.8mm	1405	5- ϕ 1.6mm	1832	32- ϕ 1mm
0807	7- ϕ 0.8mm	1412	8- ϕ 1mm, 4- ϕ 1.6mm	2016	16- ϕ 1.6mm
1003	3- ϕ 1mm	1415	14- ϕ 1mm, 1- ϕ 1.6mm	2041	41- ϕ 1 mm
1006	6- ϕ 1mm	1419	19- ϕ 1mm	2255	55- ϕ 1 mm
1006A	6- ϕ 1mm, A-F	1608	8- ϕ 1.6mm	2461	61- ϕ 1 mm

<http://www.kpue.com>

Hangzhou Kaipu E-T co.,ltd. 86-571-85350139(fax)/86-571-85386101 , kaipu@126.com

Address : No.588-2 of Feijiatang Road,3nd floor,Xiacheng science Park,Hangzhou City,Zhejiang,China.

Postcode: 310004