

FQN series circular connectors



Products introduction

FQN series circular connectors can be used in the water-proof place. We use the reliable cage clamp connection instead of the traditional wire spring. These connectors have the features of lower contact resistance, anti-libration, shock proof, water proof and strong seal etc. They are widely used for the electrical connection between electrical equipment. Meet CE, RoHs. It use inside bayonet coupling connecting with plug and receptacle. It use machining metal parts.

Product Ordering

FQN / 14 / — 7 / T / K / — 8
 1 / 2 / 3 / 4 / 5 / 6

1. Name of series FQN
2. Shell size : 14、 18、 24、 30
3. Number of contacts: 1,2,3,4,5,6,7,9,10,12,13,16,19,26,32,42,55
4. T: Plug (TR: angled plug, TA: with no spring), Z: flange mounting receptacle, ZP: cable receptacle, Z2: Receptacle with O ring, ZY: circular receptacle
5. Type of contacts: K: socket, J: pin
6. Wire gauge: 5,6,7,8,9,10,12,14,16,18

Technical characteristics

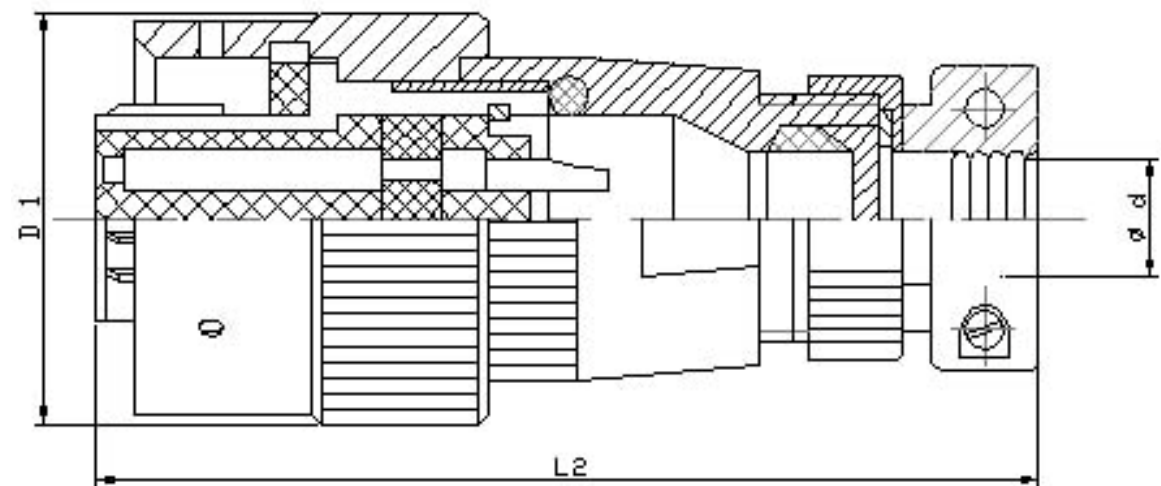
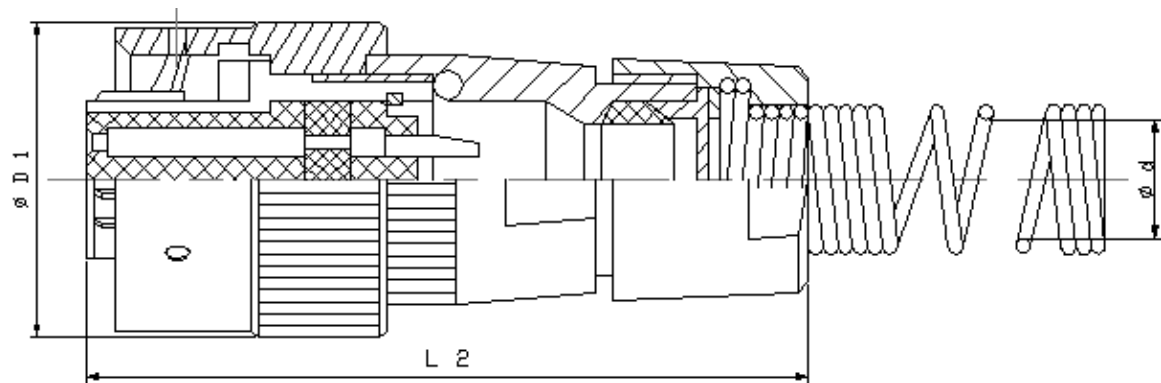
The connector is allowed to submerged in 1m deep water for 30min. (Ip67)

Temperature	Relative humidity	Atmosphere	Vibration	Shock
-55° C ~ +85° C	(90~96)% at 40° C	4.4KPa	10~200Hz, 150m/s ²	490m/s ²

Current	Voltage	Contact resistance	Endurance
2A~5A	250V	$\leq 10\text{m}\Omega$	500cycles
10A~25A	400V	$\leq 5\text{m}\Omega$	500cycles

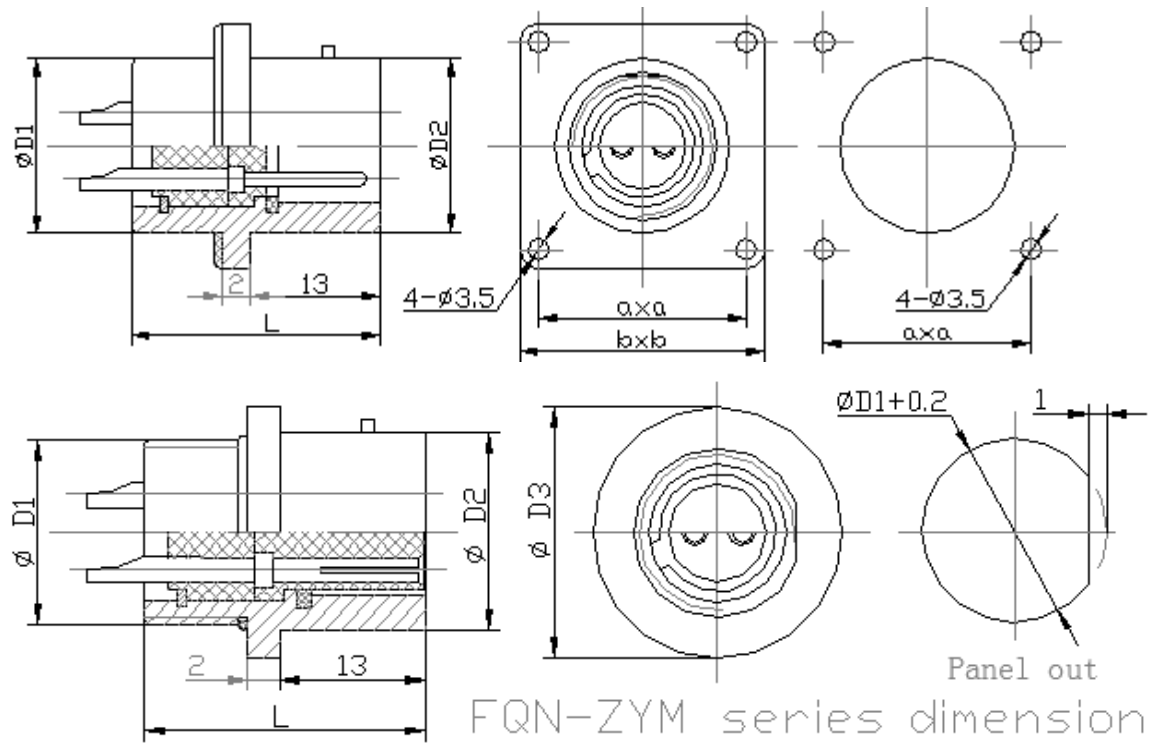
Environment	Voltage proof	Insulation resistance
Normal	1200V	$\geq 1000\text{M}\Omega$
High temperature	1000V	$\geq 500\text{M}\Omega$
Moisture	800V	$\geq 100\text{M}\Omega$
Low pressure	400V	-

Product Dimensions (Plug T/TA & Flange mounting receptacle Z/ZY)



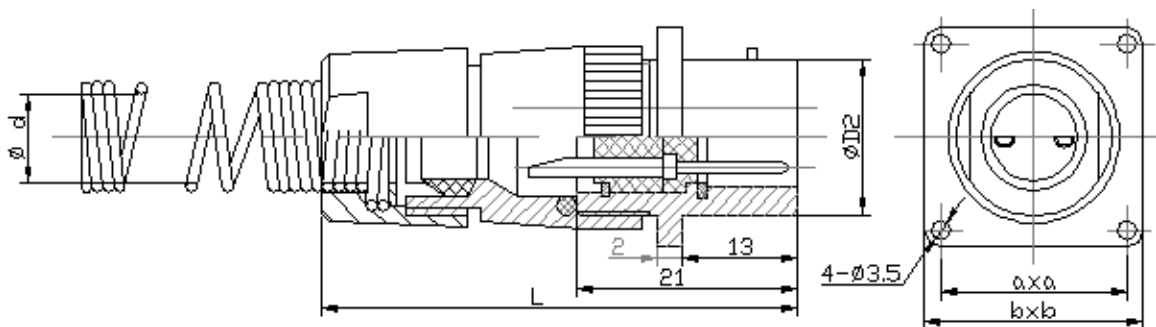
Type	D1	L2	Cable sleeve	Ø d
FQC14	Ø21	48-54	Ø5, 6, 7, 8, 9	5, 6, 7, 8, 9
FQC18	Ø27	50-58	Ø 6, 7, 8, 9, 10, 12	6, 7, 8, 9, 10, 12
FQC24	Ø33	56-65	Ø 6, 10, 12, 14	6, 10, 12, 14
FQC30	Ø39	63-70	Ø10, 14, 16, 18	10, 12, 14, 16, 18

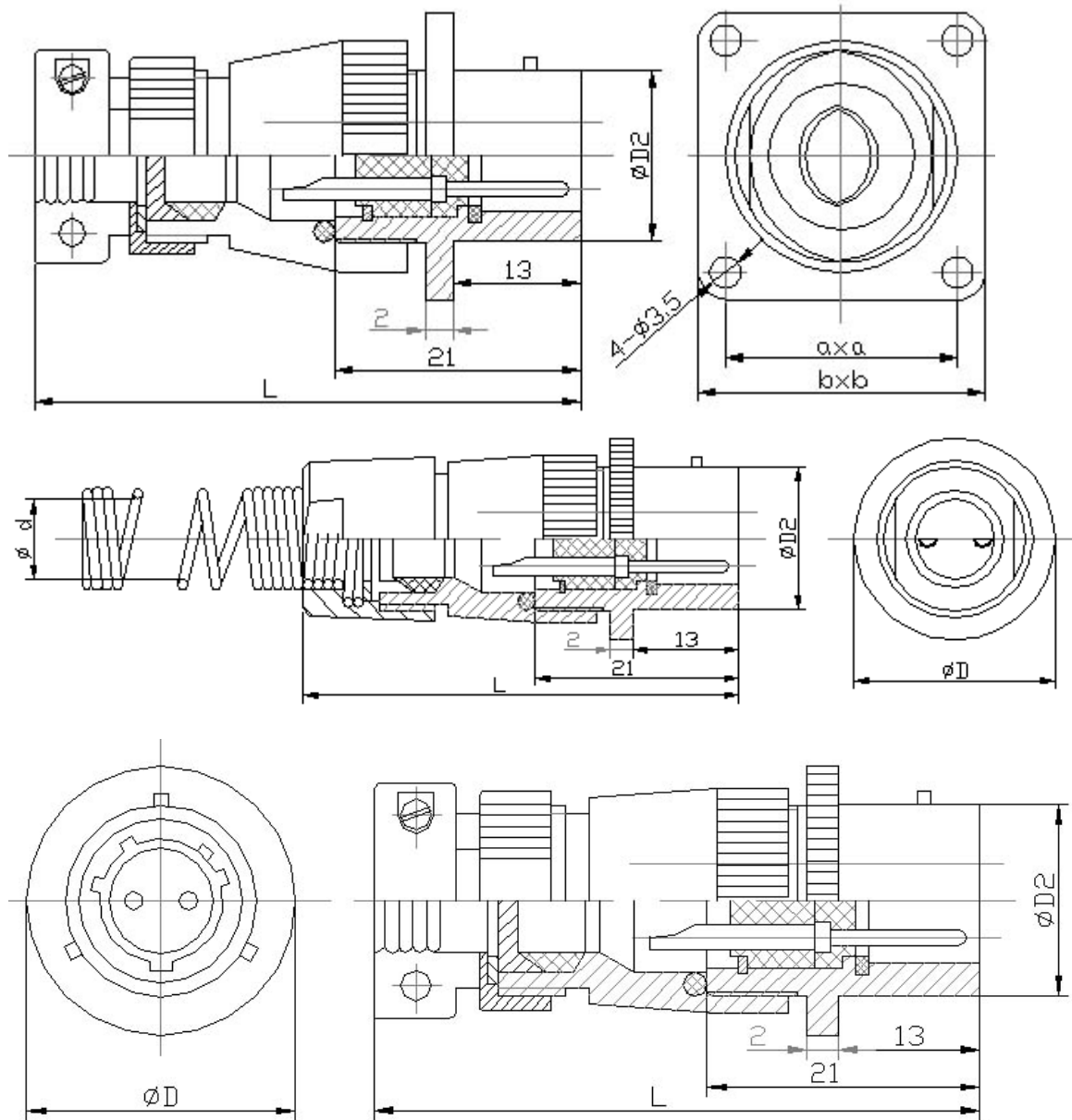
Receptacle-Square and circular type FQN-Z&FQN-ZYM



Type	a	b	D1	L	D2	D3
FQN14	17±0.2	24	Ø14	23	Ø14	Ø22
FQN18	20±0.2	27	Ø18	23.5	Ø19.9	Ø25-27
FQN24	26±0.2	33	Ø24	23.5	Ø25.5	Ø31-33
FQN30	31±0.1	38	Ø30	23.5	Ø31.5	Ø35-38

Cable receptacle: Square cable receptacle ZP/ZPA and circular cable receptacle ZPY/ZPYA





Type	D2	a	b	L	Cable sleeve-φd	D
FQN14	Ø14	17	24	49-50	5, 6, 7, 8, 9	Ø22
FQN18	Ø19.9	20	27	50-53	6, 7, 8, 9, 10, 12	Ø25-27
FQN24	Ø25.5	26	33	54-60	6, 10, 12, 14	Ø31-33
FQN30	Ø31.5	31	38	56-65	10, 12, 14, 16, 18	Ø35-38

Contacts number arrangement

Type	Number	Contact Ø &Current	Type	Number	Contact Ø &Current
FQN14	2,3	1.5 ,10A/400V	FQN24	1	1.5,10A/3000V
	4	1.5 ,10A/250V		2,3	3.5, 50A/400V
				4,6	2.5, 25A/400V
	5,6,7	1.0, 3A/250V		10	1.5,10A/400V
	9	0.8, 2A/110V		19	1.0 ,3A/250V
	13	0.7, 1A/110V		26	1.0 ,3A/110V
FQN18	1	1.5, 10A/2000V	FQN30	2	5.5 ,100A/400V
	2	2.5, 25A/400V		9	2.5 ,25A/400V
	3, 4	1.5, 10A/400V		16	2 , 18A/400V
	5,6,7	1.5, 10A/250V		32,42	1.0 ,3A/250V
	12	1.0 ,3A/250V		55	1.0 ,2A/110V

Hangzhou Kaipu Electronic Technique Co.,Ltd. <http://WWW.KPUE.COM>

Hangzhou Kaipu Connector Electronic Co.,Ltd. <http://WWW.KPUE.COM>

Tel: 86-571-85386101 Mobile: 13588034590

Fax: 86-571-85350139 E-mail: hzkaipu@126.com

Add:3F of 588-2 of Feijiatang Road, Hangzhou , Zhejiang, China. Postcode:310004