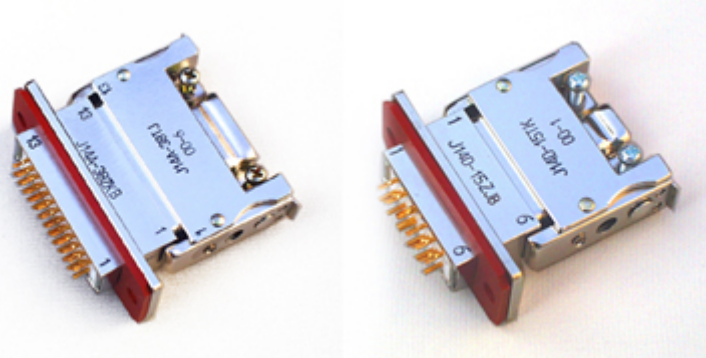


J14A, J14C, J14D, J14G Series Rectangular, Electrical Connector



The series of connectors have the characteristics of double safety locking mechanisms, of novelty in structure, of diversity in sizes. They also have the little volume and high reliability. So they are suitable for the connections of the instruments and cables.

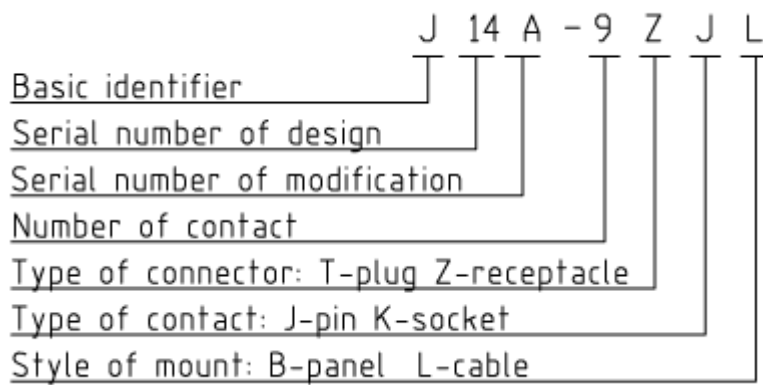
1. Service conditions

Operating Temperature range: -55- +125°C
Relative humidity: up to 90%- 95% at 40+2, -2°C
Atmospheric pressure: 101.3kPa- 1.33Pa
Vibration:
 196m/s² from 10- 2000Hz
Shock: 980m/s²
Acceleration: 780m/s²

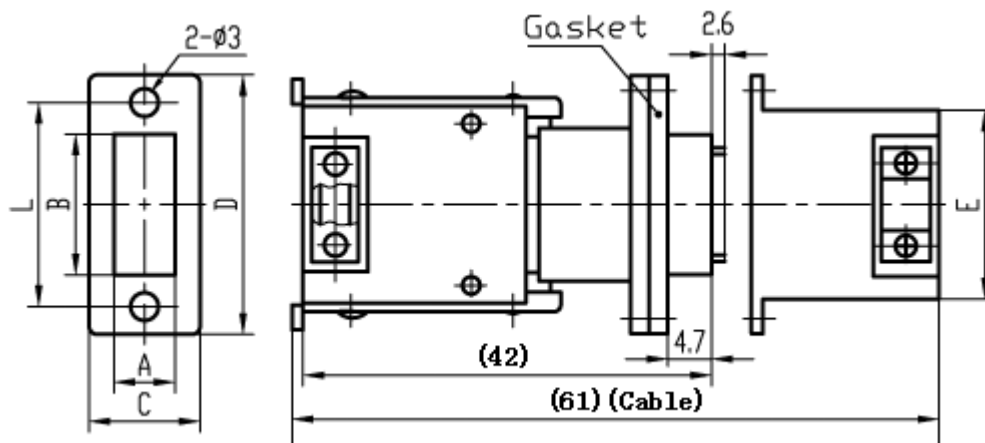
2. Main feature

Current rating: (As the table)
Contact resistance:
 less than 0.006 ohm in normal conditions
 less than 0.010 ohm after aging test
Insulation resistance:
 2000 megohms in normal conditions
 1000 megohms in hot conditions
 20 megohms in wet conditions
Dielectric withstanding voltage:
 800V in normal conditions
 250V in low atmospheric pressure
Durability: 500 cycles

3. Model interpretation



4. Model and size, outline and mount



Type	Number of contact	L	A	B	C	D	E	d	Mount height	weight(g)		Current rating	
										Pin	Hole		
J14A-n	TK TJ ZKB ZKL ZJL ZJB	9	22	6.6	15.2	12	28	17	3	42	11.7	4.3	3A
		15	28	6.6	21.2	12	34	23	3		13	5.3	3A
		26	34	10	25	16	41	28.2	3.5		24	10	3A
		38	42	10	33	16	49	36.2	3.5		28	14.6	3A
		51	52	10	43	16	59	46.1	3.5		31	15	3A
		62	58	10	49	16	65	52.2	3.5		34	15.6	3A
		74	54	12	45	18	61	47.4	3.5		35.7	17	3A
J14C-n		26	42	10	33	16	49	36.2	3.5	27	13	5A	
J14D-n		15	34	10	25	16	41	28.2	3.5	22	10.5	2: 10A 13: 3A	
J14G-n		8	34	10	25	16	41	28.2	3.5	20	9.5	4: 10A 4: 3A	

Notes : 'n' is the contact number

5. The interface contact arrangement of receptacle

1. The interface contact arrangement about the series of J14A receptacles(Current rating is 3A)

Number of contact	Pin	Hole
9		
15		
26		
38		
51		
62		
74		

2. The interface contact arrangement about the series of J14C receptacles(Current rating is 5A)

Number of contact	Pin	Hole
26		

3. The interface contact arrangement about the series of J14D receptacles(2: 10A, 13: 3A)

Number of contact	Pin	Hole
15		

4. The interface contact arrangement about the series of J14G receptacles(4: 10A, 4: 3A)

Number of contact	Pin	Hole
8		

6. Cautious aspects

1. Being soldered, the pothook of plug insulator should not be removed for avoiding the losing of contacts .
2. After socket-outlet and plug are mated together, the reed for the second locking should be in place.

Hangzhou Kaipu Electronic Technique Co., Ltd. <http://www.kpue.com>, www.kpue.net
Tel: 86-571-85386101 Mobile: 13588034590
Fax: 86-571-85350139 E-mail: HZKAIPU@YAHOO.COM.CN
Address: No.588-2 of Feijiatang Road,3nd floor,Xiacheng science Park, Hangzhou
City,Zhejiang,China. Postcode: 310004