

JL5 Series connectors



JL5 series connectors are made according to Ministry of railway standard TB/T2761. It can be interchanged with VG95234 connectors. meet the standard MIL-C-5015. The socket is covered with guided stainless sleeve and allows the connector to have the advantages of low contact resistance, long endurance, etc. The connection type between the plug and the receptacle is bayonet coupling with quick mating and easy use. They are widely used for the connection of electrical equipment of rail train. The plug or the receptacle may be mounted with both pins and sockets.

Product Ordering

JL5 — 7 T J B
 1 2 3 4 5

1. Name of series : JL5
2. Number of contacts : 3, 4, 5, 7, 12, 14, 19
3. T—plug , Z—receptacle
4. J—pin , K—socket
5. B—flange mouting, L—cable connector

Technical characteristics

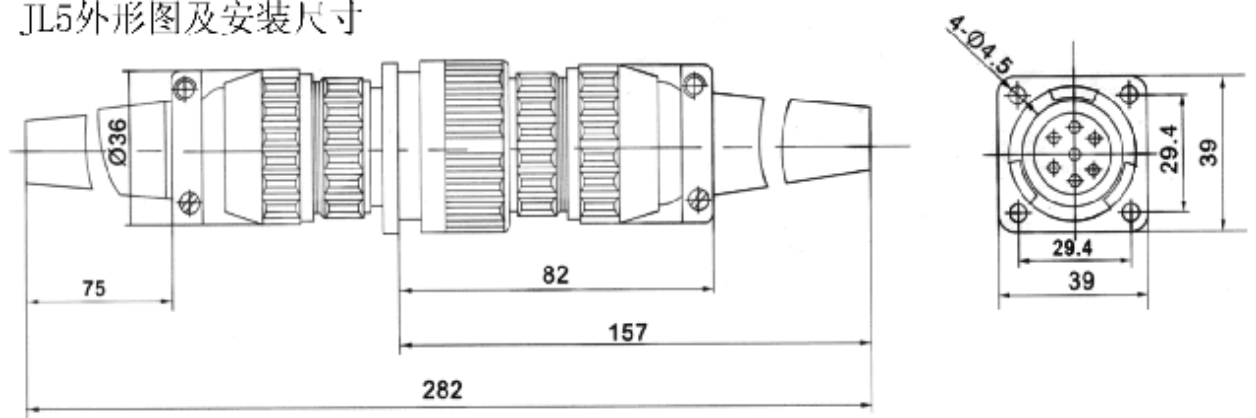
Temperature	Relative humidity	Atmosphere	Vibration	Shock
-55° C~+125° C	(90~95)% at40±2° C	101KPa~6.7Pa	5~2000Hz,294m/s ²	40~80strokes/min 980m/s ²

Current	Voltage	Contact resistance	Endurance
(Φ1.6mm) 13A	500V	$\leq 5\text{m}\Omega$	500cycles
(Φ2.4mm) 23A		$\leq 2.5\text{m}\Omega$	500cycles

Environment	Voltage proof	Insulation resistance
Normal	2000V	$\geq 5000\text{M}\Omega$
High temperature	1000V	$\geq 500\text{M}\Omega$
Moisture	500V	$\geq 20\text{M}\Omega$
Low pressure	200V	-

Product Dimensions

JL5外形图及安装尺寸



Hangzhou Kaipu Electronic Technique Co., Ltd.

Tel: 86-571-85386101

Mobile: 13588034590

Fax: 86-571-85350139

E-mail: kaipu@126.com

Address : 588-2, Feijiatang Road, Hangzhou City, Zhejiang, China