

TY series circular connectors



Products introduction

TY series circular connectors use the high reliable hyperboloid socket as the contacts. This connector has the features of low contact resistance, soft force of mating and unmating, anti-vibration, shock-proof, high reliability, etc. The main technical characteristics is in accordance with Ministry of Railway standard TB/T2761. The type of connection between socket and plug is bayonet coupling. This product is widely used for the connection between electrical and electronic equipments for the railway, electricity, etc. Both plug and receptacle may be mounted with pins or sockets.

Product Ordering

TY48 J 20 Z Y
 1 2 3 4 5

1. Name of series: TY48, TY20, TY27, TY32
2. J—Pin, K—Socket
3. Number of contacts: 4, 5, 7, 10, 12, 14, 20, 26, 31, 37
4. T—Plug, Z—Receptacle
5. Y—Crimp

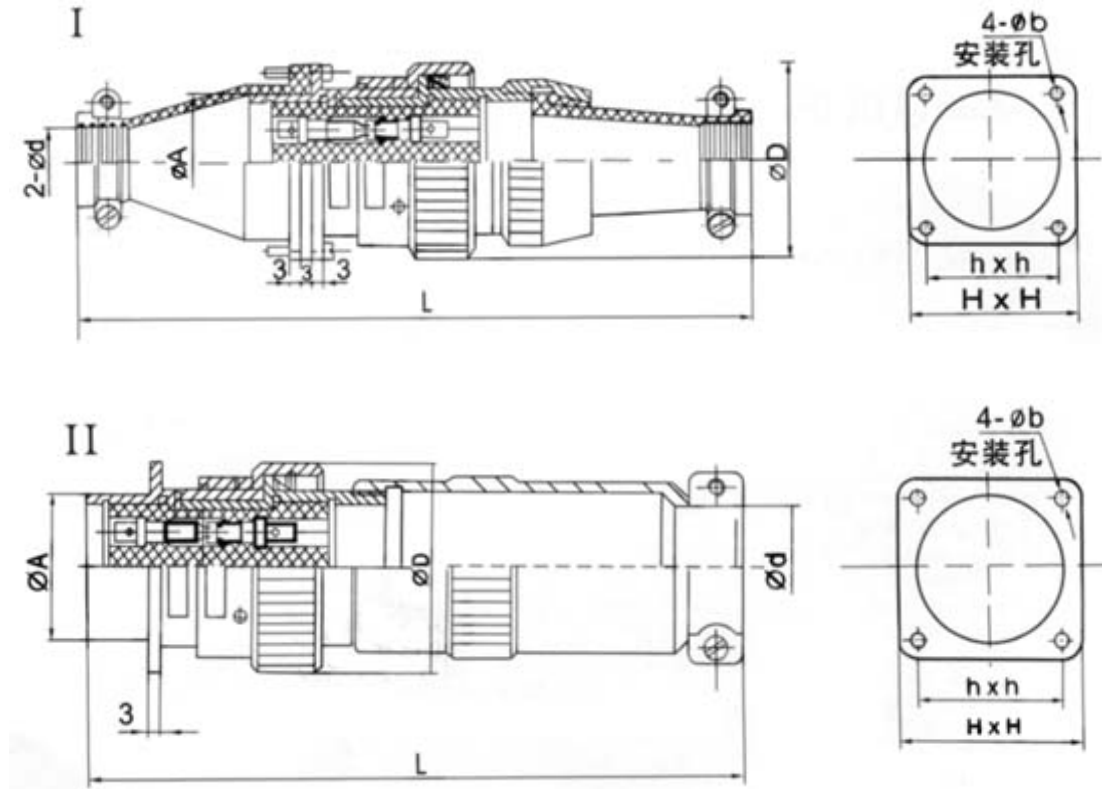
Technical characteristics

Temperature	Relative humidity	Atmosphere	Vibration	Shock
-55° C~+125° C	(90~95)% at 40±2° C	101KPa~6.7Pa	10~2000Hz, 154m/s ²	300m/s ²

Current	Voltage	Contact resistance	Endurance
10A (1.5mm Silver)	500V	≤2.5mΩ	500cycles
20A (2mm Gold)	500V	1.25 mΩ	500cycles

Environment	Voltage proof	Insulation resistance
Normal	2500V	$\geq 1000M\Omega$
Moisture	1250V	$\geq 20M\Omega$

Dimensions



Type	Shell size	øA	øD	L	h	H	ød	øb
1.5mm pin	TY20	20	32	182.7	22	30	14	3.2
	TY32	32	42		32	40	18	3.2
	TY48	48	58		48	58	26	4.5
2mm pin	TY27	27	37	140.9	22	34	21.2	3.2
	TY32	32	42		32	40	27	3.2
	TY48	48	58		48	58	43	4.5

Hangzhou Kaipu Electronic Technique Co., Ltd. <http://www.kpue.com>, www.kpue.net
Tel: 86-571-85386101 Mobile: 13588034590
Fax: 86-571-85350139 E-mail: HZKAIPU@YAHOO.COM.CN
Address: No.588-2 of Feijiatang Road, 3rd floor, Xiacheng science Park, Hangzhou City, Zhejiang, China. Postcode: 310004