

PG Series circular connectors



Products introduction

PG series circular connectors are used extensively in line connections between electrical equipment, various instruments and meters. These connectors have the features of small volume, light weight, convenient application, high durability of plugging and unplugging, threaded coupling, good sealing performance, high conductivity and high dielectric strength. They are made according to the standard SJ/T10496. They are for military and industrial applications. PG series connectors is same as P series connectors at contacts type, They can be interchange with each other. It can be IP65 protection. PG series have green color, (PB have black color)

Product Ordering

PG 32 J 7 A Q J
 1 2 3 4 5 6 7

1. Name of series: PG series circular connectors (PB mean black color series)
2. shell size: 20, 28, 32, 40, 48
3. Type of contacts: J—Pin, K—Socket
4. Sign of contacts: Numbers
5. Type: without mark—plug, A—normal receptacle, M—sealed receptacle
6. Q—normal shell, the receptacle without shell: without mark.
7. J—Au plated, without J: Ag plated

Technical characteristics

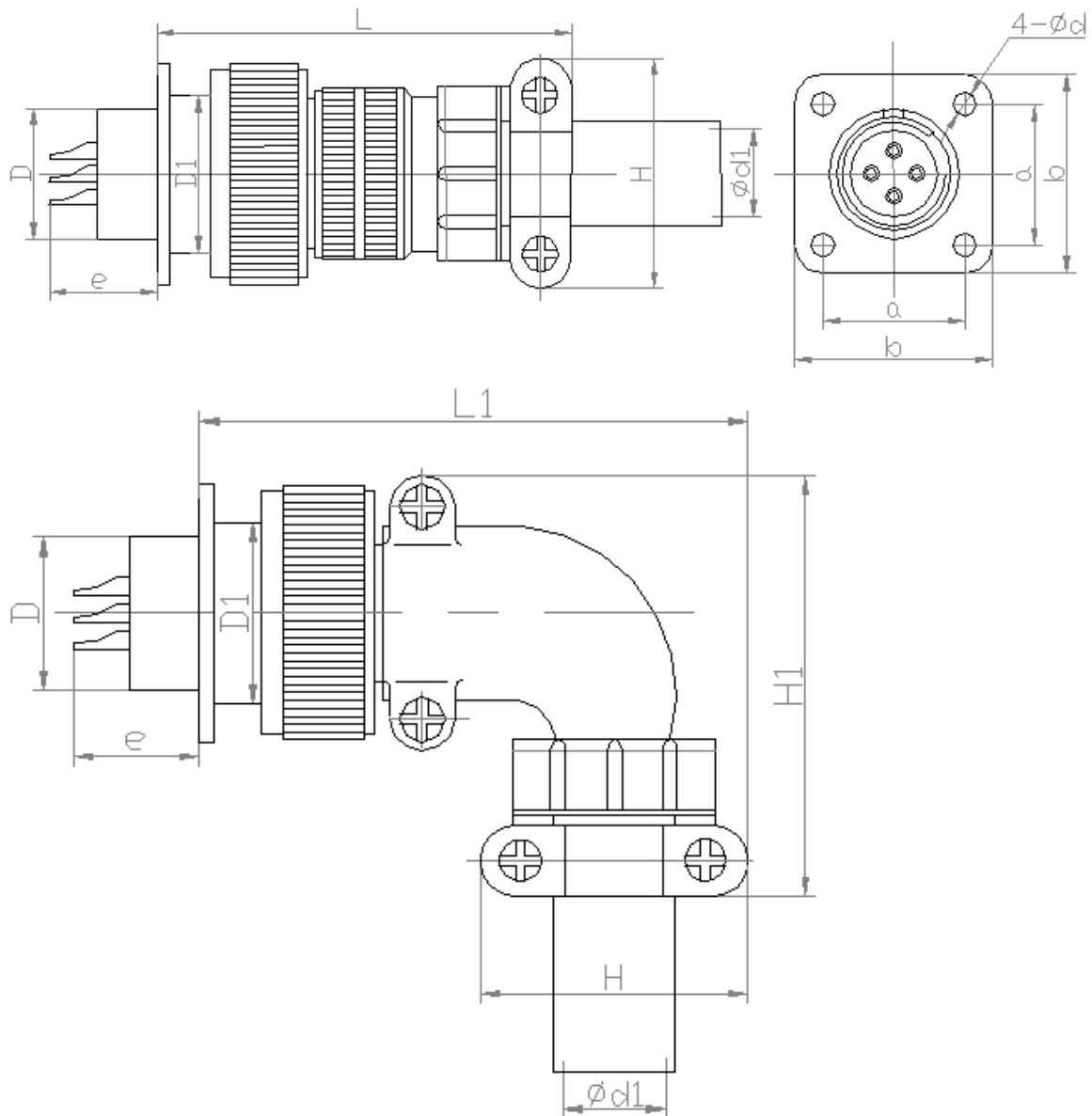
Temperature	Relative humidity	Atmosphere	Vibration	Shock	Endurance
-55° C~ +70° C	(92~96) % at 40±2° C	100KPa~2 KPa	10~200Hz, 100m/s ²	250m/s ²	500 cycles

The sealing connectors temperature allow -55° C~+55° C only.

Contacts diameter	Current	Voltage (pressure)				Contact resistance
		100Kpa	8.5KPa	4.4KPa	2KPa	
Ø1.5mm	10A	500V	250V	175V	150V	$\leq 2.5m\Omega$
Ø2.5mm	25A					$\leq 1m\Omega$
Ø3.5mm	50A					$\leq 0.5m\Omega$
Ø5.5mm	100A					$\leq 0.3m\Omega$

Environment	Voltage proof	Insulation resistance
Normal	1500V	$\geq 500M\Omega$
Lower pressure (2KPa)	300V	-
Moisture	1000V	$\geq 2M\Omega$

Dimensions (mm)



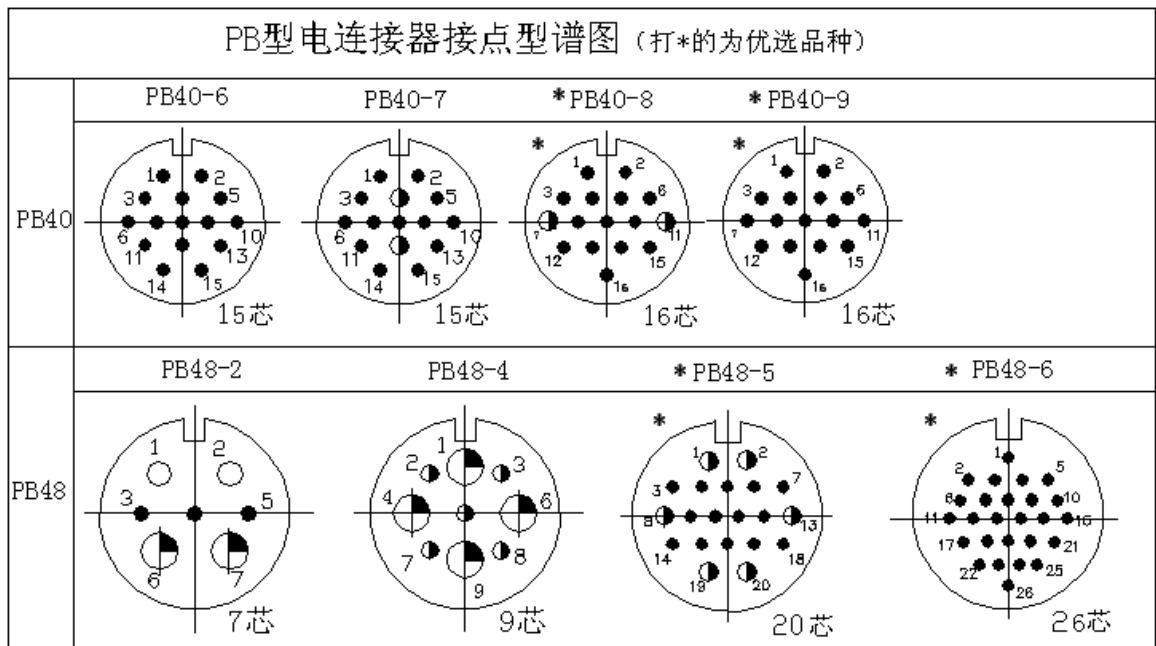
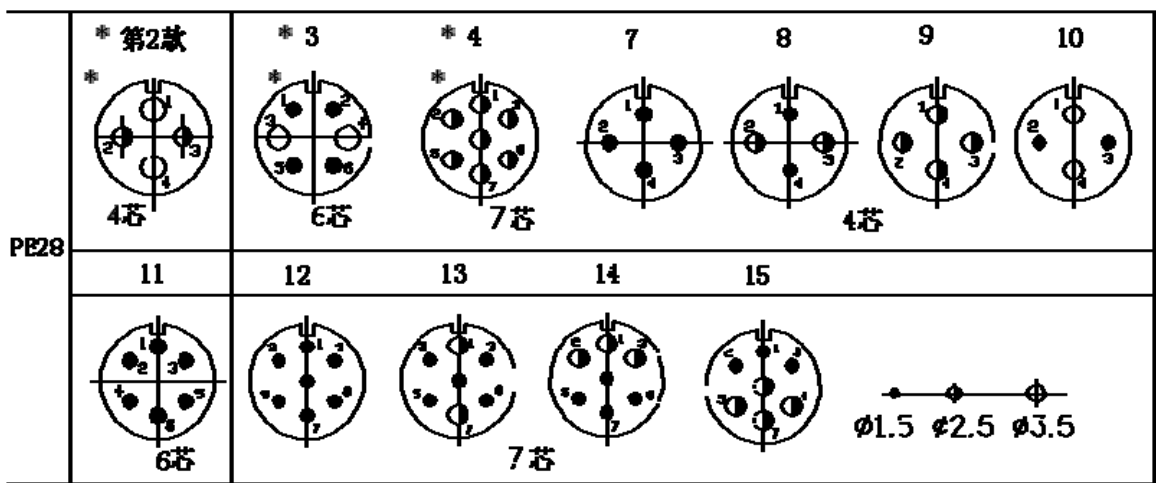
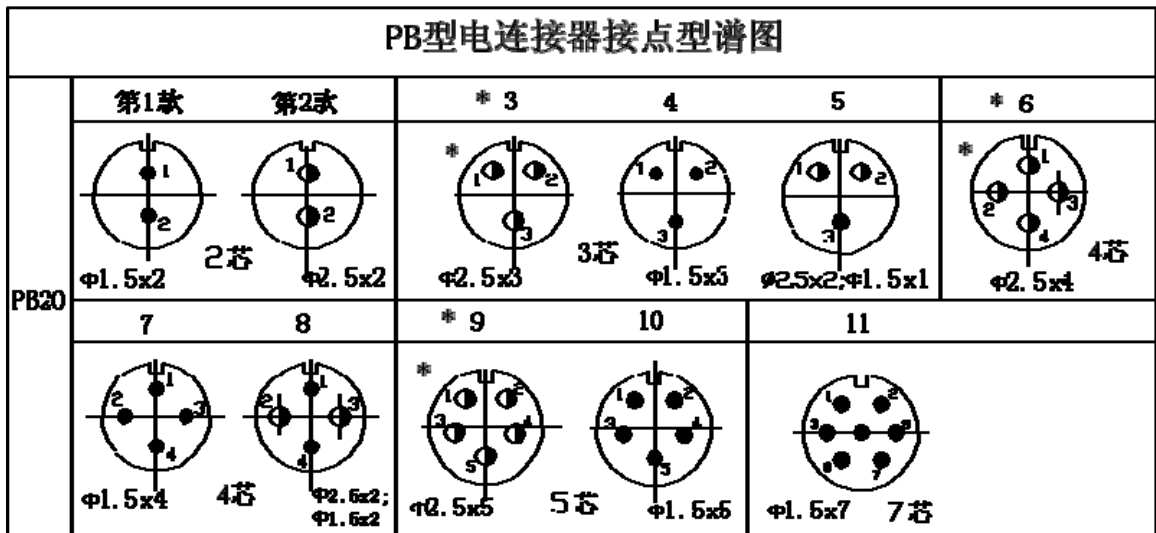
Shell		a	b	d	d1	D	D1	H	L	H1	L1
20	A	22	30	3.2	14	20	M24X1.5	36	71	59	71
	M		32	4.5					75		75
28	A	30	38	3.5	21	28	M33X1.5	48	78	76	81
	M		40	4.5					82		85
32	A	32	40	3.5	21	32	M36X1.5	52	80	80	81
	M		44	4.5					84		85
40	A	40	48	3.5	24	40	M45X1.5	60	86	86	88
	M		52	4.5					90		92
48	A	48	58	4.5	32	48	M52X1.5	68	88	95	98
	M		60						92		102

Contact diameter		Ø1.5	Ø2.5	Ø3.5	Ø5.5
e	A	15	15	17	19
	M	14	14	16	41

Contacts arrange table:

Type	Number of contacts				Type	Number of contacts					
	Sum	Ø1.5	Ø2.5	Ø3.5		Sum	Ø1.5	Ø2.5	Ø3.5	Ø5.5	
PG20	1	2	2		PG32	7	8	8			
	2	2		2		8	8	7	1		
	3	3		3		9	8	4	4		
	4	3	3			10	10	10			
	5	3	1	2		11	10	6	4		
	6	4		4		3	12	6	6		
	7	4	4			12	12	12			
	8	4	2	2		4	14	14			
	9	5		5		13	4		4		
	10	5	5			2	8		8		
	11	7	7			1	3				3
PG28	1	4		2	2	PG40	3	14	8	6	
	8	4	2	2			4	14	12	2	
	9	4		4			5	14	14		
	3	6	4		2		6	15	15		
	11	6	6				7	15	13	2	
	4	7		7			8	16	14	2	
	12	7	7				9	16	16		
	13	7	5	2							
14	7	4	3		PG48	5	20	14	6		
15	7	3	4			6	26	26			

The position picture of contacts.



Hangzhou Kaipu Electronic Technique Co., Ltd.

Tel: 86-571-85350139 (Fax) Mobile: 13588034590 E-mail: kaipu@126.com

Address: 588-2, Feijiatang Road, Hangzhou City, Zhejiang, China.