

## P Series military connectors



### Products introduction

P series circular connectors are used extensively in line connections between electrical equipment, various instruments and meters. These connectors have the features of small volume, light weight, convenient application, high durability of plugging and unplugging, threaded coupling, good sealing performance, high conductivity and high dielectric strength. They are made according to the standard SJ/T10496. They are for military and industrial applications.

### Product Ordering

P 20 J 3 M P J  
 1 2 3 4 5 6 7

1. Name of series: P series circular connectors
2. shell size: 20, 28, 32, 40, 48, 55, 60
3. Type of contacts: J—Pin, K—Socket
4. Sign of contacts: Numbers
5. Type: without mark—plug, A—normal receptacle, M—sealed receptacle
6. P—shield shell, Q—normal shell, R—angled shield shell, S—normal angled shell, the receptacle without shell: without mark.
7. J—Au plated, without J: Ag plated

### Technical characteristics

Temperature	Relative humidity	Atmosphere	Vibration	Shock	Endurance
-55° C ~ +70° C	(92~96) % at 40±2° C	100KPa~2 KPa	10~200Hz, 100m/s <sup>2</sup>	250m/s <sup>2</sup>	500 cycles

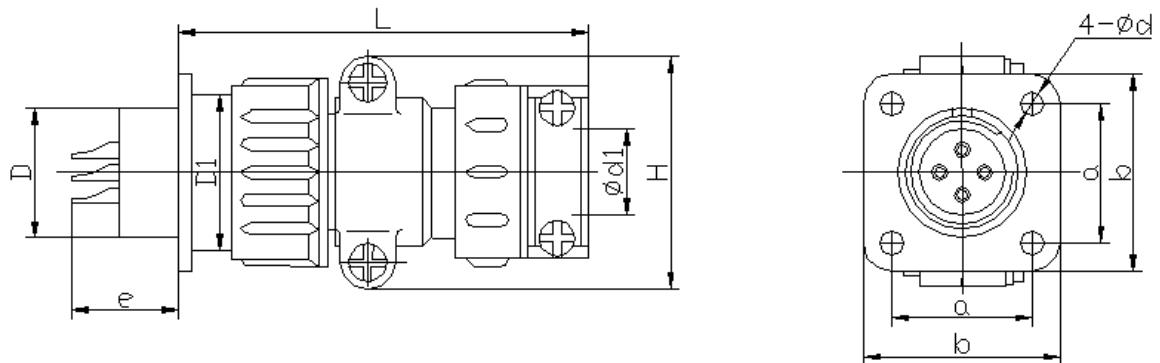
The sealing connectors temperature allow -55° C ~ +55° C only.

Contacts diameter	Current	Voltage (pressure)				Contact resistance
		100Kpa	8.5KPa	4.4KPa	2KPa	
Ø1.5mm	10A	500V	250V	175V	150V	≤2.5mΩ

Ø2.5mm	25A					$\leq 1\text{m}\Omega$
Ø3.5mm	50A					$\leq 0.5\text{m}\Omega$
Ø5.5mm	100A					$\leq 0.3\text{m}\Omega$

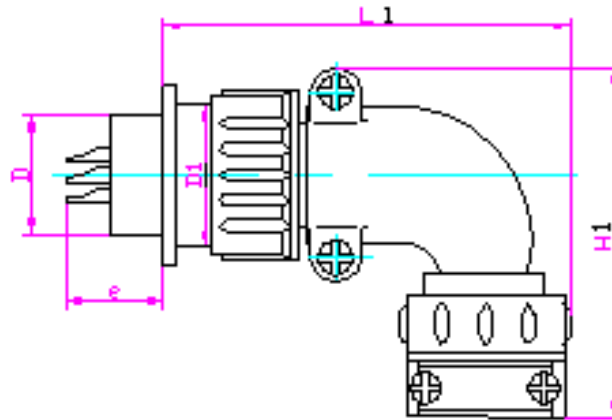
Environment	Voltage proof	Insulation resistance
Normal	1500V	$\geq 500\text{M}\Omega$
Lower pressure (2KPa)	300V	-
Moisture	1000V	$\geq 2\text{M}\Omega$

### Dimensions (mm)



Shell		a	b	d	d1	D	D1	H	L	H1	L1
20	A	22	30	3.2	14	20	M24X1.5	36	71	59	71
	M		32	4.5					75		75
28	A	30	38	3.5	21	28	M33X1.5	48	78	76	81
	M		40	4.5					82		85
32	A	32	40	3.5	24	32	M36X1.5	52	80	80	81
	M		44	4.5					84		85
40	A	40	48	3.5	24	40	M45X1.5	60	86	86	88
	M		52	4.5					90		92
48	A	48	58	4.5	32	48	M52X1.5	68	88	95	98
	M		60						92		102
55	A	52	64	4.5	40	55	M60X1.5	74	88	102	106
	M		68						92		110
60	A	54	68	4.5	48	60	M64X1.5	80	86	108	111
	M		72						90		115

Contact diameter		Ø1.5	Ø2.5	Ø3.5	Ø5.5
e	A	15	15	17	19
	M	14	14	16	41



Type		Number of contacts				Type		Number of contacts				
		Sum	Ø1.5	Ø2.5	Ø3.5			Sum	Ø1.5	Ø2.5	Ø3.5	Ø5.5
P20	1	2	2			P32	7	8	8			
	2	2		2			8	8	7	1		
	3	3		3			9	8	4	4		
	4	3	3				10	10	10			
	5	3	1	2			11	10	6	4		
	6	4		4			3	12	6	6		
	7	4	4				12	12	12			
	8	4	2	2			4	14	14			
	9	5		5			13	4		4		
	10	5	5				1	3				3
	11	7	7				3	14	8	6		
P28	1	4		2	2	P40	4	14	12	2		
	8	4	2	2			5	14	14			
	9	4		4			6	15	15			
	3	6	4		2		7	15	13	2		
	11	6	6				8	16	14	2		
	4	7		7			9	16	16			
	12	7	7				5	20	14	6		
	13	7	5	2			6	26	26			
	14	7	4	3			P48	3	30	22	8	
15	7	3	4		4	30		30				
P32	2	8		8		P55	8	35		33	2	
P55	7	35	23	10	2		P60	1	31	14	14	2
P60	2	45	35	10		4		47	26	21		
	3	45	25	20		5		47	40	7		
						P63	1	48		38	10	

The position of contacts

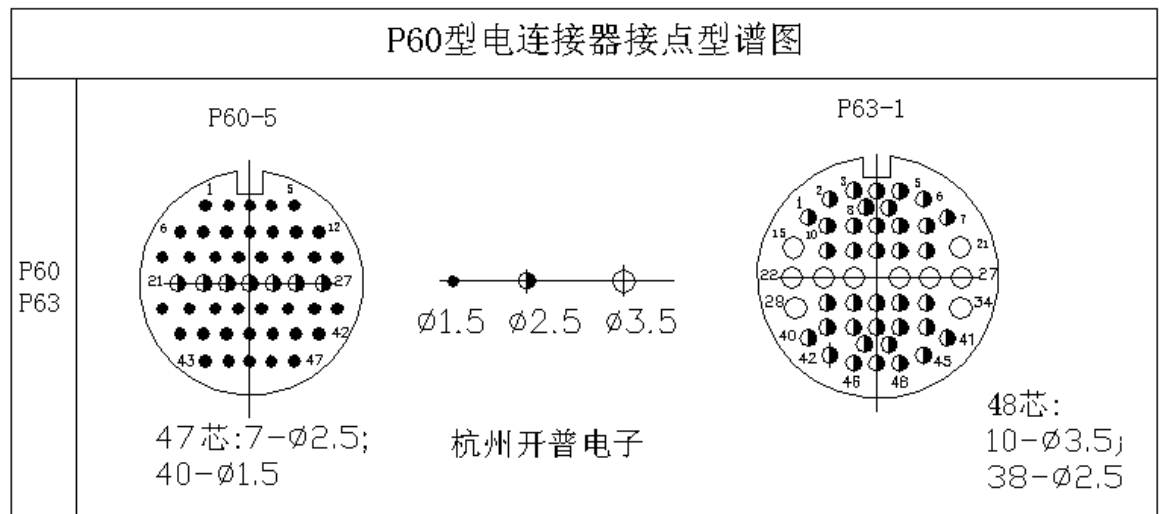
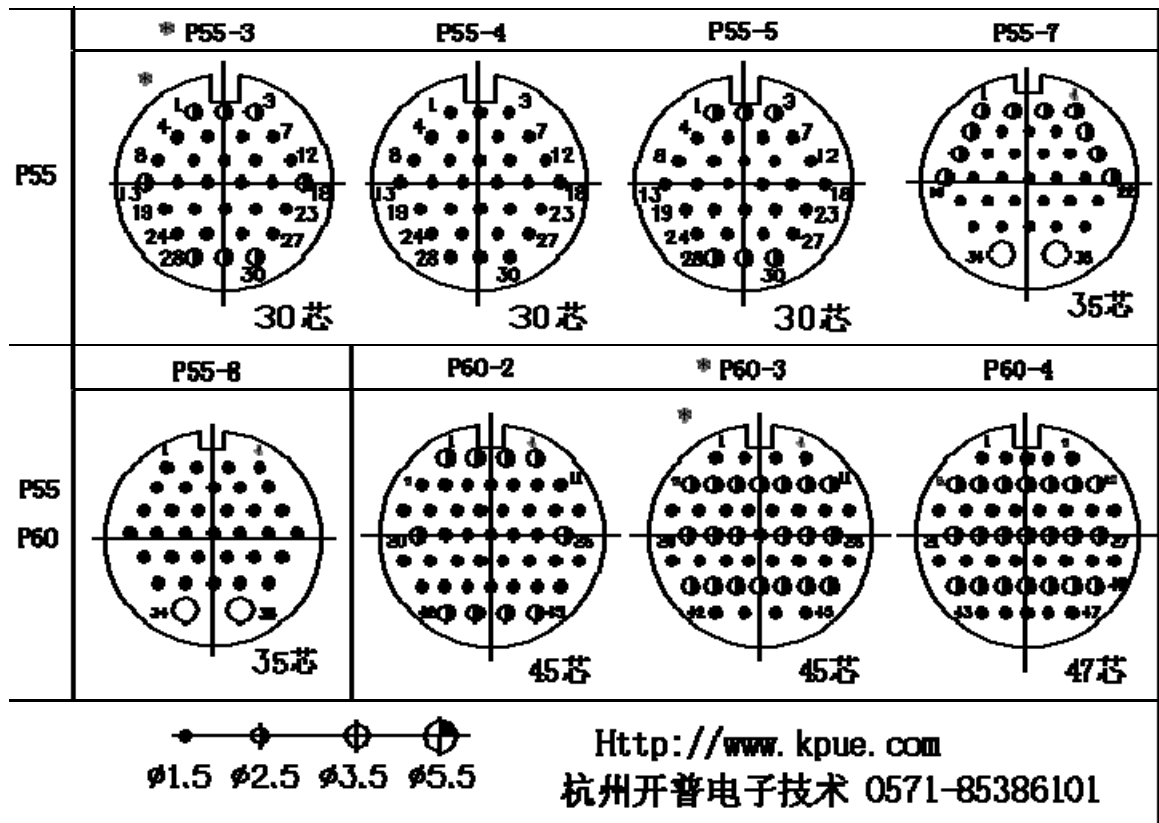
P型电连接器接点型谱图 (注\*的为优选品种)

P20	第1款	第2款	* 3	4	5	* 6	
	Φ1.5x2 2芯	Φ2.5x2 2芯	Φ2.5x3 3芯	Φ1.5x3 3芯	Φ2.5x2; Φ1.5x1 3芯	Φ2.5x4 4芯	
	7	8	* 9	10	11		
Φ1.5x4 4芯	Φ2.5x2; Φ1.5x2 4芯	Φ2.5x5 5芯	Φ1.5x5 5芯	Φ1.5x7 7芯			
P28	* 第2款	* 3	* 4	7	8	9	10
	4芯	6芯	7芯	4芯			
11	12	13	14	15			
6芯	7芯						

P32	* 第2款	* 3	* 4	7	8
	8芯	12芯	14芯	8芯	8芯
	9	10	11	12	
	8芯	10芯	10芯	12芯	
P36	第2款	3	4	5	6
	5芯	7芯	10芯	10芯	15芯

P型电连接器接点型谱图 (打\*为优选规格)

P36 P40	P36-7	* P40-1	P40-2	* P40-3	P40-4
	15芯	3芯	9芯	14芯	14芯
	P40-5	P40-6	P40-7	* P40-8	* P40-9
	14芯	15芯	15芯	16芯	16芯
P48	P48-2	P48-4	* P48-5	* P48-6	
	7芯	9芯	20芯	26芯	



Hangzhou Kaipu Electronic Technique Co., Ltd. <http://www.kpue.com>, [www.kpue.net](http://www.kpue.net)  
 Tel: 86-571-85386101                      Mobile: 13588034590  
 Fax: 86-571-85350139                      E-mail: HZKAIPU@YAHOO.COM.CN  
 Address: No. 588-2 of Feijiatang Road, 3rd floor, Xiacheng science Park, Hangzhou  
 City, Zhejiang, China.      Postcode: 310004