

15. Y50EX series circular connectors



Y50EX series circular connectors are inner pin locked type for British system, military quality, featuring quick connection and separation, small volume, light weight, good sealing and anti-tensile performance. The type of terminations include soldered and crimped, shielded and nonshielded housing, straight and bent cable outlet ends, ordinary, high vacuum and high pressure sealing. Its specification meet the requirements of GJB101A, GJB598A, MIL-C-26482G standard. They are widely used for energy and signal connections in strategic and tactical systems and field operations.

Product ordering

Y50 E X-10 06 Z J 10
 1 2 3 4 5 6 7 8

1. Product name: Y50 series circular connectors
 2. Type: E: British system
 3. Structure: X: ordinary rubber sealing
 4. Shell: 08, 10, 12, 14, 16, 18, 20, 22, 24
 5. Contacts: 2-61
 6. Type: T: plug, Z: receptacle: ZS: thru bulkhead receptacle
 7. Contacts type: J: pin, K: socket, S: panel
 8. Receptacle: 10: square flange mounting, 10-2: with cable, 11: circular flange, 14: screw connection
- Plug: 1: grounded pressure, 2: Cable clipper, 4: anti-tensile shell, 5—angled, 6: water proof cable shell

. Technical characteristics

Mould: Tested as per provisions in 4.16 of GJB598A; Saline fog: Tested as per provisions in 4.17 of GJB598A; Rainproof: Tested as per provisions in 4.15 of GJB598A.

Temperature	Relative humidity	Atmosphere	Vibration	Impact	Shock	Endurance
-55° C~ +125° C	(92~98) % at 40 ± 2° C	101.33KPa~ 4.39KPa	10~2000Hz, 196m/s ²	980.7 m/s ²	392m/s ²	500cycles

Air tightness: not greater than 6×10^{-2} PaL/S for ordinary, not greater than 1×10^{-5} PaL/S for glass sealed.

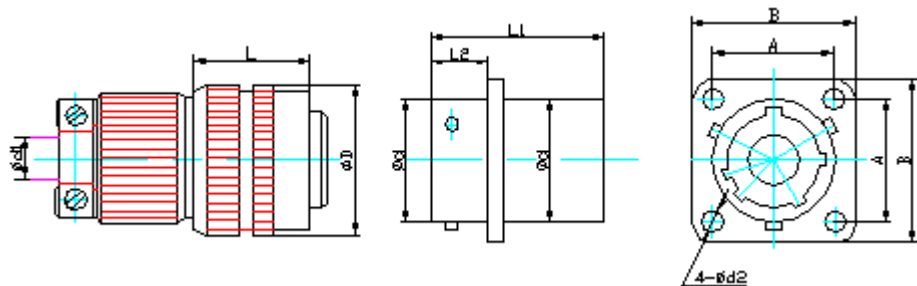
Contact diameter	Current	Voltage	Contact resistance
Ø0.8mm	3A	250V	$\leq 6m \Omega$
Ø1mm	5A	250V	$\leq 5m \Omega$
Ø1.6mm	10A	250V	$\leq 3m \Omega$
Ø2.3mm	20A	250V	$\leq 1.5m \Omega$
Ø3.6mm	50A	250V	$\leq 1m \Omega$

Environment	Voltage proof	Insulation resistance
Normal	1500V	$\geq 3000M \Omega$
High temperature	1000V	$\geq 500M \Omega$
Moisture	500V	$\geq 20M \Omega$

Radio frequency interference attenuation:

Frequency MHz	Attenuation db	Frequency MHz	Attenuation db
100	65	400	55
150	60	600	50
200	60	800	45
300	55	1000	45

Dimensions:

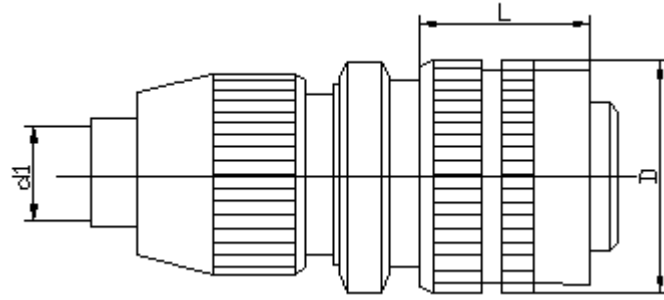


Y50EX-T+Y50EX-Z10:

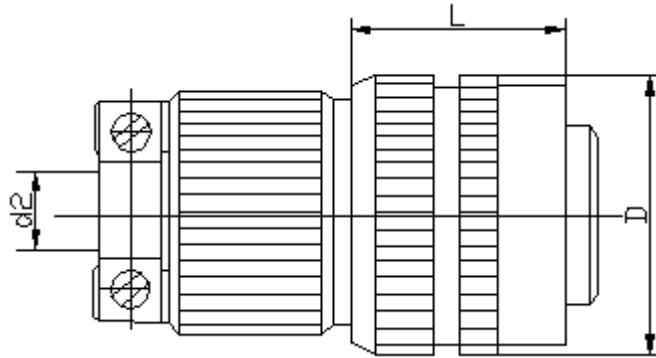
Shell	A	B	D	d	d1	d2	L	L1	L2
08	15.09	20.6	19.65	12.01	6	3.15	18	22	11.7
10	18.26	23.8	23.4	14.99	8				
12	20.62	26.2	26.4	19.05	10				
14	23.01	28.6	29.7	22.23	12				
16	24.6	31	33	25.4	14				
18	26.96	33.3	35.3	28.58	17				
20	29.36	36.5	38.8	31.75	20		19	26.5	14.12

22	31.75	39.7	42	34.93	24	3.15	19	26.5	14.12
24	34.93	42.9	45	38.1	27			27.3	14.96

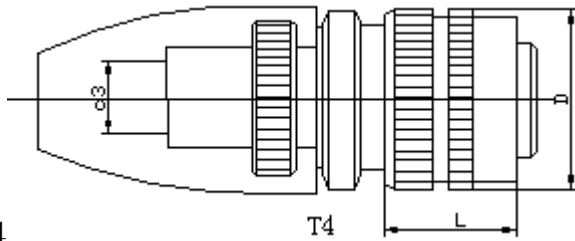
Y50EX-T1



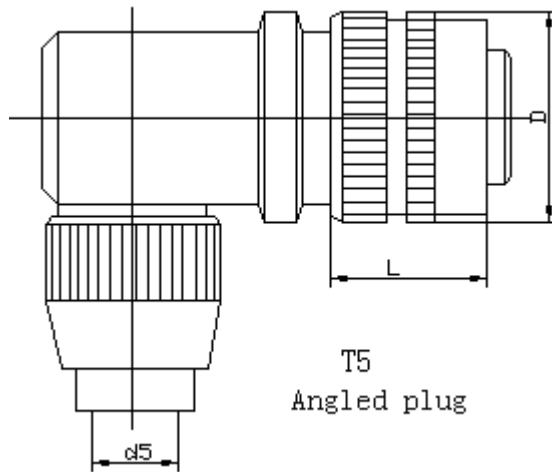
Y50EX-T2



Y50EX-T4



Y50EX-T5

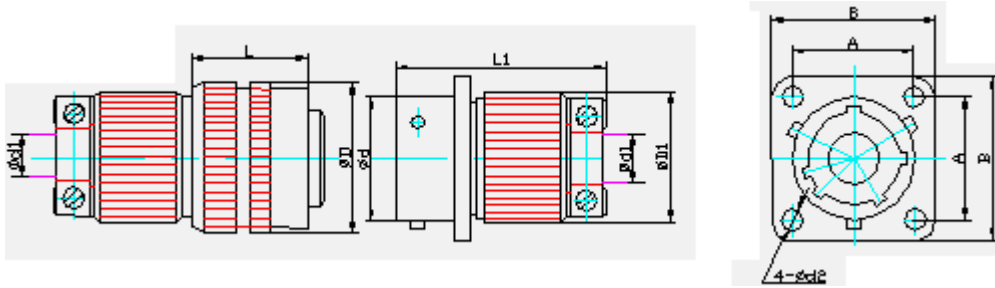


Shell	08	10	12	14	16	18	20	22	24
d1	Φ6.1	Φ7.1	Φ11.1	Φ12.1	Φ14		Φ16		
d2	Φ6	Φ8	10	12	Φ14	Φ17	Φ20	Φ24	Φ27
d3	Φ6	Φ7	Φ9	Φ11.6	Φ14		Φ16		

L	18						19		
D	Φ19.65	Φ23.4	Φ26.5	Φ29.7	Φ33	Φ35.3	Φ38.8	Φ42	Φ45

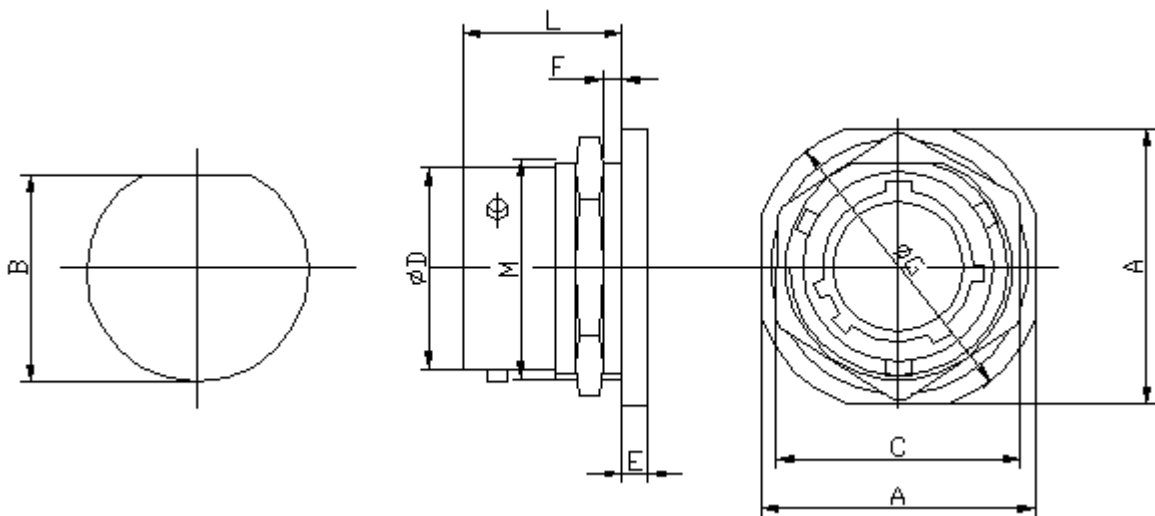
Dimensions with cable shell

Y50EX-T+Z10-2: Cable to cable connecting



Shell	A	B	D	D1	d	d1	d2	L	L1
08	15.1	21	19.65	16	12.04	6	3.13	18	36.5
10	18.3	24.2	23.4	19.5	15.01	8			
12	20.6	26.54	26.4	22.5	19.07	10			
14	23	28.9	29.7	25.5	22.2	12			43
16	24.6	31.3	33	27.9	25.42	14			
18	27	33.7	35.3	30.5	28.6	17			44.5
20	29.4	36.9	38.8	34.5	31.78	20	19	49	
22	31.8	39.9	42	38.5	34.95	24	3.13	19	49
24	34.9	43.2	45	41.5	38.12	27			3.7

screw connection receptacle(Y50EX-ZJ14/ZK14)



Shell	A	B	C	D	E	F		G	L
						min	max		
08	23.94	13.75	19.3	12.04	3	1.57	3.17	26.95	21.5
10	26.95	16.95	22.38	15.01				30.15	
12	31.74	21.05	27.13	19.07				34.94	
14	34.95	24.20	30.33	22.25				38.05	
16	38.24	27.35	33.49	25.42				41.25	
18	41.34	30.55	36.68	28.60				46.45	
20	46.04	33.70	39.83	31.78	3.8	6.35	49.14	26.5	
22	49.24	36.94	43.13	34.95			52.24		
24	52.74	40.05	46.18	38.13			55.94		

Type of contacts

Type	Contacts	Type	Contacts	Type	Contacts
0802	2- ϕ 1mm	1007	7- ϕ 1mm	1623	22- ϕ 1mm, 1- ϕ 1.6mm
0803	3- ϕ 1mm	1010	10- ϕ 0.8mm	1626	26- ϕ 1mm
0803A	3- ϕ 1mm ABC	1208	8- ϕ 1mm	1819	15- ϕ 1mm, 4- ϕ 1.6mm
0804	4- ϕ 1mm	1210	12- ϕ 1mm	1830	29- ϕ 1mm, 1- ϕ 1.6mm
0805	5- ϕ 0.8mm	1405	5- ϕ 1.6mm	1832	32- ϕ 1mm
0807	7- ϕ 0.8mm	1412	8- ϕ 1mm, 4- ϕ 1.6mm	2016	16- ϕ 1.6mm
1003	3- ϕ 1mm	1415	14- ϕ 1mm, 1- ϕ 1.6mm	2041	41- ϕ 1 mm
1006	6- ϕ 1mm	1419	19- ϕ 1mm	2255	55- ϕ 1 mm
1006A	6- ϕ 1mm, A-F	1608	8- ϕ 1.6mm	2461	61- ϕ 1 mm

<http://www.kpue.com>

Hangzhou Kaipu e-t co.,ltd. 86-571-85350139(fax)/86-571-85386101 , kaipu@126.com