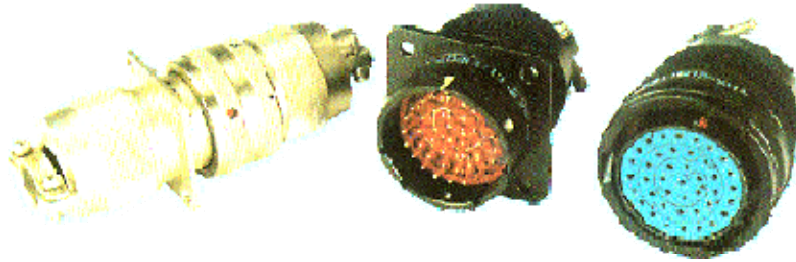


Y11 series circular connectors



Y11series connectors are used extensively for the connections between electrical instrument and equipment with 3 point bayonet coupling and 5 key/keyway mating, quickly push-pull, small size, light-weight, high reliability, diversified functions and wide range of type. Contact termination is solder. The shell is shield or non-shield with ordinary sealing, vacuum sealing, high pressure sealing, dust-proof, rain-proof. The seal of receptacle is ordinary sealing and glass sealing. Termination type is flange, threaded and thro-wall. Y11series connectors is made comform to the standard GJB101A(similar as MIL-C-26482G series).

Product ordering

Y 11 X II — 20 41 Z J 10 - 2
 1 2 3 4 5 6 7 8 9

1. Name of the product: Y11series circular connectors
2. Seal type: X—rubber, H—glass, P—shield, N—radiation-proof
3. 5 key/keyawy Position: I、II、III、IV、V, I—without notice
4. Type of shell: 08, 10, 12, 14, 16, 18, 20, 22
5. Number of contacts: 4, 7, 10, 12, 16, 19, 21, 26, 32, 41
6. T—plug, Z—receptacle
7. Type of contacts: J—pin, K—socket, S—panel (pin or socket)
8. Termination: 10—square flange, 11—circular flange, 14—screw
9. Cable shell: 2—pressure brace, 5—rubber pipe, 6—shield

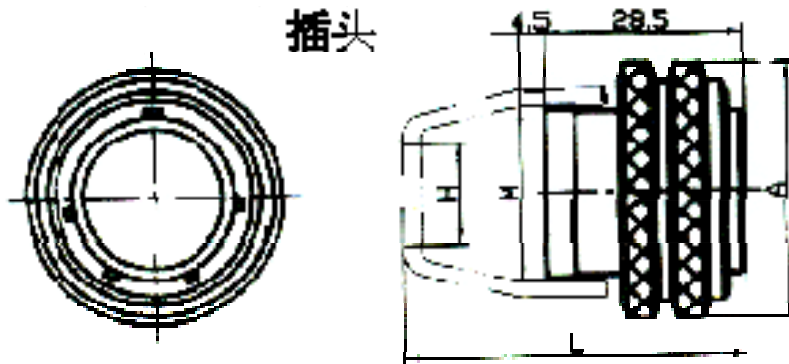
Technical characteristics

Temperature	Relative humidity	Atmosphere	Vibration	Shock	Endurance
-55° C~ +125° C	90~95% at 40±2° C	101.33~ 4.39KPa	10~2000Hz 196m/s ²	980m/s ²	500cycles

Contact	Current	Voltage	Contact resistance
1mm	5 A	250V	≤15mΩ
1.5mm	10A	250V	≤10mΩ

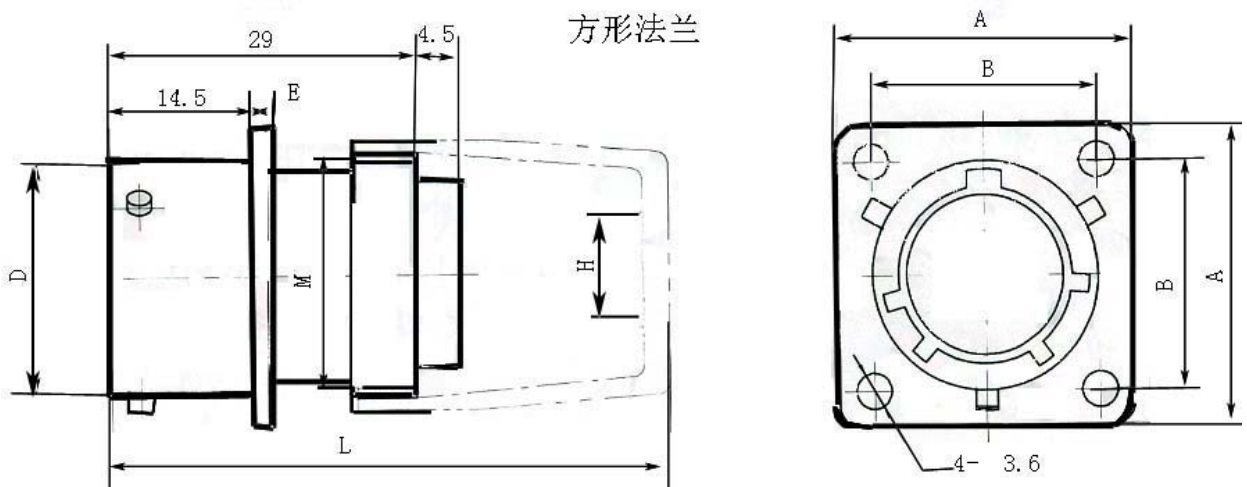
Environment	Voltage proof	Insulation resistance
Normal	1500V	$\geq 2000M\Omega$
Moisture	500V	$\geq 50M\Omega$
Low pressure	200V	$\geq 20M\Omega$

Dimensions



Plug

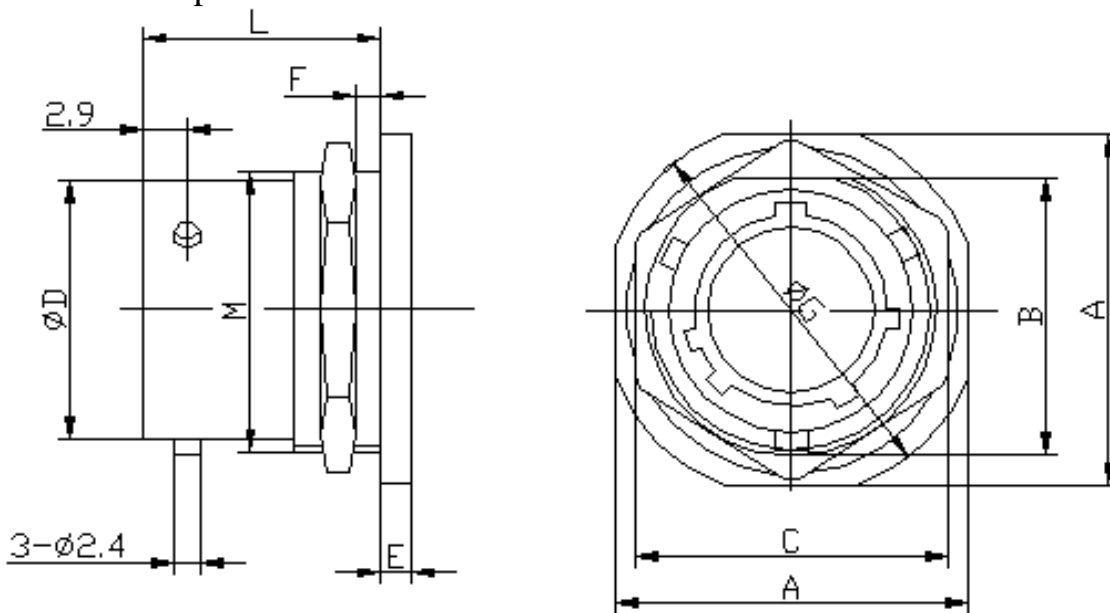
Shell type	A	M	H	L
08	Ø20	M14×1	6	41
10	Ø23	M18×1	8	41
12	Ø26	M20×1	10	43
14	Ø30	M24×1	12	49
16	Ø33	M27×1	14	49
18	Ø36	M30×1	17	49
20	Ø39	M33×1.5	20	50.5
22	Ø42	M36×1.5	24	50.5



Square flange mounting receptacle

Shell type	A	B	ØD	E	M	ØH	L
08	21	15±0.15	13	1.3	M14×1	6	41.5
10	24	18±0.15	16	1.5	M18×1	8	41.5
12	27	21±0.15	20	1.5	M20×1	10	43.5
14	30	23±0.15	23	1.5	M24×1	12	49.5
16	33	25±0.15	26	1.5	M27×1	14	49.5
18	36	27±0.15	29	1.5	M30×1	17	49.5
20	39	29±0.15	32	2.2	M33×1.5	20	51
22	42	32±0.15	35	2.2	M36×1.5	24	51

Circular receptacle with screw nut



Shell type	A	B	C	D	E	F		G	M	L
						小	大			
08	24	15	22	13	2.5	1.6	3.2	27	M16×1	18.5
10	27	19	24	16				30	M20×1	
12	32	23	27	20				35	M24×1	
14	36	26	30	23				38	M27×1	
16	38	29	32	26				42	M30×1	
18	41	32	36	29				45	M33×1.5	
20	46	35	41	32	3.0	6.4	49	M36×1.5	22.5	
22	50	38	43	35	3.0		53	M39×1.5		

Type of contacts

Type	Contacts	Type	Contacts	Type	Contacts
0804	4-Ø1.0mm	1412	8-Ø1.0mm, 4- Ø1.5mm	1832	32- Ø1.0mm
1007	7-Ø1.0mm	1419	19-Ø1.0mm	*2016	16- Ø1.5mm
1210	10-Ø1.0mm	1626	26-Ø1.0mm	2041	41- Ø1.0mm
*2221	21- Ø1.5mm	*2255	55-Ø1.0mm	*2461	61- Ø1.0mm

Note: There are no glass sealed receptacles now with *.

Order note:Pls offer the whole title of product, type, quantity, date, your address, name & other attachment.

Hangzhou Kaipu Electronic Technique Co.,Ltd. <http://www.kpue.com>, www.kpue.net

Tel: 86-571-85386101

Mobile: 13588034590

Fax: 86-571-85350139

E-mail: HZKAIPU@YAHOO.COM.CN

Address: No.588-2 of Feijiatang Road,3rd floor,Xiacheng science Park,Hangzhou City,Zhejiang,China.

Postcode: 310004