

19. YD series circular rainproof connectors



YD series circular rain proof connectors are used extensively in line connections between electrical equipment, various instruments and meters. It meet GB5226, They have the features of small volume, light weight, convenient application, high durability of plugging and unplugging, Square threaded coupling, IP54 protection. It is the ideal product of a new generation to replace the old P series connectors.

characteristics

1. The dimesions of YD is same as P series.
2. More safty: Have a earth pin, When the plug connect with the receptacle, the earth pin with connect first then others. when they dismiss, the earth pin will dismiss later;
3. Rain proof, IP54;
4. Dust cap of plug and receptacle, protact the connector;
5. The metal shell is connecting with the earth pin;
6. Back shell can connect with cable or metal tube.

Product Ordering

YD 20 J 3 ZM P
1 2 3 4 5 6

1. Name of series: YD series circular connectors
2. Shell size: 20, 28, 32, 40, 48, 55
3. Type of contact: J:pin, K:socket
4. Number of contacts: 3: mean 3 contacts
5. Type of connector: T: Plug, Z: receptacle, ZM: sealing receptacle
6. Back shell: P: Meet straight metal tube; Q: Meet straight cable; R: Meet angle metal tube; S: Meet angle cable;

Technical characteristics

Temperature	Relative humidity	Atmosphere	Vibration	Shock	Endurance
-45°C~ +85°C	93% At 40±2°C	100KPa~2 KPa	10~500Hz, 100m/s ²	40~80cycles/Min, 400m/s ²	500cycles

Environment	Voltage proof	Insulation resistance
-------------	---------------	-----------------------

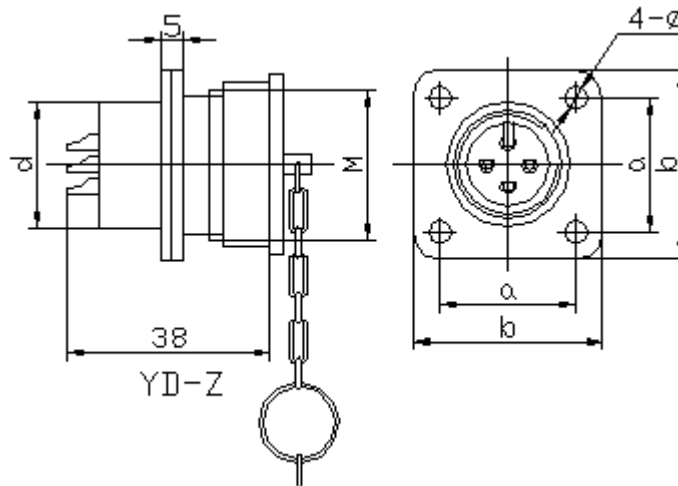
Normal	2000V	$\geq 2000M\Omega$
--------	-------	--------------------

Contacts diameter	Current	Voltage (pressure)				Contact resistance
		100Kpa	8.5KPa	4.4KPa	2KPa	
$\varnothing 1.5mm$	10A	450V	250V	175V	150V	$\leq 2.5m\Omega$
$\varnothing 2.5mm$	25A					$\leq 1m\Omega$
$\varnothing 3.5mm$	50A					$\leq 0.5m\Omega$
$\varnothing 5.5mm$	100A					$\leq 0.3m\Omega$
Shell to Shell						$\leq 2m\Omega$

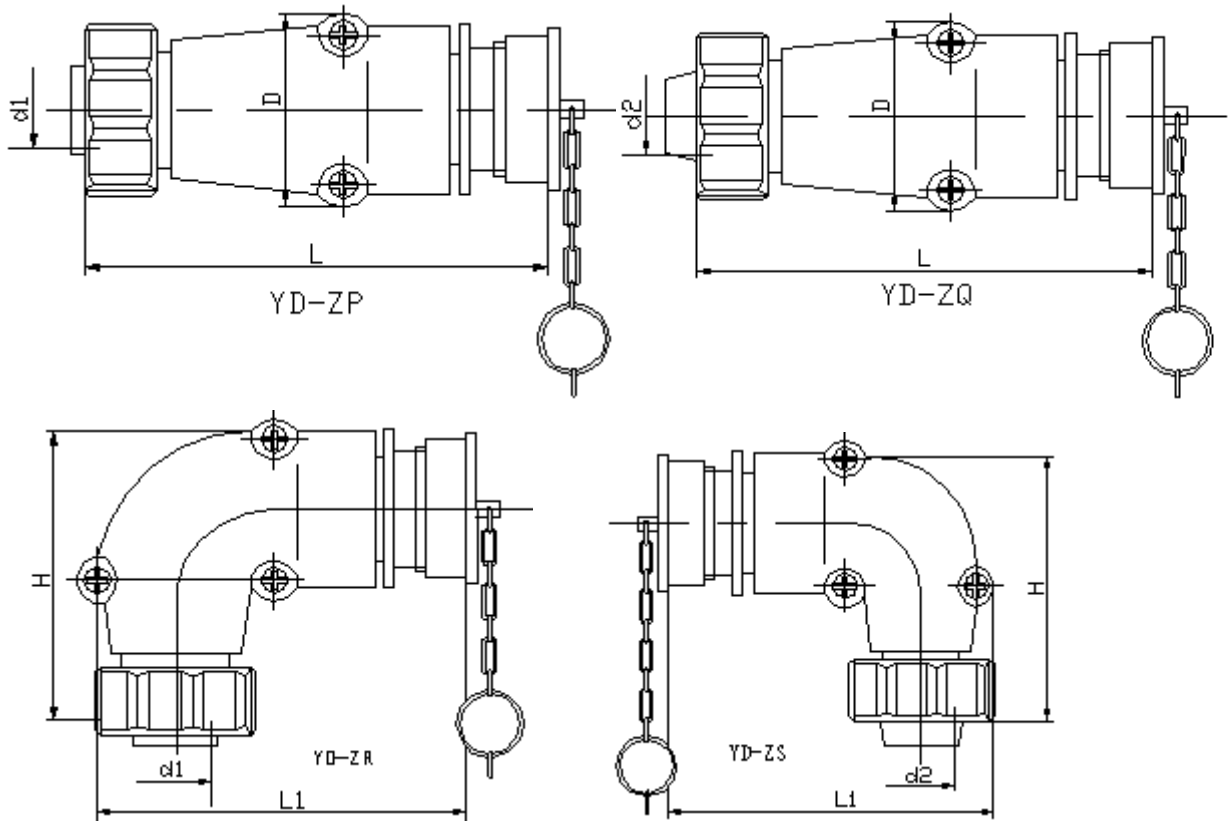
The numer of current of contacts lose value

Number of contacts	1-3	4-10	11-20	21-30	31-40	41-50	51-
Down %	0	10	20	30	40	50	60

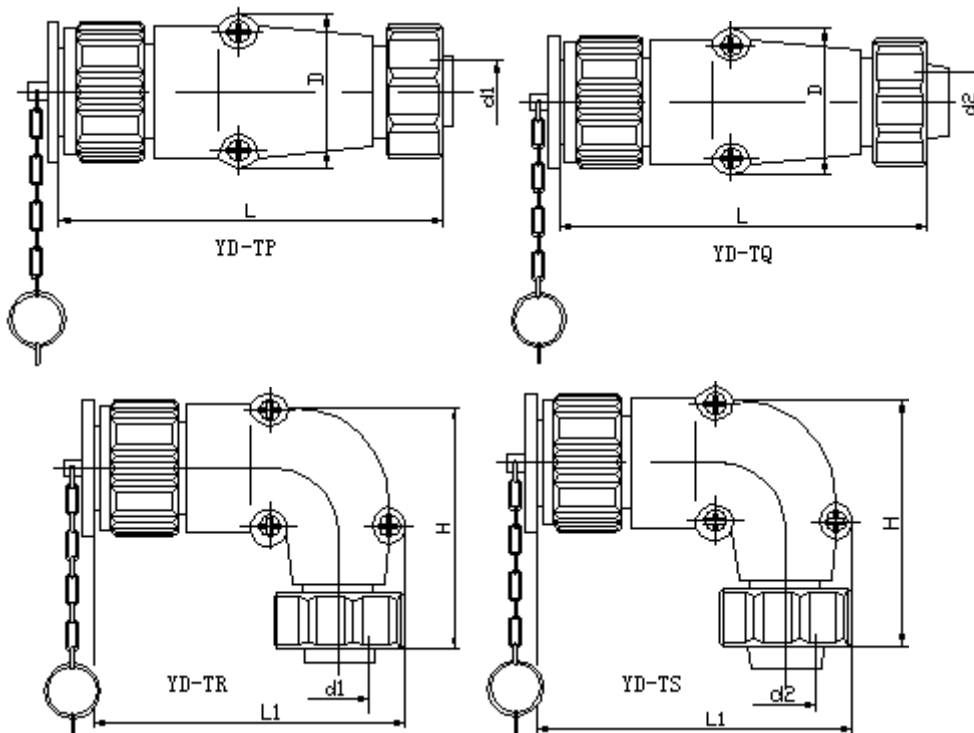
Dimensions (mm) : Receptacle: (Z, ZP, ZQ, ZR, ZS)



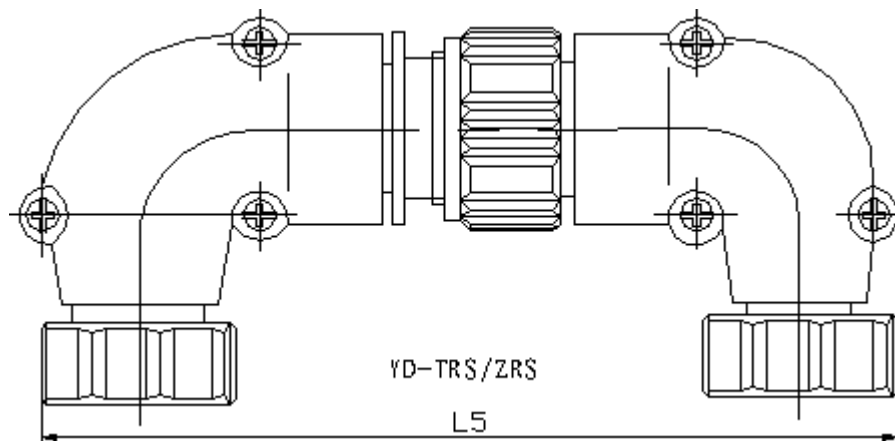
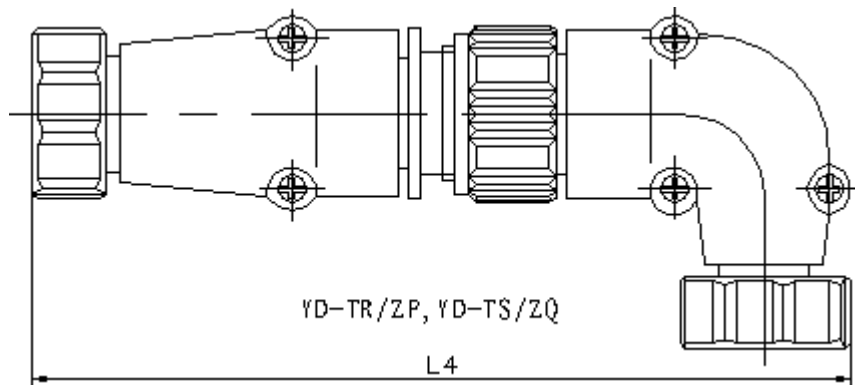
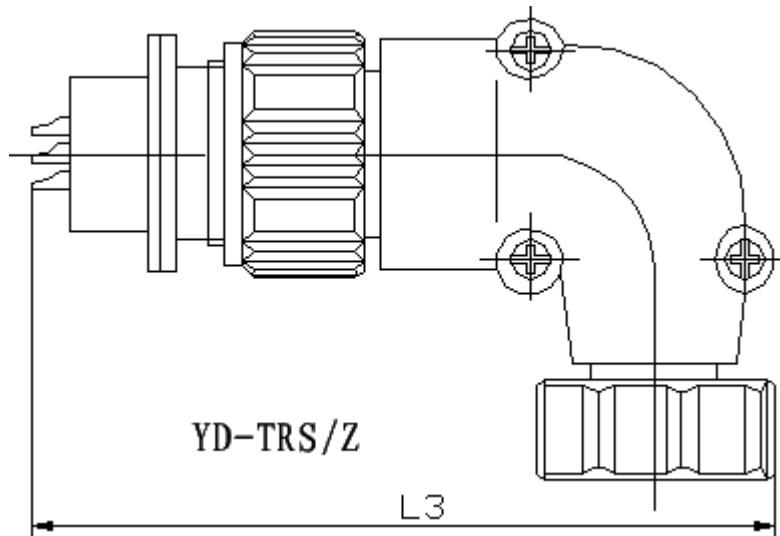
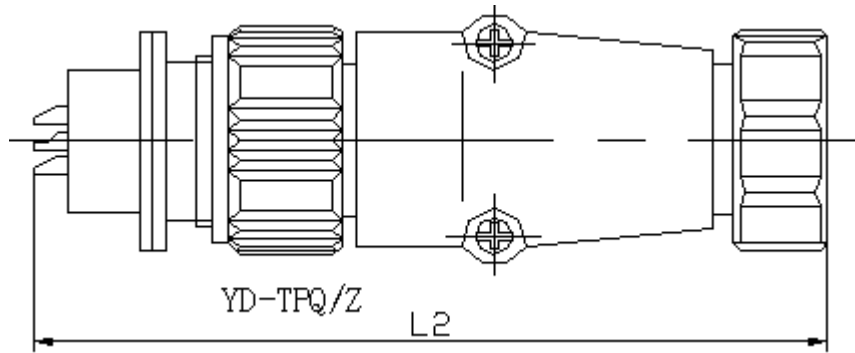
TYPE	d	M Square thread	a	b	ϕ	d1	d2	D	L	H
YD20	20.4	M25X2	22	32	3.5	10,12	6-9-12	35	80	63
YD28	28	M33X2	30	40		12,15	9-12-15	40	80	70
YD32	32	36X3	32	42		15,20	12-15-20	46	83	76
YD40	40	45X3	40	50	4.5	20,25	16-20-25	54	96	88
YD48	48	55X3.5	48	58		25,30	22-26	60	100	105
YD55	55	60X3.5	52	64		30,32	28-32	65	110	113

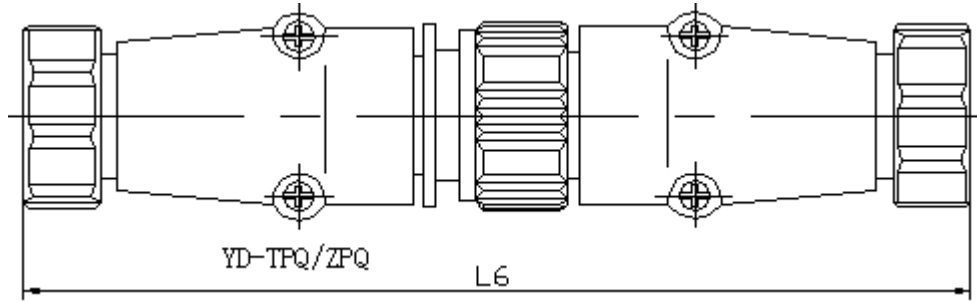


Plug (TP, TQ, TR, TS)



Plug with receptacle



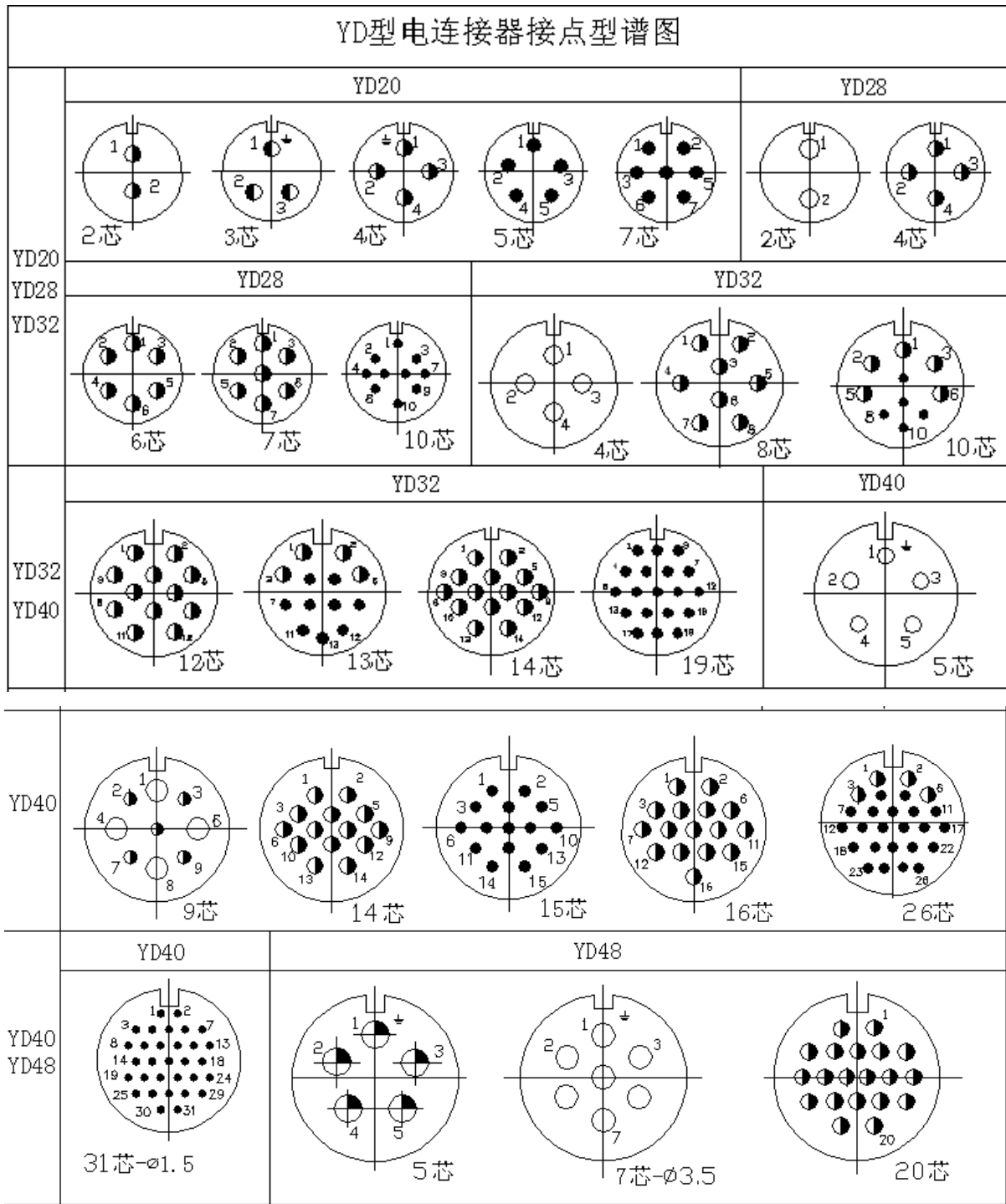


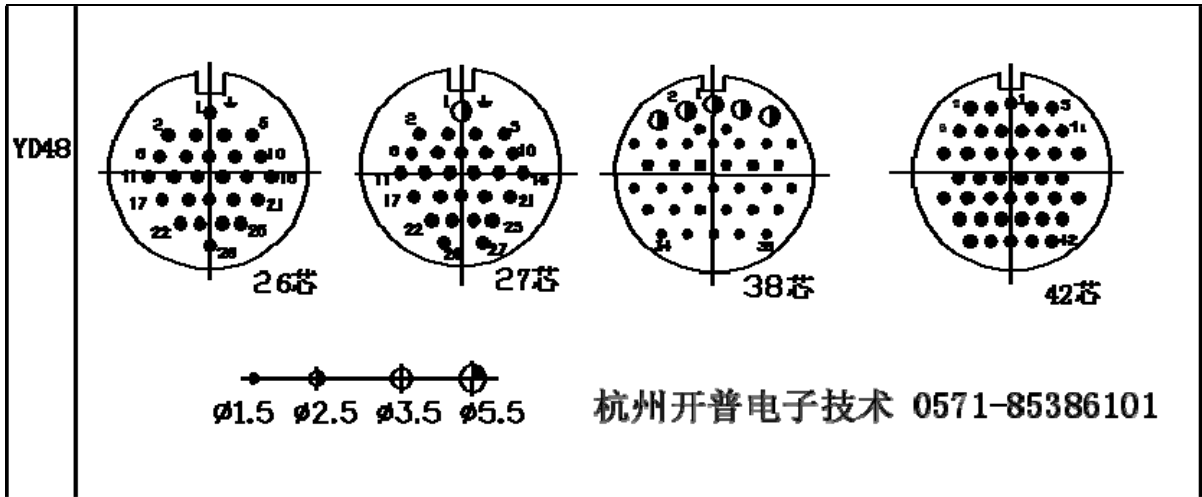
Type	D	d1	d2	L	H	L1	L2	L3	L4	L5	L6
YD20	36	10,12	6-9-12	78	63	65	104	91	130	110	145
YD28	41	12,15	9-12-15	78	70	75	104	101	140	120	148
YD32	45	15,20	12-15-20	84	76	78	110	104	150	130	157
YD40	54	20,25	16-20-25	90	88	90	116	116	170	150	180
YD48	61	25	22-26	98	105	95	124	121	175	170	185
YD55	67	32	28-32	110	113	105	136	131	205	185	215

YD series : type of contacts

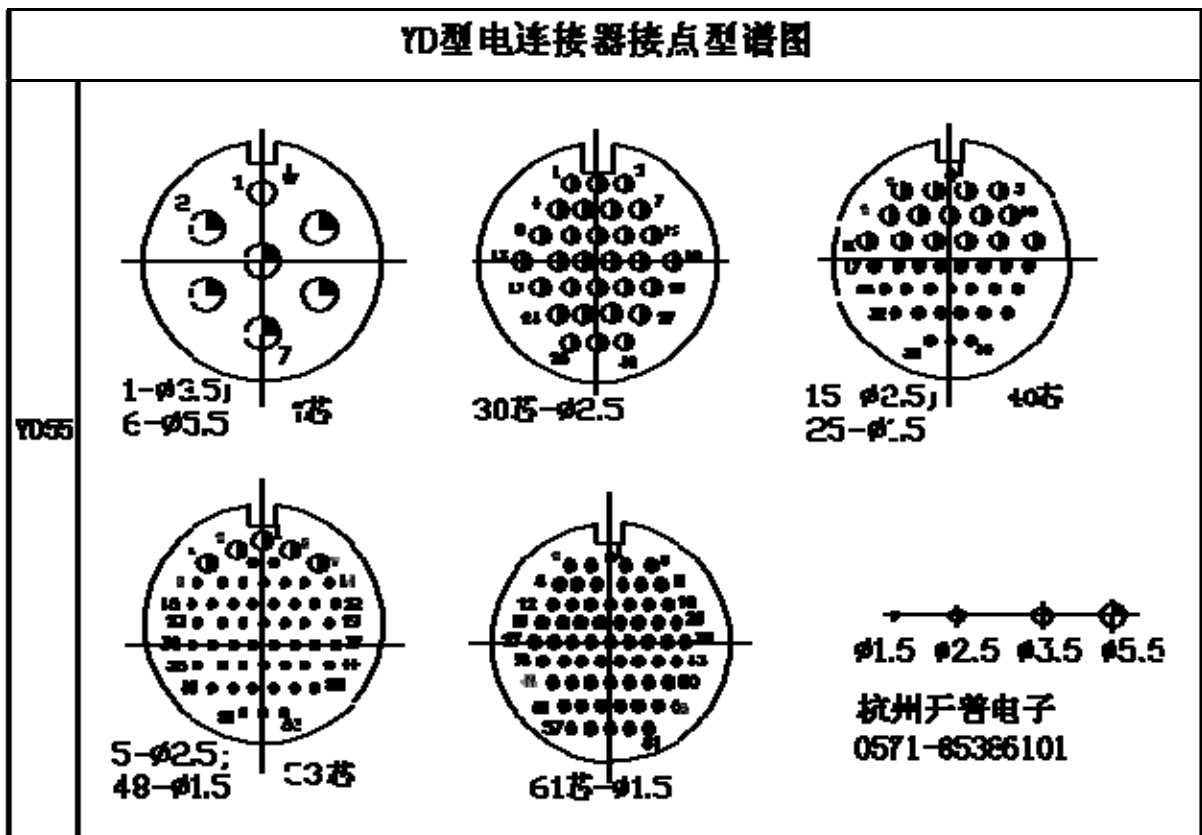
Type	Contacts				Type	Contacts				
	Sum	Ø1.5	Ø2.5	Ø3.5		Sum	Ø1.5	Ø2.5	Ø3.5	Ø5.5
YD20	2		2		YD40	5			5	
	3		3			9		5	4	
	4		4			14		14		
	5	5				15	15			
	7	7				16		16		
YD28	2			2	26	22	4			
	4		4		31	31				
	6		6		5				5	
	7		7		7			7		
	10	10			20		20			
YD32	4			4	YD48	26	26			
	8		8			27	26	1		
	10	5	5			38	33	5		
	12		12			42	42			
	13	9	4		YD55	7			1	6
	14		14			30		30		
19	19			40		25	15			
YD55	61	61			53	48	5			

The position of contacts of YD series





YD型电连接器接点型谱图



Hangzhou Kaipu Electronic Technique Co.,Ltd. <http://www.kpue.com>, www.kpue.net

Tel: 86-571-85386101

Mobile: 13588034590

Fax: 86-571-85350139

E-mail: HZKAIPU@YAHOO.COM.CN

Address: No.588-2 of Feijiatang Road,3rd floor,Xiacheng science Park,Hangzhou City,Zhejiang,China.

Postcode: 310004

Tel:86-571-85386101, 85350139 (Fax) ,

E-mail: kpue@tom.com