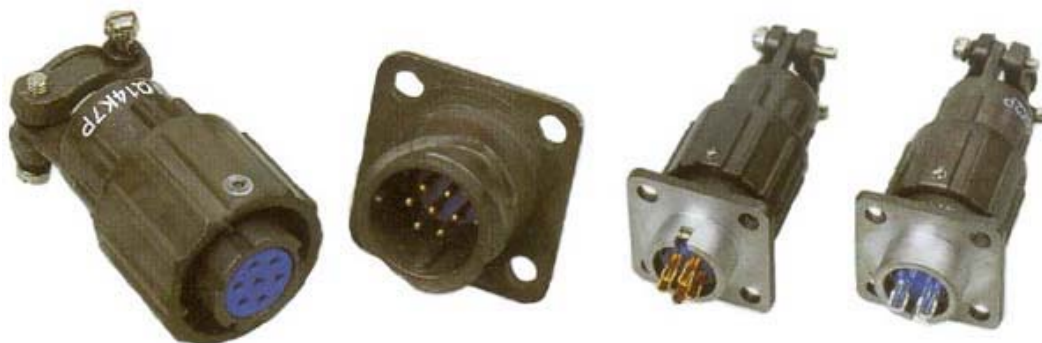


Q series connectors



Products introduction

Q series connectors are made according to Electronic industrial Department standard SJ1744. The wire of pin and socket use solder termination. The plug and receptacle can be mounted with pins or socket. These connectors are small, light, quickly mating and unmating, etc. They are widely used for the electrical connection between instruments, equipments.

Product Ordering

<u>Q</u>	<u>14</u>	<u>J</u>	<u>5</u>	<u>A</u>	<u>J</u>
1	2	3	4	5	6

1. Name of series : Q
2. Shell size : 14,18,24,30
3. J—Pin, K—Socket
4. Number of contacts : 1,2,3,4,5,6,7,9,10,12,16,19,26,32,42,55
5. A—Receptacle , without A—Plug
6. J—Au-plated , without J—Ag-plated

Technical characteristics

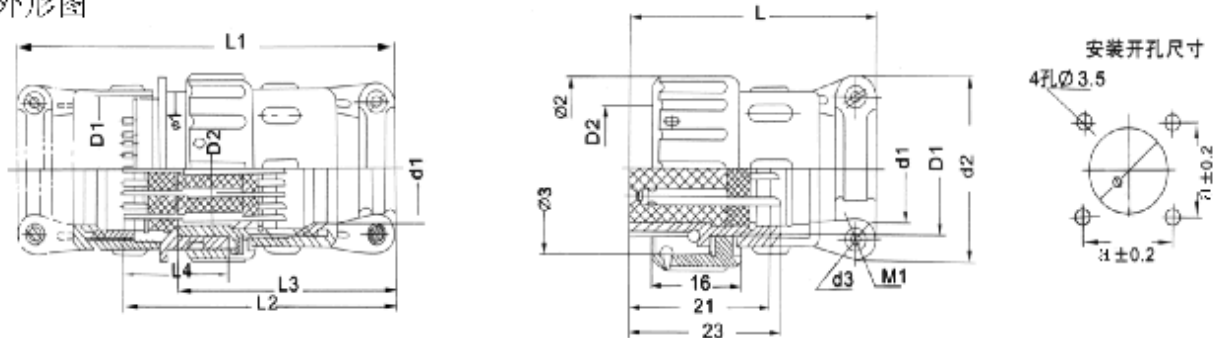
Temperature	Relative humidity	Atmosphere	Vibration	Shock
-55° C~+100° C	98% at40° C	1KPa	10~2000Hz,150m/s ²	500m/s ²

Current	Voltage	Contact resistance	Endurance
1A	110V	$\leq 15\text{m}\Omega$	500cycles
2A	110V	$\leq 10\text{m}\Omega$	
3A	250V	$\leq 5\text{m}\Omega$	
10A	400V	$\leq 2.5\text{m}\Omega$	
25A	400V	$\leq 1\text{m}\Omega$	
40A	400V	$\leq 1\text{m}\Omega$	
50A	400V	$\leq 1\text{m}\Omega$	

Environment	Voltage proof	Insulation resistance
Normal	1200V	$\geq 5000\text{M}\Omega$
High temperature	900V	$\geq 500\text{M}\Omega$
Moisture	500V	$\geq 50\text{M}\Omega$
Low pressure	200V	-

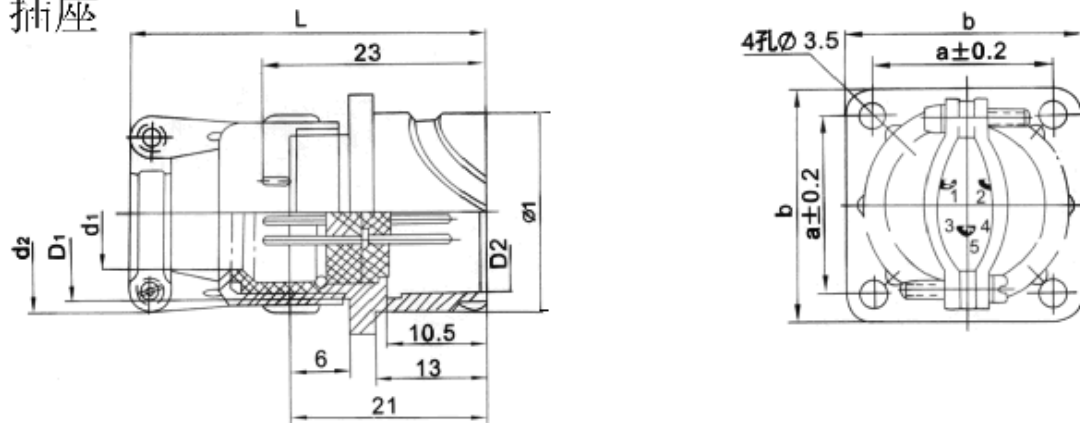
Dimensions

外形图



类型	L1	L2	L3	L4	D1 左	D2	d1	d2	d3	Ø1, Ø3	Ø2	Ø	M1	L	a	
Q14	标准	71	52	40	23	M14	Ø12.2	6	20	Ø2.8	16.8	21	14.5	M2.5	40	17
Q18	标准	71	52	40	23	M18	Ø16.6	9.4	23	Ø2.8	21.2	27	18.5	M2.5	40	20
	加长	87	60	48	23	M18	Ø16.6	9.4	23	Ø2.8	21.2	27	18.5	M2.5	48	20
Q24	标准	87	60	48	23	M24	Ø22.6	14	31	Ø3.5	27.2	33	24.5	M3	48	26
	加长	103	68	56	23	M24	Ø22.6	18	34	Ø3.5	27.2	33	24.5	M3	56	26
Q30	标准	87	60	48	23	M30	Ø28.6	18	35	Ø3.5	33.2	39.5	30.5	M3	48	31
	加长	103	68	56	23	M30	Ø28.6	22	38	Ø3.5	33.2	39.5	30.5	M3	56	31

插座



类型		a	b	D1 左螺纹	D2	Ø1	d1	d2	L
Q14	标准	17	24	M14×1	Ø12.2	16.8	6	20	40
Q18	标准	20	27	M18×1	Ø16.6	21.2	9.4	23	40
	加长	20	27	M18×1	Ø16.6	21.2	9.4	23	48
Q24	标准	26	33	M24×1	Ø22.6	27.2	14	31	48
	加长	26	33	M24×1	Ø22.6	27.2	18	34	56
Q30	标准	31	38	M30×1	Ø28.6	33.2	18	35	48
	加长	31	38	M30×1	Ø28.6	33.2	22	38	56

Type	Number	Contact¤t	Type	number	Contact¤t
Q14	2,3,4	1.5 ,10A/400V	Q18	1	1.5, 10A/2000V
	5,6,6A,7	1.0, 3A/400V		2	2.5, 25A/400V
	9,10	0.8, 2A/110V		3,4,5,6,7	1.5, 10A/400V
	13	0.7,1A/110V		12	1.0 , 3A/400V
Q24	1	1.5, 10A/3000V	Q30	2	5.5 ,100A/400V
	4,6	2.5, 25A/500V		9	2.5 ,25A/400V
	4A,6A	3.5, 10A/500V		16	2.0, 18A/400V
	10	1.5,10A/400V		32	1.0 ,3A/400V
	19,26	1.0 ,3A/250V		42,55	1.0 , 2A/250V

Hangzhou Kaipu Electronic Technique Co.,Ltd.

Tel: 0571-85386101

Mobile: 13588034590

Fax: 0571-85350139

E-mail: kaipu@126.com

Add:588-2, Feijiatang Road, Hangzhou City, Zhejiang, China Postcode : 310004