

- . # #./# ! 01
2 # # # " ' " # - # 2 #45##) ! #
- . # #./# ! 01
2 # # # " ' " # - # 2 #45##) ! #

6/132 17 823
99 013: 99"" ;* :5/32 01 :5/32

7
7

\$(#/# # & 13 5 '3 < =>
" # # !# # % (? + ,: !\$ # @ \$ # #+:@5 ,
& & !\$ \$(3! # " # (+3 5 , # # !\$" "

%

%

(# A! # # # #
!# # % (? + ,: !\$ # @ \$ # #+:@5 , &
B+ C > C# !\$" "

!" # ## \$! % # ! & ! & # ' #(!#!) # (# # #
!" # !# & !# # " (\$! ! % # & *# & ! &##
(" + , # ! " + , # (# (

!" # \$

% & '

()		*	+	,	%
# #	D ? =	? ? =	- 3 D ?	? 7 :		
" # D # ("	? < =	? = = ?	3 D ?	? 7 :		
\$! (+ 8 ,	? =	D ? = D ?	* : 3 D <<	? 7 :		
8 #) (\$! (+ 8 8 ,	? ?	? ? =	* : 3 D <<	? 7 :		
+ ? (+ % (, + 3 5 ,	D ?	= ? ? =	* : 3 D <<	? 7 :		
? ? \$! (? D " ? % (#	? <	? ?	* : 3 D <<	? 7 :		
5 % \$ " (# + 5 8 , # " . #	D = ? D +	= ? << < D ? ? D = ? D = ?	* : 3 D <<	? 7 :		
: # # #	= ? D =	? D ?	* : 3 D <<	? 7 :		
8 + \$! (# F	? ?	? ? <	/ : 0 =	? 7 :		
\$ F F	? <	= D ? = <	* : 3 8 : 3 << D =	/ ? 0 3 G /		
# # % F	? ?	? ?	* : 3 <<	/ ? 0 3 :		
# % F F	? D	= ? ?	* : 3 <<	/ ? 0 3 :		
2 (# # F F	? D	= = D ? D	* : 3 <<	/ ? 0 3 :		
(# F F	D = ? =	? < ?	* : 3 <<	/ ? 0 3 :		
: ! " " F F	D ? <	= = < ? ? ? ?	* : 3 <<	* @ ? @		

!" # ## \$! % # ! & ! & # ' # (! # !) # (# # #
 # ! " # ! # & ! # # " (\$! ! ! % # & * # & ! & # #
 # (" + , # ! " + , # (# (

&'

()		*	+	,	%
(#	? =?	=<? ?	*: 3 D <<	(?7:		
8 FF	? <? D? D	D ? ? ? ?	*: 3 <<	916G / ?03:		
!" \$ # (!FF	? D ?	? D ? =<? D ?< ?	*: 3 <<	916G / ?03:		
\$ # !" % (FF	? D ?	=?=	*: 3 <<	916G / ?03:		
: !" " FF	? <?	=== ?	*: 3 << *: 3 <<	916G / ?03G * @?@		
" !" " FF	? D ?	== <?	*: 3 << *: 3 <<	916G / ?03G * @?@		
" # !" " FF	? D ?	== <? <	*: 3 <<	916G * @?@		
!" FF "	? < ?	=== ?	*: 3 << *: 3 <<	916G / ?03G * @?@		

!" # ## \$! % # ! & ! & # ' #(!#!) # (# # #
!"# # !# & !# # " (\$! ! % # & *# & ! &##
(" + , # ! " + , # (# (

/ &'

()		*	(+	,	
\$ #, ! FF	? D?	D? D	*: 3 <<	/ ? 0 3:		%
\$ #, # FF	? D ?	D ?	*: 3 <<	/ ? 0 3:		
\$ #, \$ # F	? <?	? = <?	*: 3 <<	/ ? 0 3:		
\$ #, FF	? = ?	= ? D ?	*: 3 <<	/ ? 0 3:		
? 7 % (#	? = ?	< ? ?	*: 3 D <<	? 7:		
? 3 % (#	? D ?	? ?	*: 3 D <<	? 7:		
" !" % FF	? = ?	? ?	*: 3 <<	* @ ? @ /		
# " !" % # " + " " 0 " " # " FF	? ? ? ?	== ? < D ? ?	*: 3 <<	* @ ? @ /		

!"# \$ % & ' () * + , - . / 0 1 2 3 4 5 6 7 8 9 : ; < = > ? @ [\] ^ _ ` { | } ~ ! " # \$ % & ' () * + , - . / 0 1 2 3 4 5 6 7 8 9 : ; < = > ? @ [\] ^ _ ` { | } ~

=

1 2 &'

()		*	(+	'	%
# FF	?<	=== ?<	*: 3 <<	916 G / ?03:		
8 + ?" %((?< D	?< ?	*: 3 D <<	?7:		
? #	?D	=? ?	*: 3 D <<	?7:		
D?+ ? "	?D	D ? ?	*: 3 D <<	?7:		
+D? ?0 (?<	< ? D?	*: 3 D <<	?7:		
?7 %(# #	?<	< ? D?	*: 3 D <<	?7:		
? # #						
8 + ?" %((73)	D?	=? ?	*: 3 D <<	?7:		
6 " (" # ! &	? ?	D? =	*: 3 D <<	?7:		
# # # 7 ,						
- # !" #	???	???	*: 3 <<	916 G / ?03:		
1 (" 6 \$						
+ - ?1 6 , FF						
!" # 1	???	???	*: 3 <<	916 G / ?03:		
" 6 \$ +1 6 , F						
#) # " (% FF	?D	D< ?	*: 3 << *: 3 <<	916 G / ?03G * @ ? @		
(% (% " F	D? <	? ?	*: 3 << *: 3 <<	916 G / ?03G * @ ? @		
) #						
+ " !" , FF	D ?	D ? <	*: 3 << *: 3 <<	916 G / ?03G * @ ? @		

!" # ## \$! % # ! & ! & # ' # (!# !) # (# # #
 # ! " # ! # & ! # # " (\$! ! ! % # & * # & ! & # #
 # (" + , # ! " + , # (# (

% - 7 & ' () * + , %

()	*	+	,	%
?+ 5? \$ #) ?D ? # () +* @? ,	D=?	<= ?	*: 3 D <	?7:	
?+ 4? 5(% (? ? \$! (# (, \$) +* @? ,	? D	D ? =	*: 3 D <	?7:	
" ! " ! FF	? ?	== < ? =	*: 3 8 <	916 G / ?03:	
" ! " ! FF	? ?	D? < ?	*: 3 8 <	916 G / ?03:	
? (% (? (?D D? % ? ? % ? ? ## # 0 3	< ?	= ?	*: 3 D <	?7:	
1 # ? (% (? (?D D? % ? ? % ? ? ## # # ? (% (? (?D? LL ? % (, % (M? ? % M? D? (? = ? ? ?D? # + " 0 3 # 70 3 ,	? ?	? ?	*: 3 D <	?7:	

!"# \$ % & ' () * + , - . / 0 1 2 3 4 5 6 7 8 9 : ;

%.</p></div>

&'</p></div>

Table with 7 columns and 3 rows containing symbols like (\$ #) # \$ % (, ? ? ? J(I, = ? < D, *: 3, D <<, ? 7:, +3, ? <?, and L ' ##(# ' L M# L M #(" \$ # # M.

%/</p></div>

&'</p></div>

Table with 7 columns and 5 rows containing symbols like D ? = ? = ?, *: 3, D <<, ? 7:, #)) ? ?(, #, ? + 5 ? \$ #)) ?, ? \$! (, ? ? + ? \$! (, + * @ ? , \$ #) #, ? = ? < ? < ?, ! # # # ? ? + < < , ? D D = ? ? = ? < ? D < ? D D < ? # # # ! " # " # ! ".

!"# ## \$! % # ! & ! & # ' #(!#!) # (# # # # !"# # !# & !# # " (\$! ! % # & *# & ! ## # (" + , # ! " + , # (# (

!"#\$%&'()*+,-./0123456789:;<=>@ABCDEFGHIJKLMNO PQRSTUVWXYZ[\]^_`{|}~

*

8 J . J

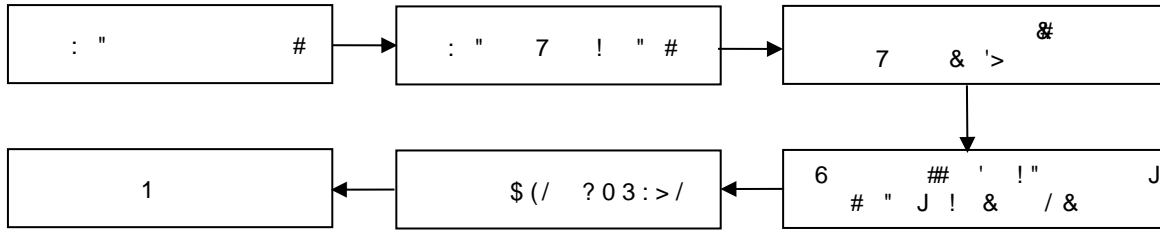
+ ; > J P " P B I
+ , P + Q 7 2 , I
+ 7 2 P 7 # 2 " I
+ D F F ! \$ # ! \$ (! \$! (# " # + 3 % # 2
\$ 5 % ' # " ! " : # ! " # ! " - # ! " " ! " 7 (\$ # ! " 8 #
! " : ! " : # ! 8 ! " " ! " - # ! " # ! , " 7 2 ' !
\$! (# " # + 3 % # 2 \$ 5 % ' # " ! " : # ! " # ! " - # ! "
" ! " 7 (\$ # ! " 8 # ! " : ! " : # ! 8 ! " " ! " - # ! "
! , I
+ , + , " # (: @ 5 " \$ (" # ! # (\$ # (# A ! # ! \$ \$ (3 5 # > > ! ! > " R #
! # ' ! \$ (3 5 # " (! \$. # # ! ! I
+ \$ / # # & 1 ! # 3 , < = > # (! " # (3 5 # # & D = ! \$ # " # = #
& < + , 1 ! # + i , ! \$ # # # #
A ! # # ' # # # ! " (I # + i , ! \$ #
\$ ' # # # B & \$ (& + & > & , I
+ , 1 ! # 3 , < = > A ! ! # # # # ! \$ #
" # # = # # # # # & < + , # # # \$ # '
B & \$ (& + & > & , ' # & ! # # " # \$
! & ! # ! # " # " ! " # " ! \$ #

! " # # \$! % # ! & ! & # ' # (! # !) # (# # #
! " # ! # & ! # # " (\$! ! % # & * # & ! & # #
(" + , # ! " + , # (# (

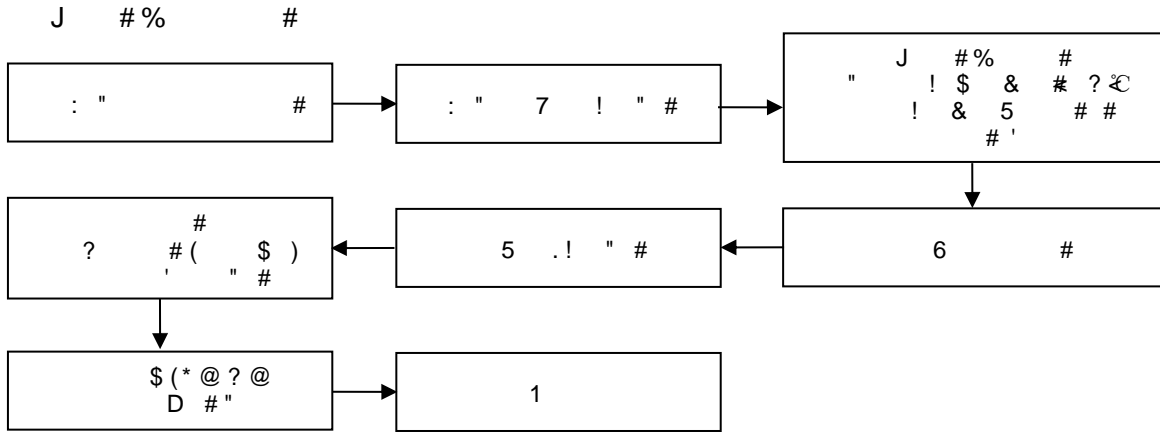
=

8 9 7

\$(Hugo



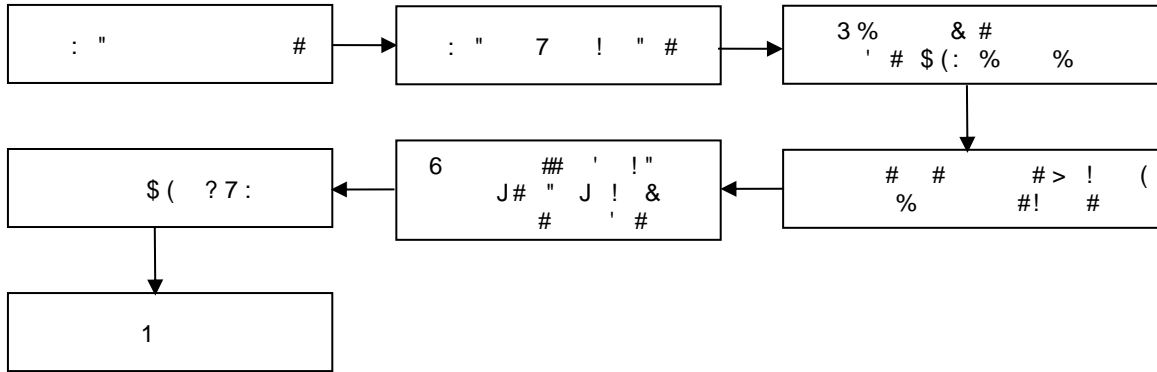
\$(Paul



!"# \$ % & ' () * + , - . / 0 1 2 3 4 5 6 7 8 9 : ; < = > ? @ [\] ^ _ ` { | } ~

!"#\$%&'()*+,-./:0123456789@[]_{}|~

\$(Fred



* +



DGC160325013-02



FFF3#1

FFF

!\" # ## \$! % # ! & ! & # ' # (!# !) # (! # # #
!\" # !# & !# # \" (\$! (# % # & *# & ! &##
(\" + , # ! \" + , # (# (

!\"#\$%&' ()\"\" * + !\"#\$%&' ()\"((, - # . / 0 11222 # .