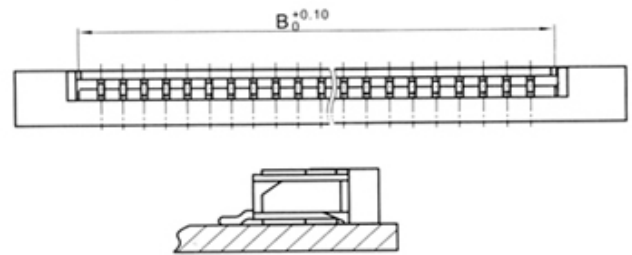
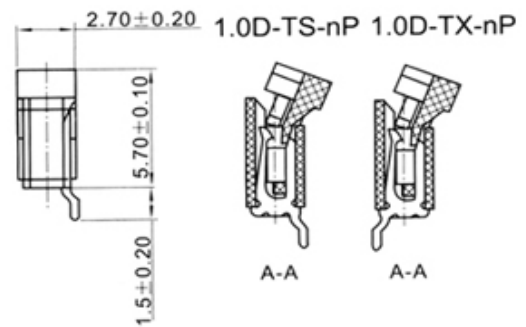
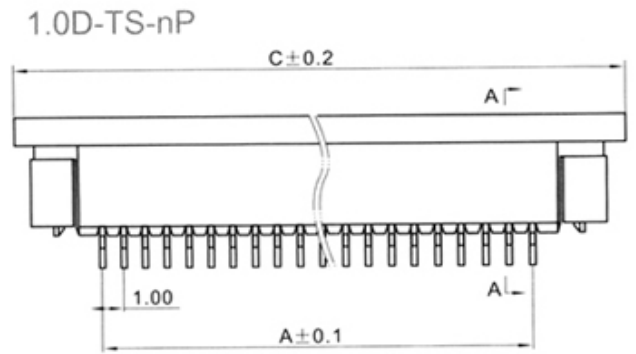
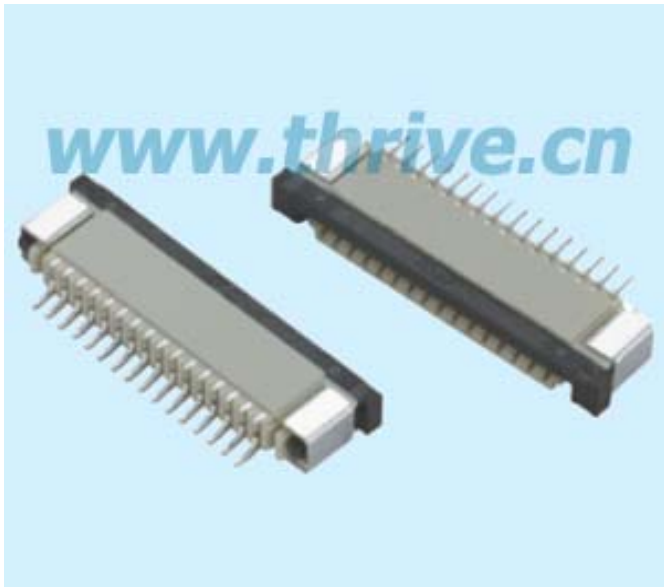
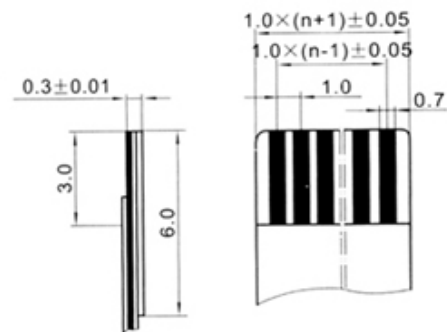
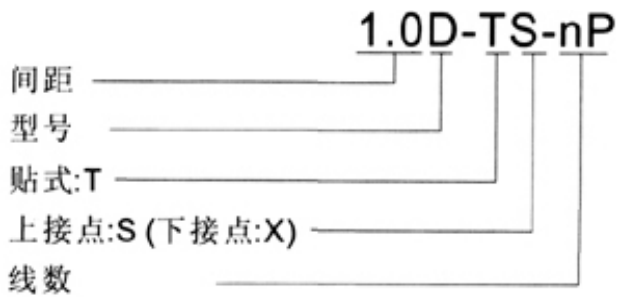


# 1.0mm pitch ZIF Right Angle SMT FFC/FPC connector

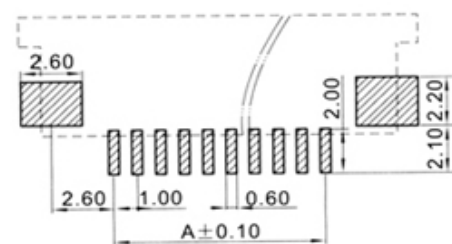
1.0A-TS-nP



安装图  
ASSEMBLY LAYOUT



适用扁平电缆  
Proper cable



印制线路板  
PCB P.C.B Layout

## Contact parts

\*Material: Phosphor bronze

## Body:

\*Material: Nylon 46, UL94V-0

## Packing

- \* Brede
- \* Tube
- \* Bag

