

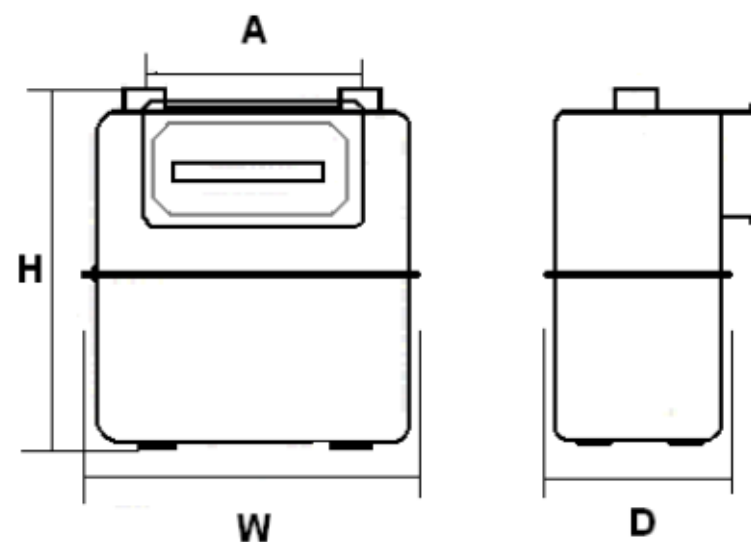
DOMESTIC MECHANICAL GAS METERS:

G1, G1.6, G1A, G1.6A, G1.6 (S), G2.5 (S), G4 (S), G1.6 (A), G2.5 (A), G4 (A)

ITEM	UNIT	MODEL										
		G1	G1.6	G1(A)	G1.6(A)	G1.6(S)	G2.5(S)	G4(S)	G1.6(A)	G2.5(A)	G4(A)	
Nominal flow-rate (Qn)	m ³ /h	1.0	1.6	1.0	1.6	1.6	2.5	4	1.6	2.5	4	
Maximum flow-rate (Qmax)	m ³ /h	1.6	2.5	1.6	2.5	2.5	4	6	2.5	4	6	
Minimum flow-rate (Qmin)	m ³ /h	0.016	0.016	0.016	0.016	0.016	0.025	0.040	0.016	0.025	0.040	
Total pressure absorption	Pa	≤ 160 ~ ≤ 200										
Operation pressure range	kPa	0.5 ~ 30kPa				0.5 ~ 50kPa			0.5 ~ 100kPa			
Cyclic volume	dm ³	0.7				1.2						
Permissible error	Qmin ≤ Q < 0.1Qmax	%	± 3									
	0.1Qmax ≤ Q ≤ Qmax	%	± 1.5									
Min. recording reading	dm ³	0.2										
Max. recording reading	m ³	9999.999				99999.999						
Operation ambient temperature	°C	-20 ~ +40										
Storage temperature	°C	-20 ~ +50										
Central distance	mm	130										
Connection thread		M30 x 2, 3/4", 1"1/4 (or by customized)										
Dimension	mm	H234xW174xD123 mm				H225xW195xD170 mm			H230xW200xD175 mm			
Weight	kg	1.95				2.00			2.10			
Outside casings		Die cast aluminum alloy				Quality steel sheet			Die cast aluminum alloy			
Service life	years	10										
Surface painting		Polyester powder plastics coating (gray)										
Index cover		Printed index cover of polycarbonate or index cover of aluminum bezel with glass.										



MODEL	A	H	W	D
G16A	130mm	234	174	12E
G25A	130mm	237	203	17E
G4A	130mm	237	203	17E
G16S	130mm	225	195	17L
G25S	130mm	225	195	17L
G4S	130mm	225	195	17L



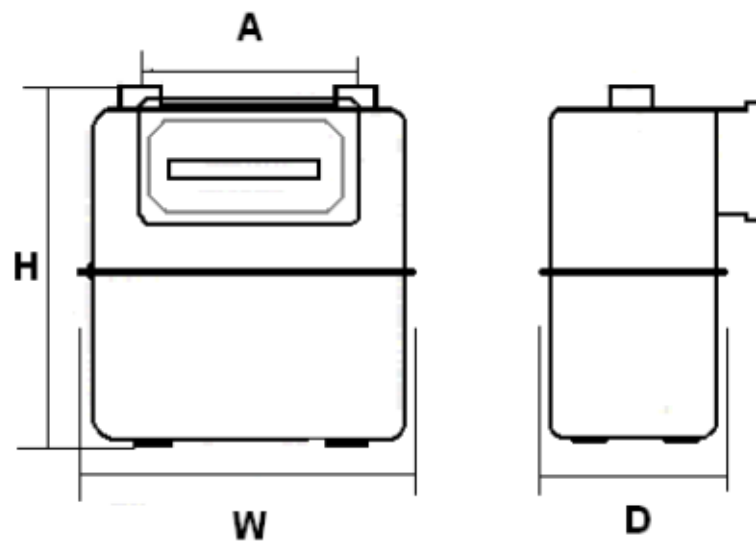
INTELLIGENT INTEGRATIVE PREPAID GAS METERS:

ZG1.6A, ZG1.6(S), ZG2.5(S), ZG4(S), ZG1.6 (A), ZG 2.5(A), ZG4 (A)

ITEM	UNIT	MODEL						
		ZG1.6A	ZG1.6(S)	ZG2.5(S)	ZG4(S)	ZG1.6(A)	ZG2.5(A)	ZG4(A)
Nominal flow-rate (Qn)	m ³ /h	1.6	1.6	2.5	4	1.6	2.5	4
Maximum flow-rate (Qmax)	m ³ /h	2.5	2.5	4	6	2.5	4	6
Minimum flow-rate (Qmin)	m ³ /h	0.016	0.016	0.025	0.040	0.016	0.025	0.040
Total pressure absorption	Pa	≤ 160 ~ ≤ 250						
Operation pressure range	kPa	0.5 ~ 30kPa	0.5 ~ 50kPa			0.5 ~ 100kPa		
Cyclic volume	dm ³	0.7	1.2					
Permissible error	Qmin ≤ Q < 0.1Qmax	%	± 3					
	0.1Qmax ≤ Q ≤ Qmax	%	± 1.5					
Min. recording reading	dm ³	0.2						
Max. recording reading	m ³	9999.999	99999.999					
Operation ambient temperature	°C	-20 ~ +40						
Storage temperature	°C	-20 ~ +50						
Central distance	mm	130						
Connection thread		M30 x 2, 3/4", 1"1/4 (or by customized)						
Dimension	mm	H234xW174xD123 mm		H225xW195xD170 mm			H230xW200xD175 mm	
Weight	kg	1.95		2.00			2.10	
Outside casings		Die cast aluminum alloy		Quality steel sheet			Die cast aluminum alloy	
Service life	years	10						
Surface painting		Polyester powder plastics coating (gray)						
Index cover		Printed index cover of polycarbonate or index cover of aluminum bezel with glass.						



MODEL	A	H	W	D
ZG1.3A	130mm	234	174	72
ZG2.5A	130mm	237	202	72
ZG4A	130mm	237	202	72
ZG1.3S	130mm	222	192	72
ZG2.5S	130mm	222	192	72
ZG4S	130mm	222	192	72



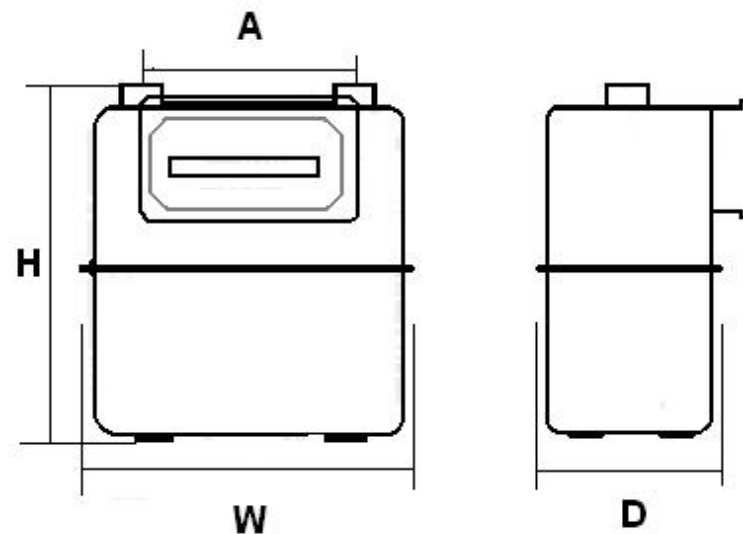
PULSE GAS METERS:

PG1, PG1.6, PG1.6 (S), PG2.5 (S), PG4 (S), PG1.6 (A), PG2.5 (A), PG4 (A)

ITEM		UNIT	MODEL							
			PG1	PG1.6	PG1.6(S)	PG2.5(S)	PG4(S)	PG1.6(A)	PG2.5(A)	PG4(A)
Nominal flow-rate (Qn)		m ³ /h	1.0	1.6	1.6	2.5	4	1.6	2.5	4
Maximum flow-rate (Qmax)		m ³ /h	1.6	2.5	2.5	4	6	2.5	4	6
Minimum flow-rate (Qmin)		m ³ /h	0.016	0.016	0.016	0.025	0.040	0.016	0.025	0.040
Total pressure absorption		Pa	≤ 160 ~ ≤ 200							
Operation pressure range		kPa	0.5 ~ 30kPa		0.5 ~ 50kPa			0.5 ~ 100kPa		
Cyclic volume		dm ³	0.7		1.2					
Permissible error	Qmin ≤ Q < 0.1Qmax	%	± 3							
	0.1Qmax ≤ Q ≤ Qmax	%	± 1.5							
Min. recording reading		dm ³	0.2							
Max. recording reading		m ³	9999.999		99999.999					
Sensor style			Read relay or Hall element (DC3 ~ 12V)							
Operation ambient temperature		°C	-20 ~ +40							
Storage temperature		°C	-20 ~ +50							
Central distance		mm	130							
Connection thread			M30 x 2, 3/4", 1"1/4 (or by customized)							
Dimension		mm	H234xW174xD123 mm		H225xW195xD170 mm			H230xW200xD175 mm		
Weight		kg	1.95		2.00			2.10		
Outside casings			Die cast aluminum alloy		Quality steel sheet			Die cast aluminum alloy		
Service life		years	10							
Surface painting			Polyester powder plastics coating (gray)							
Index cover			Printed index cover of polycarbonate or index cover of aluminum bezel with glass.							



MODEL	A	H	W	D
PG1	130mm	234	174	123
PG1.6A	130mm	234	174	123
PG2.5A	130mm	237	203	178
PG4A	130mm	237	203	178
PG1.6S	130mm	225	195	170
PG2.5S	130mm	225	195	170
PG4S	130mm	225	195	170



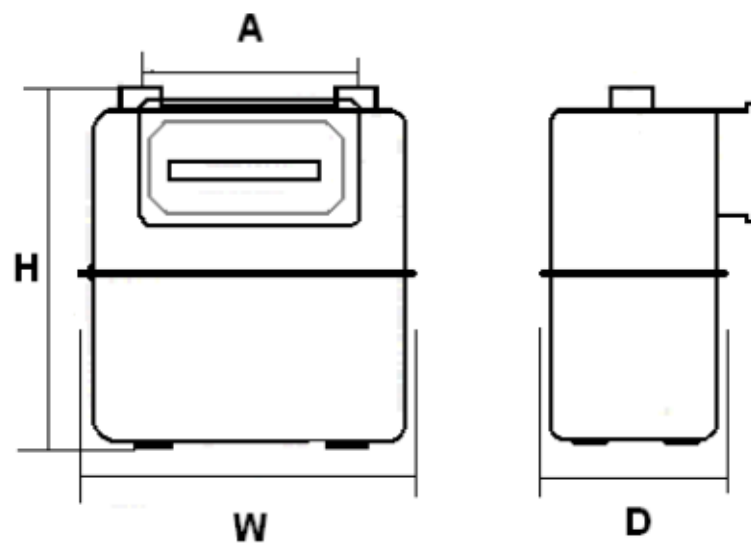
COMMERCIAL AND INDUSTRIAL GAS METERS:

G6, G6S, G10A, G10S, G16, G25, G40, G65, and G100

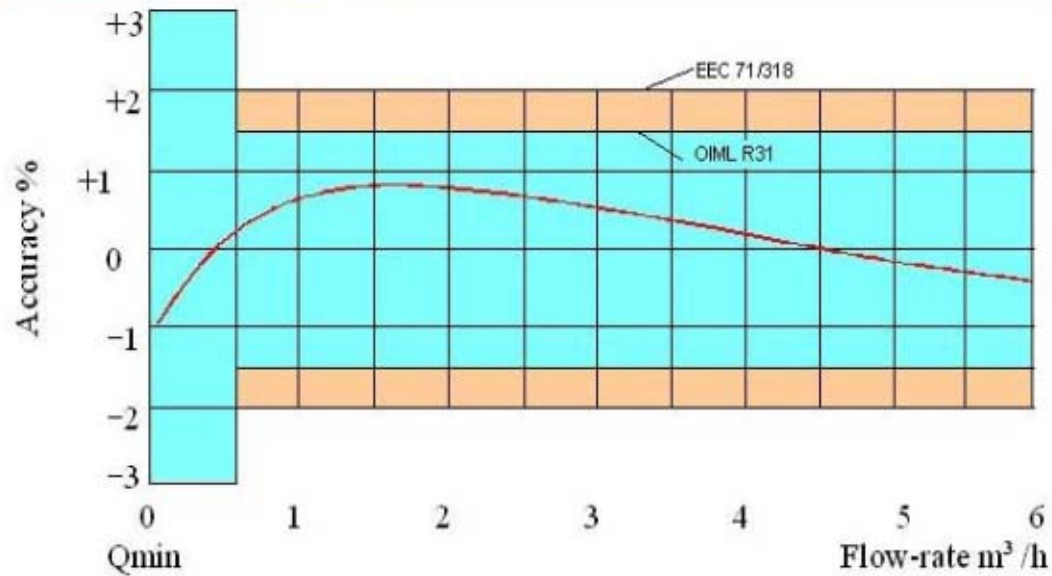
ITEM		UNIT	MODEL								
			G6 (S)	G6 (A)	G10(S)	G10(A)	G16	G25	G40	G65	G100
Nominal flow-rate (Qn)		m ³ /h	1.0	1.6	1.0	1.6	1.6	2.5	4	1.6	100
Maximum flow-rate (Qmax)		m ³ /h	1.6	2.5	1.6	2.5	2.5	4	6	2.5	160
Minimum flow-rate (Qmin)		m ³ /h	0.016	0.016	0.016	0.016	0.016	0.025	0.040	0.016	1.00
Total pressure absorption		Pa	≤ 200				≤ 250				≤ 350
Operation pressure range		kPa	0.5 ~ 50kPa								
Cyclic volume		dm ³	5		6		10	20	30	60	120
Permissible error	Qmin ≤ Q < 0.1Qmax	%	± 3								
	0.1Qmax ≤ Q ≤ Qmax	%	± 1.5								
Min. recording reading		dm ³	0.2				2.0				20
Max. recording reading		m ³	99999.999				999999.99				9999999.9
Operation ambient temperature		°C	-20 ~ +40								
Storage temperature		°C	-20 ~ +50								
Central distance		mm	250				280	335	510	640	710
Connection thread			1"1/2,				2"	2"1/2	DN80	DN80	DN100
Weight		kg	5	5	5	5	20	29	54	80	130
Outside casings			Steel	Aluminum	Steel	Aluminum	Quality steel sheet				
Service life		years	10								
Surface painting			Polyester powder plastics coating (gray)								
Index cover			Printed index cover of polycarbonate or index cover of aluminum bezel with glass.								



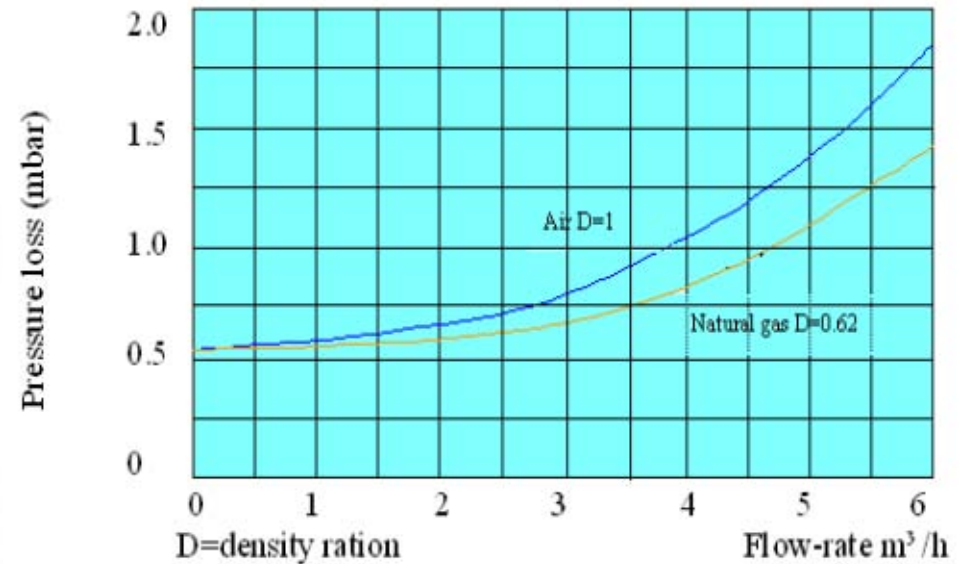
MODEL	A	H	W	D
G6A	250mm	317	340	202
G6S	250mm	329	327	202
G10A	250mm	366	355	205
G10S	250mm	365	327	202
G16	280mm	433	395	285
G25	335mm	534	465	330
G40	510mm	673	710	345
G65	640mm	860	800	410
G100	710mm	1033	910	510



TYPICAL ERROR CURVE



PRESSURE LOSS CURVE



PRODUCT CHARACTERISTICS

1. DOMESTIC MECHANICAL GAS METER: (G1, G1.6, G1.6 (A-I), G1.6 (S), G2.5 (S), G4 (S), G1.6 (A), G2.5 (A), G4 (A))

- 1) ALUMINUM CASE (G SERIES): The top case and central bodies of this mechanical gas meter are die-cast with aluminum-alloy and treated the surface with epoxy resin and polyester powder plastic coating. They have the features of compact size, beautiful appearance, high sensitivity, accurate measurement, good stability, strong reliability, high-pressure resistance, corrosion resistance, longer service life and easier maintenance. They are better suitable for measuring flow-rate mediums of Liquefied petroleum gas, Natural gas, Town gas respectively.
- 2) STEEL CASE (GS SERIES): The outside cases are pressed by the high-quality steel, whole plastic measuring unit which is injection molded by one time with the imported engineering plastic, which design reduce the part numbers of the gas meter; the big rotating valve with 360° rotation has the smaller friction coefficient and better stability, more strength anti-adhesive capability of impurity in gas, higher sensitivity; using the big reading drums with inner gearing have more clear reading for meter transcribers; GS series gas meters have large metrological range, which can measure accurately the flow-rate from Qmin 0.016 m³/h to Qmax 6 m³/h; the valve and valve seat are made of the advanced phenol-formaldehyde synthetic resin with stronger abrasion resistance; the imported diaphragm is made of top quality material has passed 3 million bending test and its service life is more than ten years; the unique design

makes its smaller pressure absorption, much lower than the international specification of 200Pa; being meticulous in design, manufacturer and strict testing and calibration, the product quality and their parameters fully meet and satisfy the specification of China and International Standards; they are better suitable for measuring flow-rate mediums of Liquefied petroleum gas, Natural gas, coal gas and chemical gas respectively.

3) ALUMINUM CASE (GL SERIES): The upper case and lower case are made of die cast aluminum-alloy, together with the independent measuring unit, the meter high-pressure resistance, corrosion resistance, longer service life and easier maintenance.

2. INTELLIGENT INTEGRATIVE PREPAID GAS METERS: (ZG1.6 (A-I), ZG1.6 (S), ZG2.5 (S), ZG4 (S), ZG1.6 (A), ZG2.5 (A), ZG4 (A))

PREPAID GAS METERS (also called smart card gas meter and IC card gas meter) made by HONGKONG SONGYANG INDUSTRIAL LTD. are the new generation gas metrological flow-rate instrument for the urban gas companies and consumers to have the computerized gas supply and the scientific, automatic and regular gas management. Through the IC card the prepaid gas meters can realize the function of money prepayment ahead of gas consumption, and from the LCD of the prepaid gas meter the purchased volume, the surplus volume and other information can be displayed, the meters have reformed the traditional supply and collect fees methods which supply gas first, then send some persons to each residence to get the readings of the meters and get the gas payment later. We supply the prepaid gas meters to Gas Companies and consumers as the updating gas meters with the more modernization, safety, reliability performances and modern management, which can ensure better completely that the benefits of both supplying and demanding sides would not be violated.

The patented product - prepaid gas meter, which designed from the thought of the integration of machinery and electron, is putting the motor valve, electric board and battery into the different chambers of the top case of the gas meters. Besides the parameters of mechanical gas meter and prepaid function, the product also has the functions of alarming and automatic stopping the gas supply system to protect people from gas leakage, overflow and overpressure. They are better suitable for the automatic metrology and prepayment management before the natural gas, town gas and LPG, etc. consumption.

3. PULSE GAS METER FUTURE: (PG1, PG1.6, PG1 (A-I), PG1.6 (A-I), PG1.6 (S), PG2.5 (S), PG4 (S), PG1.6 (A), PG2.5 (A), PG4 (A))

PG series gas meter are the new generation products, which are developed by HONGKONG SONGYANG INDUSTRIAL LTD. for market requirement. This series gas meters have the functions to transform the flow rate revolutions to be the pulse signals. Through micro power magnification and plastic recovery, the pulse signal can be transmitted to remote places, which have the features of remote transmission without any electric consume and any contact points, 4000 Gauss anti-magnet interference and steady signal source. They are especially suitable for the required remote automatic reading system with higher performance.

General speaking the pulse signal can be acquired from some ways of the reed relay or Hall element and digital remote counter, etc. Among them the reed relay pulse signal generators, which are installed a magnet steel in the first decimal drum of the counter and each reed relay on the

upper and lower of the counter frame respectively, will send a pulse signal after one revolution which is just equal to 10 liters gas through gas meters.

4. COMMERCIAL AND INDUSTRIAL GAS METER FEATURES: (G6A, G6S, G10A, G10S, G16, G25, G40, G65 and G100)

The commercial and industrial gas meters made by HONGKONG SONGYANG INDUSTRIAL LTD. are manufactured with the European up-to-date technology for big meters; they have the features of compact size, beautiful appearance, high sensitivity, accurate measurement, good stability, strong reliability, high-pressure resistance, corrosion resistance, longer service life and easier maintenance. They are better suitable for measuring flow-rate mediums of LPG, natural gas, coal gas and chemical gas. We can supply the mechanical or prepaid commercial and industrial gas meters according to the requirement.

GAS METER WORKSHOP PANORAMA AND ASSEMBLING PRODUCTION LINES



ULTRASONICS WELDER FOR DIAPHRAGM ASSEMBLING



INTERNAL LEAKAGE TESTING INSTRUMENT



PRESSURE LOSS TESTING INSTRUMENT



AUTOMATIC GELATINIZING MACHINE (BY COMPUTER)



AUTOMATIC SONIC NOZZLE CALIBRATOR



ELECTRONIC BELL PROVER AND TESTING STAND



EXTERNAL LEAKAGE TESTING MACHINE



PACKING MACHINE



ONE CARD FOR THREE METERS SYSTEM INTRODUCTION:

One card for three meters system (OCTMS) is a computerized system collecting the prepayment for the prepaid electronic meter, prepaid gas meter and prepaid water meter only with one smart card. It is very efficient and convenient for every consumer to just use one card to pay all bills of electricity, gas and water meters, which also simplifies the managing processes for the metering administration authorities concerned.

FEATURES:

- One card for multiple meters (max. for six meters)
- Capable of the management of prepaid electricity meter, prepaid gas meter and prepaid water meter.
- Prepayment via smart card
- One card for one consumer to keep high confidentiality
- No any disturbance between the modules of electricity, gas and water meters
- System functions including opening a new account, testing, digit display, resetting, billing, daily data management, and computing capability

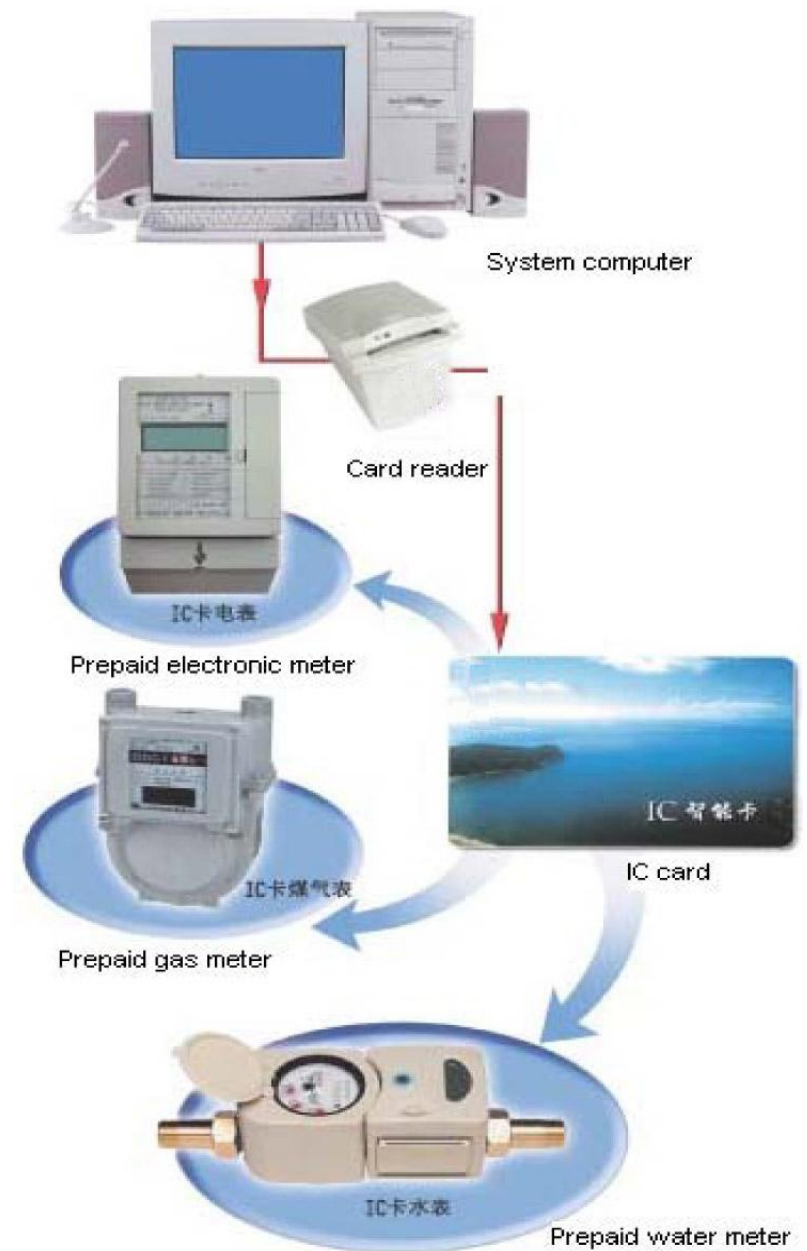
REMOTE CONTROL SYSTEM FOR THREE METERS:

Modern intellectualized residential areas (IRA) have created qualified living environment for the human beings. While how to scientifically manage the processes of electricity, gas and water consumption that have the closed relationship with people's daily life and work is one of the most crucial projects the IRA face. Here is one of the best solutions for IRA to solve the billing issues of three kinds of meters- by using communications and computerized technology to manage and control.

STRUCTURE:

Use 485 communication ports to collect data from end user's terminals (smart electricity, gas and water meters), one group of 60 single meter users or one group of 20 three meters users as one basic unit to the data collectors. Using LAN communication network to connect the data collecting units (data collector,

process management computer, etc., 63 data collectors as one district, can add more data collectors through increasing LAN routers) into the process management computer. Adopt IP network communication ways to connect data collecting units to the master station.

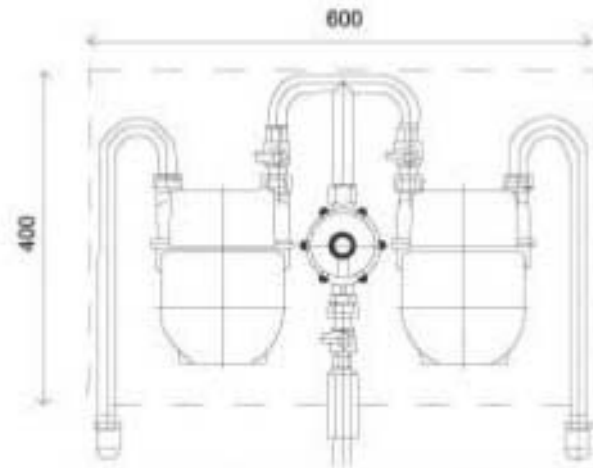


FUNCTION:

End-users Management, Constant Setting, Reading Data Computing, Data Management, Information Inquiry, Network Management, Data Printing, System Management (including end-users control) etc.

INSTALLATION INSTRUCTION:

- The gas meter should be checked against leakage with air prior to the installation by inflating pressurized maximum 50 kPa. No flaming object allowed for checking on the gas pipe. Never use inflammable, explosive or poisonous gas.
- The gas meter should be installed levelly in the higher position of the pipe to protect from the condensate.
- The gas meter should be installed in a dry and draught place and far away from fire at least 1.5m. Forbidden putting it up in bedroom or bathroom.
- The gas meters have two inlet structures of left inlet and right inlet. Attention the flow direction arrow atop the cases is required in precaution against reverse connection (Built-in reverse-proof device inside).
- The air should be exhausted from gas meter and pipe before ignition.
- Bumping, inverting or dampening should be prohibited in storage and transportation.



CONTACT WITH US:

HONGKONG SONGYANG INDUSTRIAL LIMITED

HEAD OFFICE:

Add: Room 1507, 15/F., Emperor Group Centre, 288 Hennessy Road, Wanchai, Hong Kong.

Tel: 00852-25732686

Fax: 00852-25742060

CHINA OFFICE:

Add: RM. 1607, JUNHAOGE, ORIGENT GARDEN, No. 45 CHAOWAN ROAD, HANGZHOU

Tel: 0086-571-85394178, 85393435, 85391465, 85301329

Fax: 0086-571-85301324

INDIA AGENT:

M/s Abacus Technologies

Add: C-6 CEL Apartments Vasundhara Enclave, Delhi, 110096, India

Tel: 0091-9810363260

Website: <http://www.songyangmeter.com>

E-mail: sales@songyangmeter.com